

Designated by Ministry of international Trade and industry

**KANSAI ELECTRONIC INDUSTRY DEVELOPMENT CENTER**

HEAD OFFICE  
6-8-7 NISHITENMA  
KITA-KU OSAKA 530-0047 JAPAN

*Corporate Juridical Person*

IKOMA TESTING LABORATORY  
12128 TAKAYAMA-CHO  
IKOMA-CITY NARA 630-0101 JAPAN

**TEST REPORT****Report No.A-043-99-C****Date: 12 January 2000**

This test report is to certify that the tested device properly complies with the requirements of:

FCC Rules and Regulations Part 15 Subpart B Unintentional Radiators.

All the tests necessary to show compliance to the requirements were performed and these results met the specifications of requirement. The results of this report should not be construed to imply compliance of equipment other than that, which was tested. Unless the laboratory permission, this report should not be copied in part.

**1. Applicant**

Company Name : MITUBISHI ELECTRIC CORP.  
Audio-Visual Systems Business Division

Mailing Address : 1 Baba-Zusyo Nagaokakyo-City Kyoto 617-8550 Japan

**2. Identification of Tested Device**

Type of Device : TV Interface Device  
Kind of Equipment Authorization : : DoC : Certification : Verification  
FCC ID : BGBHS-U776  
Device Name : Video Cassette Recorder (Test for RF Modulator)  
Trade Name : MITSUBISHI  
Model Number : HS-U776  
Serial Number : P003 : Prototype : Pre-production : Production  
Date of Manufacture : November 1999

**3. Test Items and Procedure**

: AC Power Line Conducted Emission Measurement  
: Radiated Emission Measurement  
: Output Signal Level Measurement  
: Output Terminal Conducted Spurious Emission Measurement  
: Transfer Switch Measurement

Above all tests were performed under: ANSI C63.4 – 1992

: without deviation, : with deviation(details are found inside of this report)

**4. Date of Test**

Receipt of Test Sample : 6 September 1999  
Test Completed on : 22 December 1999

Fumitoshi Nagaoka  
Associate Director/ Ikoma Testing Laboratory

Table of Contents

0.	NVLAP ACCREDITATION AND MEASUREMENT UNCERTAINTY .....	3
0.1.	NVLAP Accreditation .....	3
0.2.	Measurement Uncertainty .....	3
1.	CERTIFICATION OF THE COMPLIANCE .....	3
2.	GENERAL INFORMATION .....	4
2.1.	Product Description .....	4
2.2.	Description for Equipment Authorization .....	5
2.3.	Test Facility.....	5
3.	TESTED SYSTEM.....	6
3.1.	Test Mode .....	6
3.2.	Operation of EUT System .....	7
3.3.	Characterization and condition of EUT System .....	7
3.4.	BlockDiagram of EUT System.....	8
3.5.	List of Cables.....	12
4.	AC POWER LINE CONDUCTED EMISSION MEASUREMENT .....	13
4.1.	Test Procedure.....	13
4.2.	Test Results.....	14
4.3.	Photographs of EUT System Configuration .....	15
5.	RADIATED EMISSION MEASUREMENT .....	19
5.1.	Test Procedure.....	19
5.2.	Test Results.....	20
5.3.	Photographs of EUT System Configuration .....	21
6.	OUTPUT SIGNAL LEVEL MEASUREMENT.....	25
6.1.	Test Procedure.....	25
6.2.	Test Results.....	26
6.3.	Photographs of EUT System Configuration .....	27
7.	OUTPUT TERMINAL CONDUCTED SOURIOUS EMISSION MEASUREMENT ..	29
7.1.	Test Procedure.....	29
7.2.	Test Results.....	30
7.3.	Photographs of EUT System Configuration .....	31
8.	TRANSFER SWITCH MEASUREMENT .....	32
8.1.	Test Procedure.....	32
8.2.	Test Results.....	33
8.3.	Photographs of EUT System Configuration .....	34
9.	LIST OF TEST EQUIPMENTS.....	36

## 0. NVLAP ACCREDITATION AND MEASUREMENT UNCERTAINTY

### 0.1. NVLAP Accreditation

KEC is accredited by the National Voluntary Accreditation Program for the specific scope of accreditation under Lab Code: 200207-0.

When a test report concerns with the NVLAP Accreditation test, the first page of the test report is signed by NVLAP Approved Signatory together with the expression.

The report must not be used by the client to claim product endorsement by NVLAP or any agency of the U.S. Government.

### 0.2. Measurement Uncertainty

The result of a measurement is only an approximation or estimate of the value of a specific quantity. And thus the measurand is complete only when a statement of uncertainty is given.

KEC quotes Measurement Uncertainty (U)

of +/- 4.9 dB for Radiated Emissions

of +/- 2.2 dB for Conducted Emissions

of +/- 1.5 dB for Output Signal Level

of +/- 2.6 dB for Output Terminal Conducted Spurious Emission and

of +/- 2.2 dB for Transfer Switch Measurement

## 1. CERTIFICATION OF THE COMPLIANCE

This test report is to certify that the tested device properly complies with the requirements of FCC Rules and Regulations Part 15 Subpart B Unintentional Radiators.

KEC evaluation criteria for compliance:

The Product complies, if

the measured results are below the specification limit by a margin more than or equal to

1/2 U (2.5 dB) for Radiated Emissions

U (2.2 dB) for Conducted Emissions

U (1.5 dB) for Output Signal Level

U (2.6 dB) for Output Terminal Conducted Spurious Emission and

U (2.2 dB) for Transfer Switch Measurement.

## 2. GENERAL INFORMATION

### 2.1. Product Description

The MITSUBISHI Model No.HS-U776 (referred to as the EUT in this report) is a Video Cassette Recorder containing RF modulator and Tuner.

#### (1) Specification

- RF Modulator Frequency : US CH. #3 Visual Carrier 61.25 MHz,  
Aural Carrier 65.75 MHz  
: US CH. #4 Visual Carrier 67.25 MHz,  
Aural Carrier 71.75 MHz
- Type of RF Output Connector : Type "F" Connector 75Ω (Unbalanced)

#### (2) Provided terminal

- ANT Input Terminal
- ANT Output Terminal
- A/V Input Terminals (rear and front side)
- A/V Output Terminals
- ACTIVE AV NETWORK Input Terminal
- ACTIVE AV NETWORK Output Terminal
- CABLE BOX CONT Terminal
- S-Video Input Terminal
- S-Video Output Terminal

#### (3) Used Oscillating Frequencies

- 12.000 MHz : QUARTZ-CRYSTAL CLOCK
- 4.000 MHz : CERAMIC-OSC  $\mu$ -COM CLOCK
- 3.579545 MHz : QUARTZ-CRYSTAL CHROMA-OSC
- 32.768 kHz : QUARTZ-CRYSTAL TIMER CLOCK

#### (4) Rated Power Supply : AC 120 V, 60Hz

## 2.2. Description for Equipment Authorization

(1) Type of device	: <input checked="" type="checkbox"/> TV Interface Device
(2) Reference Rule and Specification	: FCC Rule Part 15 <input checked="" type="checkbox"/> Section 15.107 (a) <input checked="" type="checkbox"/> Section 15.109 (a)(c) and Section 15.115 (a) <input checked="" type="checkbox"/> Section 15.115 (b)(1)(ii),(b)(2)(ii) and(c)(1)(ii)
(3) Kind of Equipment Authorization	: <input type="checkbox"/> DoC <input checked="" type="checkbox"/> Certification <input type="checkbox"/> Verification
(4) Procedure of Application	: <input checked="" type="checkbox"/> Original Equipment <input type="checkbox"/> Modification
(5) Highest Frequency used in the Device	: 71.75 MHz
(6) Upper Frequency of Radiated Emission Measurement Range	: <input checked="" type="checkbox"/> 1000 MHz <input type="checkbox"/> 2000 MHz <input type="checkbox"/> 5000 MHz

## 2.3. Test Facility

All tests described in this report were performed by:	
Name:	KANSAI ELECTRONIC INDUSTRY DEVELOPMENT CENTER (KEC) IKOMA TESTING LABORATORY
Open Area TestSite	<input type="checkbox"/> No.1 <input type="checkbox"/> No.2 <input type="checkbox"/> No.3 <input type="checkbox"/> No.4
EMC M.C. Anechoic Chamber	<input checked="" type="checkbox"/> No.1
Shielded Room	<input type="checkbox"/> No.2 <input checked="" type="checkbox"/> No.4 <input type="checkbox"/> EMC M.C. Shielded Room
Address:	12128, Takayama-cho Ikoma-city, Nara, 630-0101 Japan
<p>These test facilities have been filed with the FCC under the criteria of ANSI C63.4-1992. The Open Area Test Site No.4, EMC MC. Anechoic Chamber No.1, Shielded Room No.4 and EMC MC. Shielded Room have been accredited by the NVLAP (Lab. Code: 200207-0) based on ISO/IEC Guide 25.</p> <p>Also the laboratory has been authorized by ITI (Interference Technology International, (UK), TUV Product Service (GER) and TUV Rheinland (GER) based on their criteria for testing laboratory (EN45001).</p>	

### 3. TESTED SYSTEM

#### 3.1. Test Mode

In each measurement (excluding antenna transfer switch measurement), the compliance tests were performed under following seven EUT operation modes.

In transfer switch measurement, it was done under six modes ( a – e ).

- a. Playback mode  
Playback the video tape that is recorded 1V peak-to-peak VITS signal.
- b. Record mode (1V VITS Signal Input)  
1V peak-to-peak VITS signal is supplied through the VIDEO IN 1(rear side) terminal.
- c. Record mode (5V VITS Signal Input)  
5V peak-to-peak VITS signal is supplied through the VIDEO IN 1(rear side) terminal.
- d. Record mode (1V VITS Signal Input)  
1V peak-to-peak VITS signal is supplied through the VIDEO IN 1(front side) terminal.
- e. Record mode (5V VITS Signal Input)  
5V peak-to-peak VITS signal is supplied through the VIDEO IN 1(front side) terminal.
- f. Record mode (0 dBmV NTSC TV Signal Input)  
NTSC TV U.S. channel 13 (consist of visual carrier and aural carrier) is supplied through the ANTENNA IN terminal.  
[ Note ]
  - 1) Visual Carrier (0 dBmV at 211.25 MHz) is modulated by 1V peak-to-peak VITS signal.
  - 2) Aural Carrier (-10 dBmV at 215.75 MHz) is not modulated.
- g. Record mode (25 dBmV NTSC TV Signal Input)  
NTSC TV U.S. channel 13 (consist of visual carrier and aural carrier) is supplied through the ANTENNA IN terminal.  
[ Note ]
  - 1) Visual Carrier (25 dBmV at 211.25 MHz) is modulated by 1V peak-to-peak VITS signal.
  - 2) Aural Carrier (15 dBmV at 215.75 MHz) is not modulated.

In each mode, the spectrum was checked and the data of the maximum EUT operation was reported.

### 3.2. Operation of EUT System

1) Playback mode

Playback the video tape that is recorded 1V peak-to-peak VITS signal.

2) Record mode (1V / 5V VITS Signal Input)

1V/5V peak-to-peak VITS signal is supplied through the VIDEO IN terminal, if applicable.

3) Record mode (0 dBmV / 25 dBmV NTSC TV Signal Input)

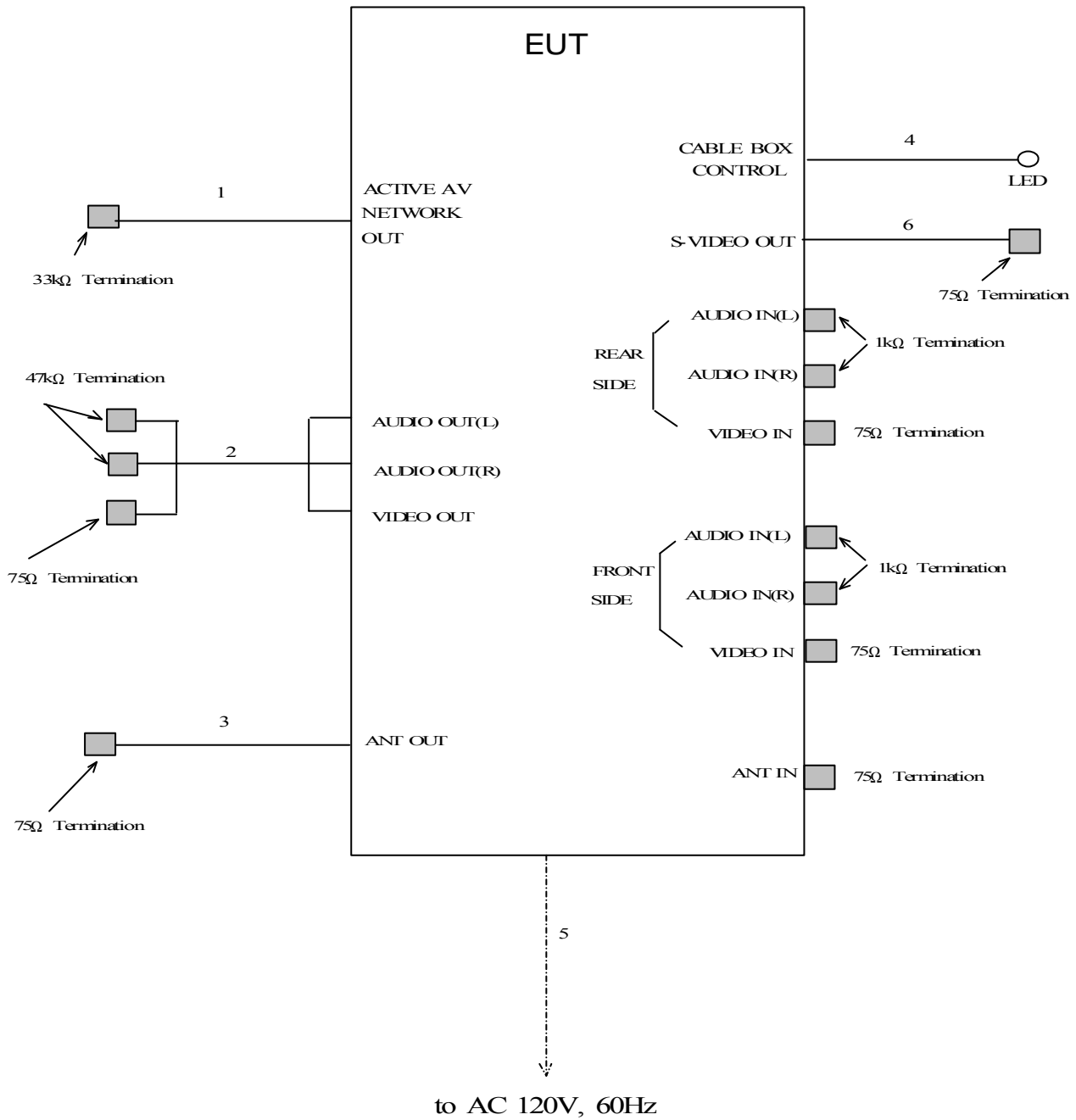
NTSC TV U.S. channel 13 (consist of visual carrier and aural carrier) is supplied through the ANTENNA IN terminal, if applicable.

### 3.3. Characterization and condition of EUT System

: normal ,  : not normal (that is )

3.4. BlockDiagram of EUT System  
(for Conducted and Radiated Emission Measurements)

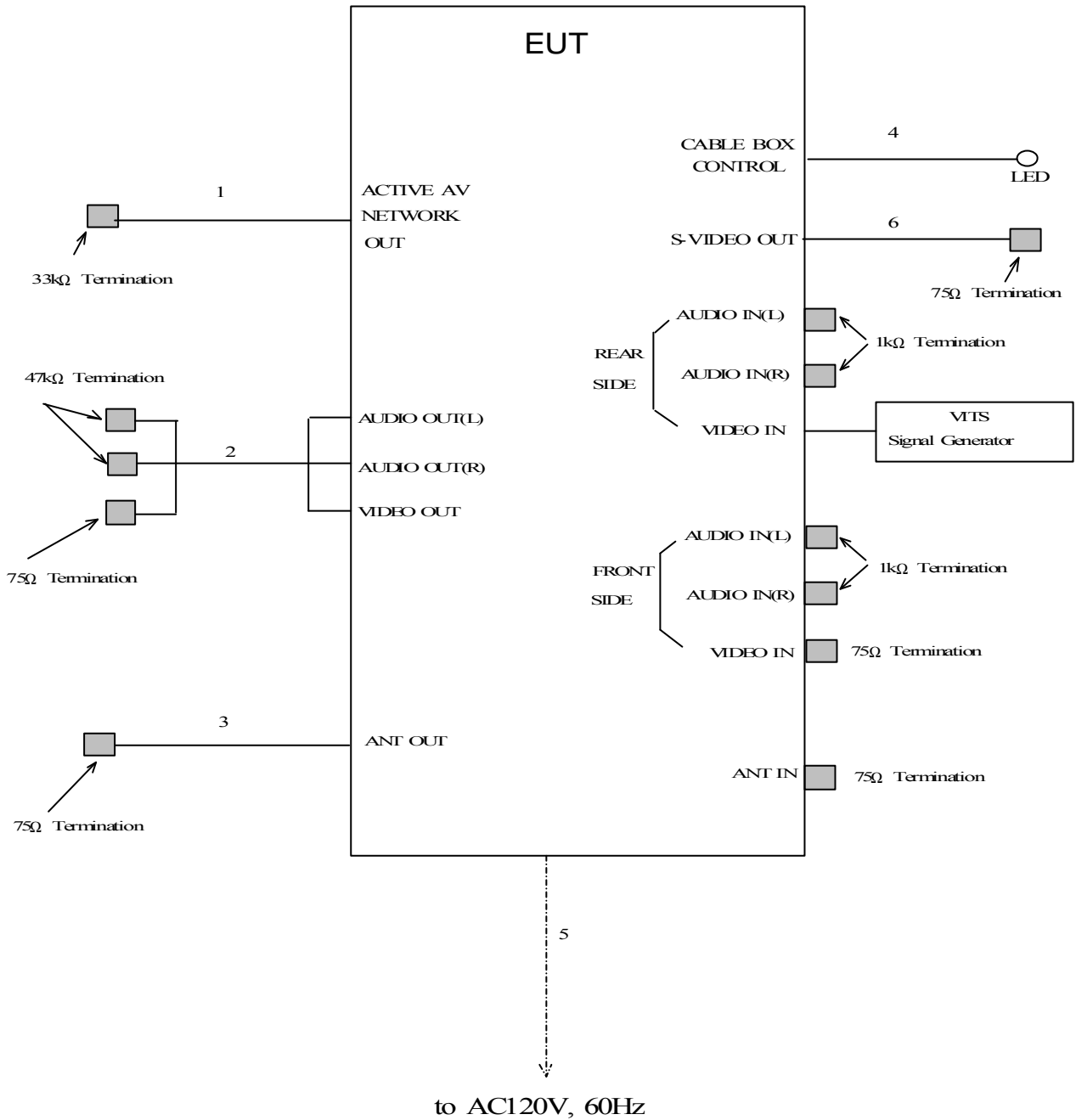
a. Playback mode





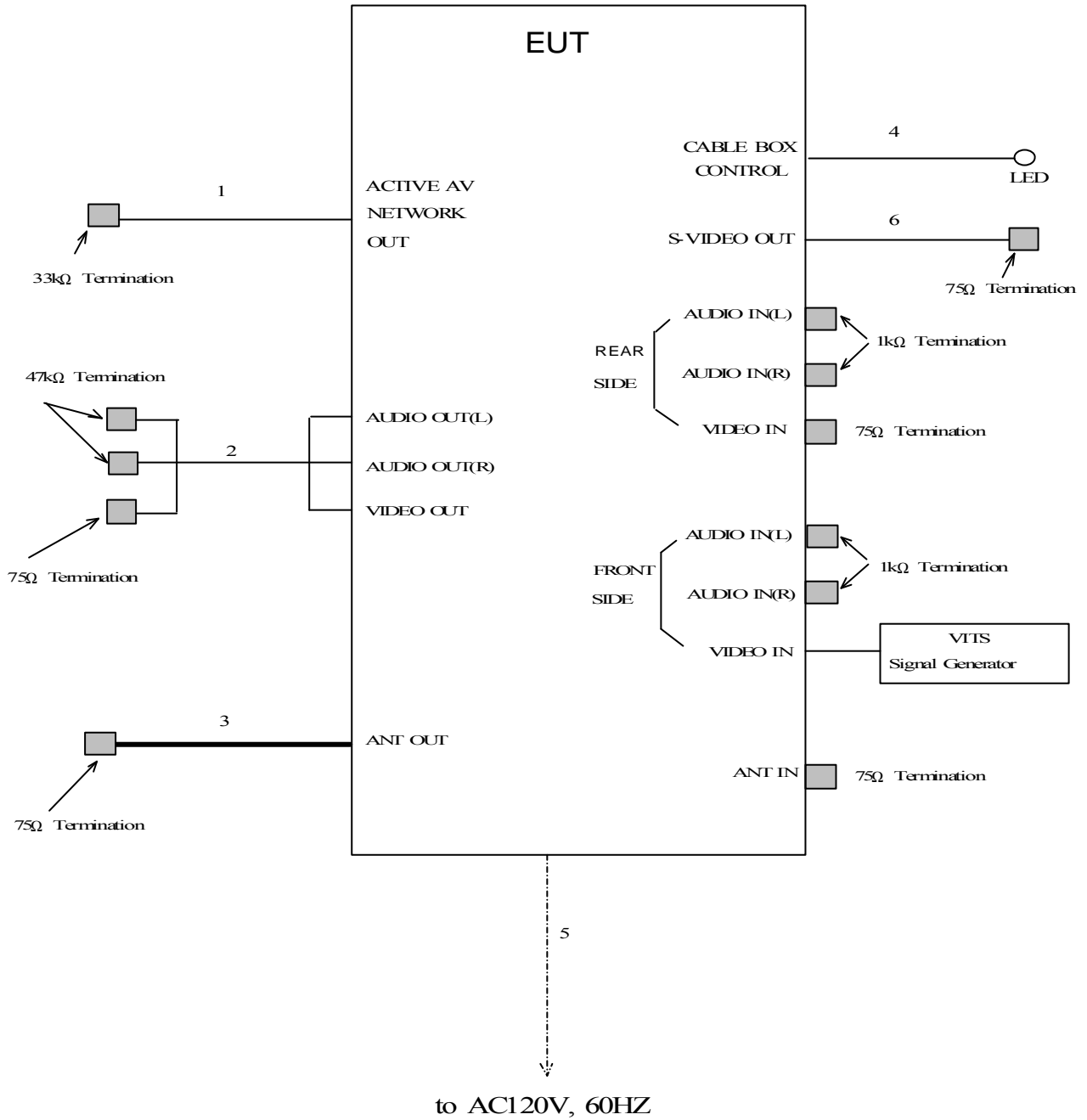
- Continued -

- b. Record mode (1V VITS Signal Input)
- c. Record mode (5V VITS Signal Input)



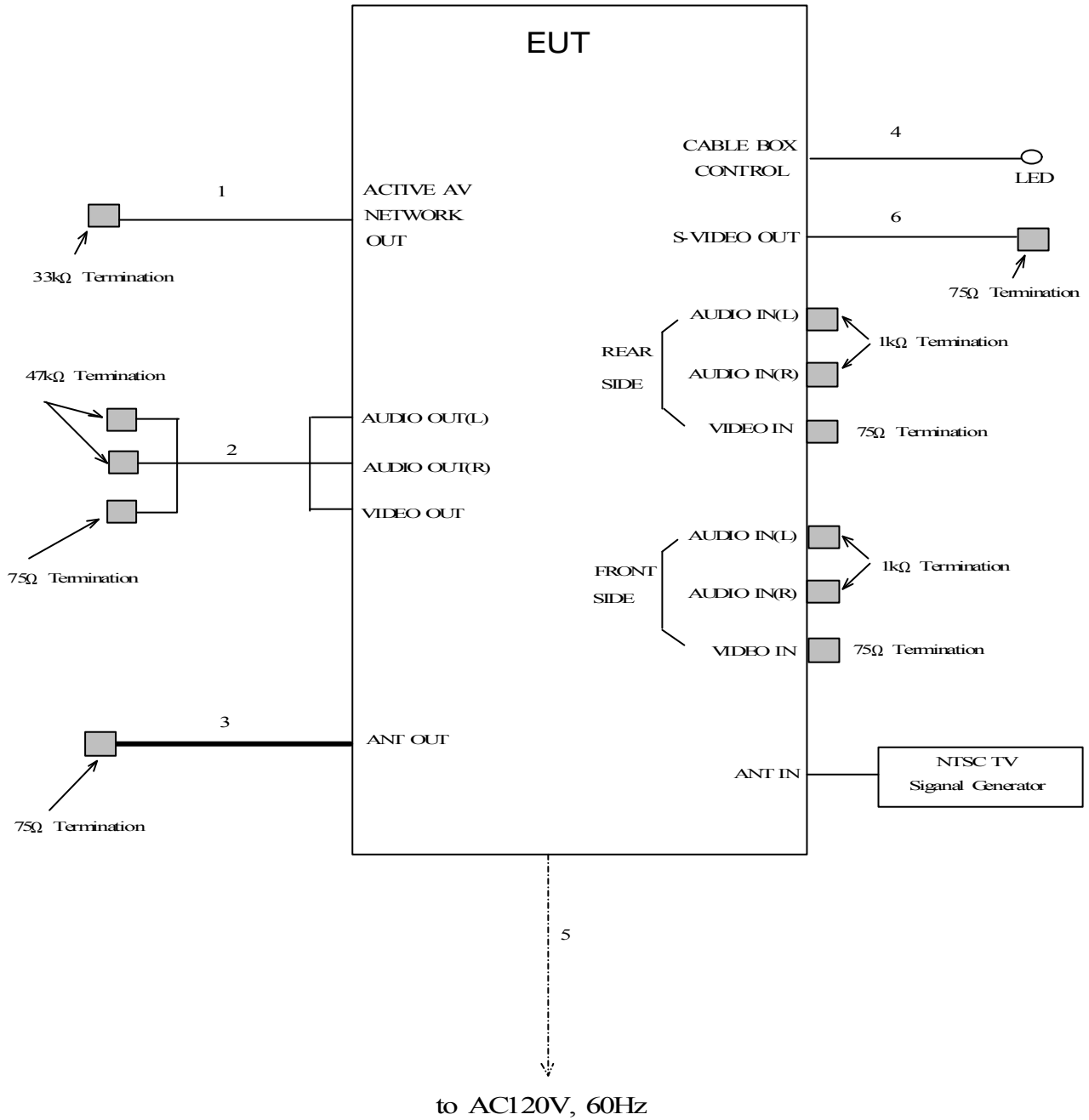
- Continued -

- d. Record mode ( 1V VITS Signal Input)
- e. Record mode ( 5V VITS Signal Input)



- Continued -

- f. Record mode ( 0 dBmV NTSC TV Signal Input)
- g. Record mode (25 dBmV NTSC TV Signal Input)



[Note]  
See 3.5 List of Cables.

## 3.5. List of Cables

No	Cable Name	Model Number (Trade Name)	Shielded (Y/N)	Length ( m )	Note	Remark
1	ACTIVE AV NETWORK Out Cable		Y	1.5	mini jack plug	
2	A/V Cables		Y	1.45	RCA Plug	(1)
3	ANT OUT Cable		Y	1.45	Coaxical type	(1)
4	CABLE BOX CONTROL Cable		Y	1.9	Permanently attached to LED one- end mini jack plug	(1)
5	AC Power Cord		N	1.85	2-wires type, permanently attached to EUT	
6	S-VIDEO OUT Cable		Y	1.45		(1)

[ Remark ]

(1) : Accessory cable of EUT

#### 4. AC POWER LINE CONDUCTED EMISSION MEASUREMENT

##### 4.1. Test Procedure

<p>(1) Configure the EUT System in accordance with ANSI C63.4-1992 section 7.  <input checked="" type="checkbox"/>: without deviation, <input type="checkbox"/>: with deviation(details are found below)          See also the block diagram and the photographs of EUT System configuration in this report.</p> <p>(2) Connect the EUT's AC power cord to one Line Impedance Stabilization Network (LISN).</p> <p>(3) Any other power cord of other equipment is connected to a LISN different from the LISN used for the EUT.</p> <p>(4) Warm up the EUT System.</p> <p>(5) Activate the EUT System and run the software prepared for the test, if necessary.</p> <p>(6) Connect the spectrum analyzer (*1) to the measuring port of the LISN for the EUT, using a calibrated coaxial cable.</p> <p>(7) To find out an EUT System condition, which produces the maximum emission, the configuration of EUT System, the position of the cables, and the operation mode, are changed under normal usage of the EUT.</p> <p>(8) <b>The spectrums are scanned from 450 kHz to 30 MHz and collect the six highest emissions minimum on the spectrum analyzer relative to the limits in the whole range.</b></p> <p>(9) The test receiver (*2) is connected to the LISN for the EUT, and the six highest emissions minimum recorded above are measured.</p>	<p>[Note]</p> <p>(*1) Spectrum Analyzer Set Up Conditions              Frequency range           : 450 kHz - 30 MHz              Resolution bandwidth    : 10 kHz              Video bandwidth         : 1 MHz              Detector function : Peak mode</p> <p>(*2) Test Receiver Set Up Conditions              Detector function        : Quasi-Peak/ Average (if necessary)              IF bandwidth             : 10 kHz</p>
---	---

## 4.2. Test Results

Measured Frequency ( MHz )	LISN Factor ( dB )	Meter Reading		Maximum RF Voltage ( dBmV )	Limits ( dBmV )	Margin for Limits ( dB )
		Va ( dBmV )	Vb ( dBmV )			
0.450	0.3	40.0	41.7	42.0	48.0	6.0
1.432	0.3	41.3	41.1	41.6	48.0	6.4
2.014	0.3	37.6	37.4	37.3	48.0	10.1
2.848	0.3	40.2	39.9	40.5	48.0	7.5
3.493	0.4	38.1	37.8	35.6	48.0	9.5
23.999	1.1	31.7	33.1	34.2	48.0	13.8

[Calculation method]

Maximum RF Voltage (dB $\mu$ V)

= Meter Reading ( at maximum level of Va, Vb ) + LISN Factor (dB)

[Note]

- (1) LISN Correction Factor includes the cable loss.
- (2) The emissions at channel #3 were nearly equal to channel #4.
- (3) The spectrum was checked in each test mode and operation mode, and the data of the maximum EUT operation was reported.

[ Environment ]

Temperature 21°C Humidity 31%

[ Tested Date / Tester ]

22 December 1999

Signature

  
Yoshiko Kotani

### 4.3. Photographs of EUT System Configuration

#### a. Playback Mode

FRONT VIEW



SIDE VIEW



- Continued -
  - b. Record mode (1V VITS Signal Input)
  - c. Record mode (5V VITS Signal Input)

FRONT VIEW



SIDE VIEW





- Continued -

d. Record mode (1V VITS Signal Input)

e. Record mode (5V VITS Signal Input)

FRONT VIEW



SIDE VIEW



- Continued -

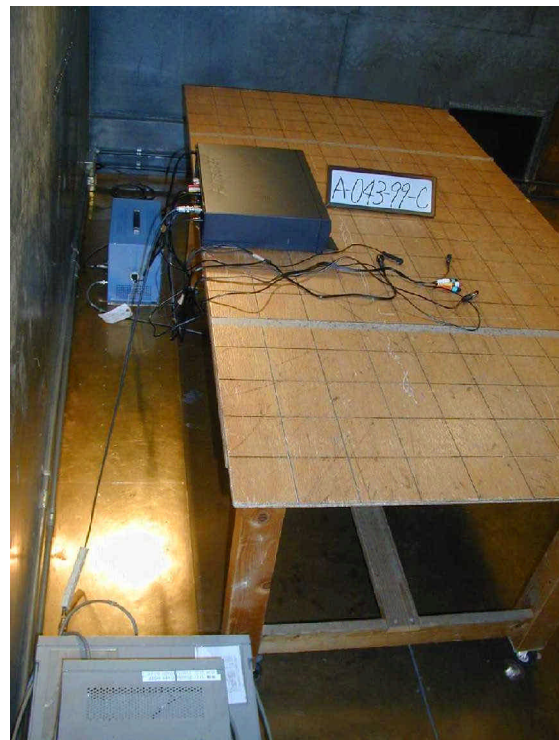
f. Record mode ( 0 dBmV NTSC TV Signal Input)

g. Record mode (25 dBmV NTSC TV Signal Input)

FRONT VIEW



SIDE VIEW



## 5. RADIATED EMISSION MEASUREMENT

### 5.1. Test Procedure

<p>(1) Configure the EUT System in accordance with ANSI C63.4-1992 section 8.  <input checked="" type="checkbox"/>: without deviation, <input type="checkbox"/>: with deviation(details are found below)          See also the block diagram and the photographs of EUT System configuration in this report.</p> <p>(2) If the EUT system is connected to a public power network, all power cords for the EUT System are connected the receptacle on the turntable.</p> <p>(3) Warm up the EUT System.</p> <p>(4) Activate the EUT System and run the prepared software for the test, if necessary.</p> <p>(5) To find out the emissions of the EUT System, preliminary radiated measurement are performed at a closer distance than that specified for final radiated measurement using the spectrum analyzer (*1) and the broad band antenna.          In the frequency above 1 GHz, it is performed using the spectrum analyzer (*2) and the horn antenna.</p> <p>(6) To find out an EUT System condition, which produces the maximum emission, the configuration of EUT System, the position of the cables, and the operation mode, are changed under normal usage of the EUT.</p> <p>(7) The spectrums are scanned from 30 MHz to the upper frequency of measurement range, and collect the six highest emissions minimum on the spectrum analyzer relative to the limits in the whole range.</p> <p>(8) In final compliance test, the six highest emissions minimum, recorded above, are measured at the specified distance using the broad band antenna or the tuned dipole antenna and the test receiver (*3).          In the frequency above 1 GHz, the measurements are performed by the horn antenna and <input type="checkbox"/> the test receiver (*4).  <input type="checkbox"/> the spectrum analyzer(*2) with pre-amplifier.</p>	<p>[Note]</p> <p>(*1) Spectrum Analyzer Set Up Conditions          Frequency range : 30 - 1000 MHz          Resolution bandwidth : 100 kHz          Detector function : Peak mode</p> <p>(*2) Spectrum Analyzer Set Up Conditions          Frequency range : 1 GHz - Upper frequency of measurement range          Resolution bandwidth : 1 MHz          Video bandwidth : 1 MHz          Attenuator : 10 dB          Detector function : Peak mode</p> <p>(*3) Test Receiver Set Up Conditions          Frequency range : 30 - 1000 MHz          Detector function : Quasi-Peak          IF bandwidth : 120 kHz</p> <p>(*4) Test Receiver Set Up Conditions          Frequency range : 1 GHz - Upper frequency of measurement range          Detector function : Average          IF bandwidth : 1 MHz</p>
---	---

## 5.2. Test Results

Measurement Distance : 3m : 10m

Measured Frequency ( MHz )	Antenna Factor ( dB/m )	Meter Reading		Maximum Field Strength ( dBmV/m )	Limits ( dBmV/m )	Margin for Limits ( dB )
		Horizontal ( dBmV )	Vertical ( dBmV )			
<b>Test Channel #3</b>						
61.25	10.0	4.3	3.2	14.3	40.0	25.7
65.75	9.5	8.9	10.7	20.2	40.0	19.8
122.50	16.0	2.6	9.0	25.0	43.5	18.5
245.00	21.7	<0.0	<0.0	<21.7	46.0	>24.3
<b>Test Channel #4</b>						
67.25	9.3	9.4	11.9	21.2	40.0	18.8
71.75	8.9	4.1	9.0	17.9	40.0	22.1
134.50	17.2	<0.0	1.0	18.2	43.5	25.3
201.75	20.7	<0.0	<0.0	<20.7	43.5	>22.8
<b>Other emissions</b>						
71.60	8.9	17.6	22.0	30.9	40.0	9.1
75.16	8.9	17.7	25.8	34.7	40.0	5.3
78.77	8.9	16.6	23.7	32.6	40.0	7.4
90.64	11.0	14.1	16.7	27.7	43.5	15.8
114.55	15.0	14.8	17.3	32.3	43.5	11.2
120.84	15.8	15.2	17.2	33.0	43.5	10.5
229.09	21.3	13.2	10.1	34.5	46.0	11.5
458.22	23.1	16.1	16.5	39.6	46.0	6.4

[Note]

- (1) Antenna Factor includes the cable loss.
- (2) \* mark in Measured Frequency : Measured with the tuned dipole antenna.  
no mark in Measured Frequency : Measured with the broadband antenna.
- (3) The spectrum was checked in each test mode and operation mode, and the data of the maximum EUT operation was reported.

[Calculation method]

Maximum Field Strength (dB $\mu$ V/m)= Meter Reading (at maximum level of Horizontal or Vertical) (dB $\mu$ V) + Antenna Factor (dB)

[Environment]

Temperature: 21°C

Humidity: 57%

[Tested Date/ Tester]

14 December 1999

Signature


  
Yoshiko Kotani



### 5.3. Photographs of EUT System Configuration

#### a. Playback Mode

FRONT VIEW



REAR VIEW

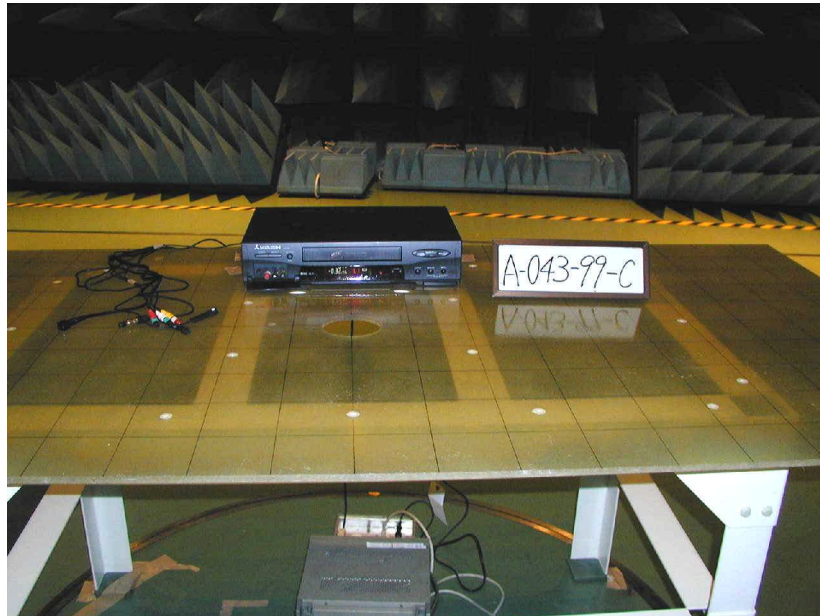


- Continued -

b. Record mode (1V VITS Signal Input)

c. Record mode (5V VITS Signal Input)

FRONT VIEW



REAR VIEW



- Continued -

d. Record mode (1V VITS Signal Input)

e. Record mode (5V VITS Signal Input)

FRONT VIEW



REAR VIEW





- Continued -

- f. Record mode ( 0 dBmV NTSC TV Signal Input)
- g. Record mode (25 dBmV NTSC TV Signal Input)

FRONT VIEW



REAR VIEW





## 6. OUTPUT SIGNAL LEVEL MEASUREMENT

### 6.1. Test Procedure

- (1) Configure the EUT System in accordance with ANSI C63.4-1992 section 12.2.  
 : without deviation,  : with deviation(details are found below)  
See also the block diagram and the photographs of EUT System configuration in this report.
- (2) Unused RF input/output terminals are terminated in the proper impedance.
- (3) Activate the EUT system.
- (4) Set the spectrum analyzer as follows.

Frequency Span	: 1 MHz
Resolution bandwidth	: 100 kHz
Video bandwidth	: 3 MHz
Detector function	: Peak mode
- (5) The RF output terminal is connected to the spectrum analyzer through the matching transformer with a calibrated 50  $\Omega$  coaxial cable.
- (6) Then, the RF output signal level is measured under the EUT condition produced the maximum signal level.

## 6.2. Test Results

Emission Frequency [MHz]	Correction Factor [dB]	Meter Reading [dB $\mu$ V/50 $\Omega$ ]	Maximum Signal Level [dB $\mu$ V/75 $\Omega$ ]	Limits [dB $\mu$ V/75 $\Omega$ ]
<b><u>Test Channel #3</u></b>				
61.25	6.1	59.6	65.7	69.5
65.75	6.1	43.1	49.2	56.5
<b><u>Test Channel #4</u></b>				
67.25	6.1	59.1	65.2	69.5
71.75	6.1	42.1	48.2	56.5

## [Note]

- (1) The correction factor consist of the voltage loss of the impedance matching transformer and the coaxial cable used for the test.
- (2) The spectrum was checked in each test mode and operation mode, and the data of the maximum EUT operation was reported.
- (3) The spectrum was checked in each test mode and operation mode, and the data of the maximum EUT operation was reported.

## [Calculation method]

$$\begin{aligned} & \text{Maximum Signal Level (dB}\mu\text{V/75}\Omega\text{)} \\ & = \text{Meter Reading (dB}\mu\text{V/50}\Omega\text{)} + \text{Correction Factor (dB)} \end{aligned}$$

## [Environment]

Temperature: 25°C

Humidity: 40%

## [Summary of Test Results]

Minimum margin was 3.8 dB at 61.25 MHz, test channel #3

## [Tested Date/ Tester]

21 December 1999

Signature



Yoshiko Kotani

### 6.3. Photographs of EUT System Configuration

#### REAR VIEW

##### a. Playback Mode



##### b. Record mode (1V VITS Signal Input)

##### c. Record mode (5V VITS Signal Input)



- Continued -

REAR VIEW

- d. Record mode (1V VITS Signal Input)
- e. Record mode (5V VITS Signal Input)



- f. Record mode ( 0 dBmV NTSC TV Signal Input)
- g. Record mode (25 dBmV NTSC TV Signal Input)



## 7. OUTPUT TERMINAL CONDUCTED SOURIOUS EMISSION MEASUREMENT

### 7.1. Test Procedure

- (1) Configure the EUT System in accordance with ANSI C63.4-1992 section 12.2.  
 : without deviation,  : with deviation(details are found below)  
See also the block diagram and the photographs of EUT System configuration in this report.
- (2) Unused RF input/output terminals are terminated in the proper impedance.
- (3) Activate the EUT system.
- (4) Set the spectrum analyzer as follows.

Frequency Span	: 1 MHz
Resolution bandwidth	: 100 kHz
Video bandwidth	: 3 MHz
Detector function	: Peak mode
- (5) The RF output terminal is connected to the spectrum analyzer through the matching transformer with a calibrated 50  $\Omega$  coaxial cable.
- (6) The spectrum was scanned from 30 MHz to more than 4.6 MHz below the visual carrier frequency, and from more than 7.4 MHz above the visual carrier frequency to 1000 MHz, and the three highest emissions are selected under the EUT condition produced the maximum signal level at each frequency range.
- (7) Then, the RF output terminal conducted spurious emission level is measured under the EUT condition produced the maximum signal level.

## 7.2. Test Results

Emission Frequency [MHz]	Correction Factor [dB]	Meter Reading [dBu V/50Ω]	Maximum Signal Level [dBu V/75Ω]	Limits [dBu V/75Ω]
<b><u>Test Channel #3</u></b>				
54.29	6.1	13.0	19.1	39.5
55.34	6.1	17.4	23.5	39.5
56.65	6.1	34.7	40.8	39.5
68.65	6.1	9.6	15.7	39.5
74.75	6.1	6.3	12.4	39.5
183.75	6.1	6.6	12.7	39.5
** 56.65	6.1	8.5	14.6	39.5
<b><u>Test Channel #4</u></b>				
53.75	6.1	8.4	14.5	39.5
61.34	6.1	16.6	22.7	39.5
62.65	6.1	34.2	40.3	39.5
74.65	6.1	8.5	14.6	39.5
80.75	6.1	5.4	11.5	39.5
201.75	6.1	6.9	13.0	39.5
** 62.65	6.1	9.2	15.3	39.5

## [Note]

- (1) \*\*: To except the effect of lower sideband of sound sub-carrier frequency component, if set the resolution bandwidth of spectrum analyzer to 30 kHz, these interference become to this value.
- (2) The correction factor consist of the voltage loss of the impedance matching transformer and the coaxial cable used for the test. And the meter readings described above are corrected by the gain of pre-amplifier.
- (3) The spectrum was checked in each test mode and operation mode, and the data of the maximum EUT operation was reported.
- (4) **The spectrum was checked in each test mode and operation mode, and the data of the maximum EUT operation was reported.**

## [Calculation method]

$$\begin{aligned} & \text{Maximum Signal Level (dBu V/75}\Omega\text{)} \\ & = \text{Meter Reading (dBu V/50}\Omega\text{)} + \text{Correction Factor (dB)} \end{aligned}$$

## [Environment]

Temperature: 25°C

Humidity: 40%

## [Summary of Test Results]

Minimum margin was 16.0 dB at 55.34 MHz, test channel #3

## [Tested Date/ Tester]

21 December 1999

Signature



Yoshiko Kotani

### 7.3. Photographs of EUT System Configuration

The tested device configuration is the same as the output signal level measurement.  
(See 6.3 Photographs of EUT System Configuration.)

## 8. TRANSFER SWITCH MEASUREMENT

### 8.1. Test Procedure

- (1) Configure the EUT System in accordance with ANSI C63.4-1992 section 12.2.  
 : without deviation,  : with deviation(details are found below)  
See also the block diagram and the photographs of EUT System configuration  
In this report.
- (2) Unused RF input/output terminals are terminated in the proper impedance.
- (3) Activate the EUT system.
- (4) Set the spectrum analyzer as follows.

Frequency Span	: 1 MHz
Resolution bandwidth	: 100 kHz
Video bandwidth	: 3 MHz
Detector function	: Peak mode
- (5) The antenna input terminal is connected to the input of pre-amplifier through the matching transformer with a calibrated 50  $\Omega$  coaxial cable. And the output of pre-amplifier is connected to the spectrum analyzer.
- (6) Then, the signal level on the antenna input terminal is measured under the EUT condition produced the maximum signal level.



## 8.2. Test Results

Emission Frequency [MHz]	Correction Factor [dB]	Meter Reading [dB $\mu$ V/50 $\Omega$ ]	Maximum Signal Level [dB $\mu$ V/75 $\Omega$ ]	Limits [dB $\mu$ V/75 $\Omega$ ]
<b><u>Test Channel #3</u></b> 61.25	2.0	4.9	6.9	9.5
<b><u>Test Channel #4</u></b> 67.25	2.1	5.0	7.1	9.5

## [Note]

- (1) The correction factor consist of the voltage loss of the impedance matching transformer and the coaxial cable used for the test. And the meter readings described above are corrected by the gain of pre-amplifier.
- (2) The spectrum was checked in each test mode and operation mode, and the data of the maximum EUT operation was reported.

## [Calculation method]

$$\begin{aligned} & \text{Maximum Signal Level (dB}\mu\text{V/75}\Omega) \\ & = \text{Meter Reading (dB}\mu\text{V/50}\Omega) + \text{Correction Factor (dB)} \end{aligned}$$

## [Environment]

Temperature: 25°C

Humidity: 40%

## [Summary of Test Results]

Minimum margin was 2.4 dB at 67.25 MHz, test channel #4

## [Tested Date/ Tester]

21 December 1999

Signature

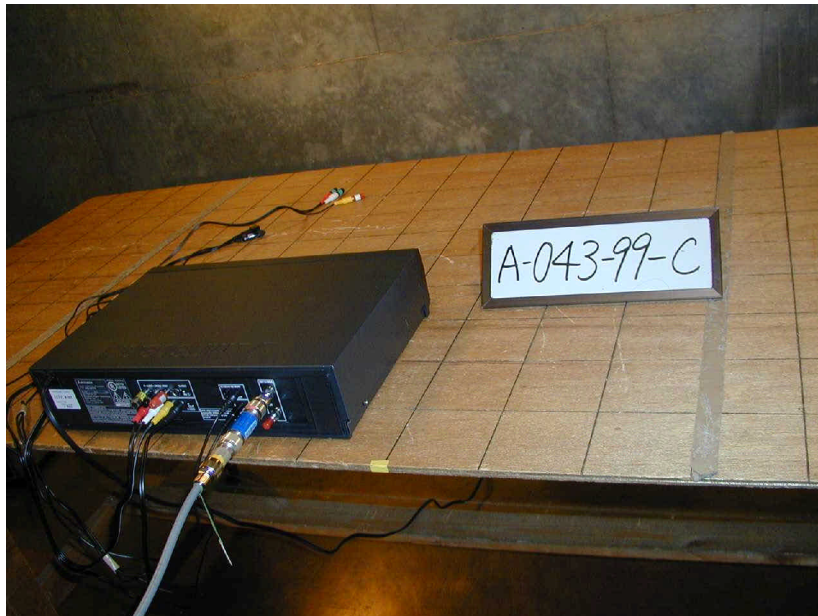


Yoshiko Kotani

### 8.3. Photographs of EUT System Configuration

#### REAR VIEW

##### a. Playback Mode



##### b. Record mode (1V VITS Signal Input)

##### c. Record mode (5V VITS Signal Input)



- Continued -

REAR VIEW

- d. Record mode (1V VITS Signal Input)
- e. Record mode (5V VITS Signal Input)



## 9. LIST OF TEST EQUIPMENTS

Equipment	Manufacturer	Model No.	Specifications	KEC Control No.	Test Item (*)	Last Cal.	Next Cal.
Test Receiver	Rohde & Schwarz	ESH3	Frequency Range 9kHz-30MHz	FS-48-2	1	1999/12	2000/12
		ESVS10	Frequency Range 20MHz-1GHz	FS-60	2	1999/6	2000/6
Spectrum Analyzer	Rohde & Schwarz	FSA	Frequency Range 100 Hz-1.8 GHz	SA-35	2	1999/7	2000/7
	Hewlett Packard	8568B	Frequency Range 100 Hz-1.5 GHz	FS-46-3	1,3,4,5	1999/6	2000/6
Pre-amplifier	Anritsu	MH648A	Frequency Range 100 Hz-1.2 GHz	AM-28	4,5	1999/6	2000/6
Biconical Antenna	Schwarzbeck	BBA9106	Frequency Range 30MHz-300MHz	AN-219	2	1999/2	2000/2
Log-Periodic Antenna	Schwarzbeck	UHALP9108 A	Frequency Range 300MHz-1GHz	AN-218	2	1999/2	2000/2
Tuned Dipole Antenna	Kyoritsu	KBA-511AS	Frequency Range 25MHz-500MHz	AN-132	N/A	1999/3	2000/3
		KBA-611S	Frequency Range 500MHz-1GHz	AN-115	N/A	1999/3	2000/3
LISN	Kyoritsu	KNW-407	Frequency Range 150kHz-30MHz	FL-106	1	1999/4	2000/4
Impedance Transformer	NMC	MB-009	Frequency Range 10MHz-2GHz 50Ω: 75 Ω	AX-61	3,4	1999/8	2000/8
Matching Transfomer	Anritsu	MG614A	Frequency Range 10MHz-1.2GHz 50 Ω: 75 Ω	AX-28-4	5	1998/12	1999/12

- Continued -

Instrument	Manufacturer	Model No.	Specifications	KEC Control No.	Test Item (*)	Last Cal.	Next Cal.
Video Part Signal Generator	Anritsu	MG3601A	Frequency Range 100kHz - 1.04GHz	SG-41	1,2,3,4	1999/9	2000/9
Audio Part Signal Generator	Anritsu	MG3601A	Frequency Range 100kHz - 1.04GHz	SG-48	1,2,3,4	1999/9	2000/9
Multiburst Signal Generator	Anritsu	MG318A	According to ANSI C63.4(1992) Section 12 Fig.15	MG-35	1,2,3,4,5	1998/12	1999/12
Matching Trans Former	Anritsu	MG614A	Frequency Range 10MHz - 1.2GHz	AX-28-2	1,2,3,4	1998/11	1999/11
Four-Port Junction Pad	Anritsu	MP659A	Frequency Range 40MHz - 1GHz	AX-16	1,2,3,4	1998/11	1999/11

[Note]

Test Item (\*):

- 1: Conducted Emission Measurement
- 2: Radiated Emission Measurement
- 3: Output Signal level Measurement
- 4: Output Terminal Conducted Spurious Measurement
- 5: Transfer Switch Measurement

N/A: Not Applicable

The overall program of calibration and verification of equipment is designed and operated so as to ensure that measurements made by KEC are traceable to national standards of measurement or equivalent abroad.