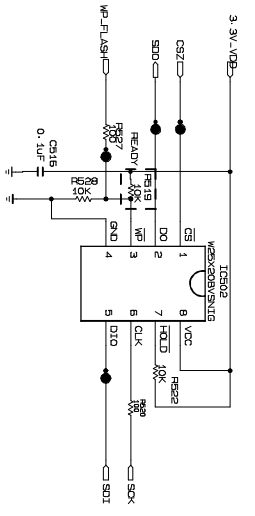


Delete SYSTEM EEPROM (100721)

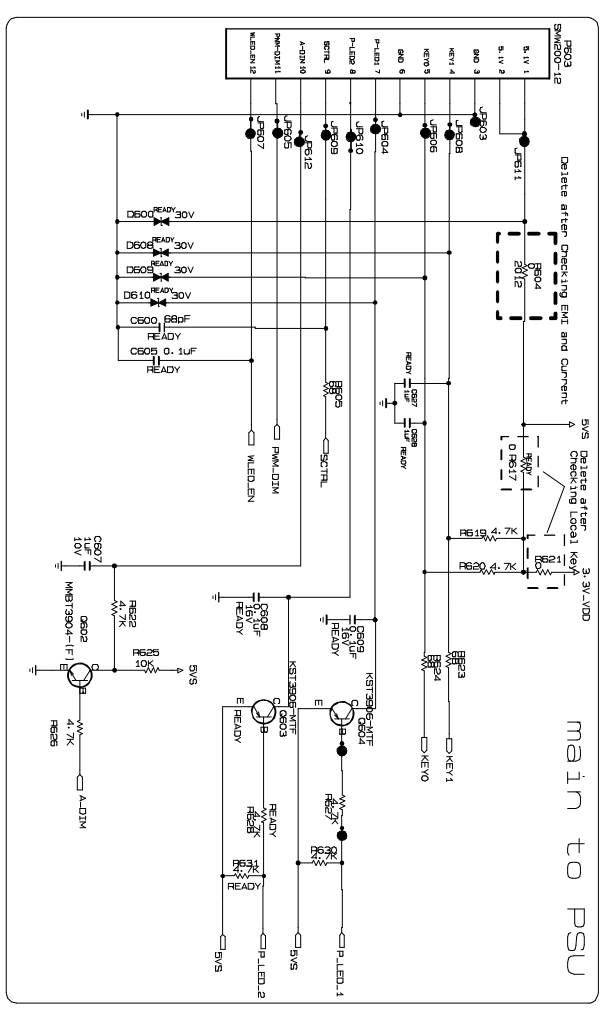
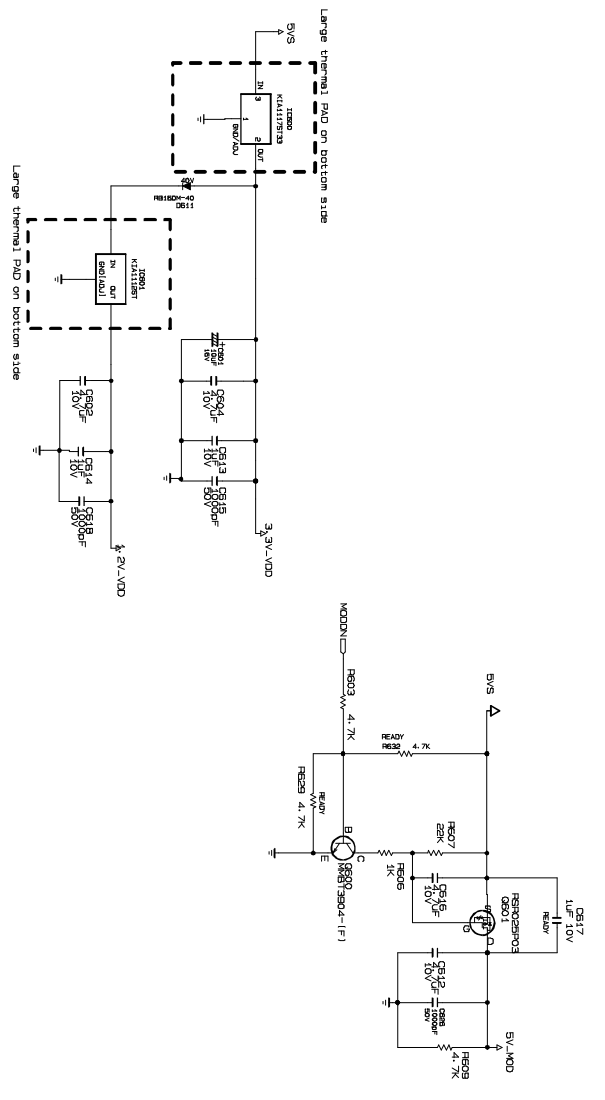
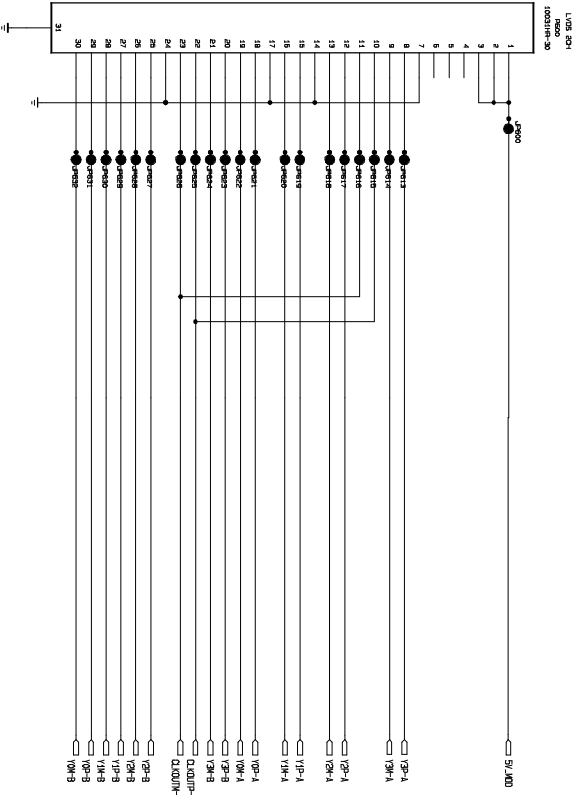
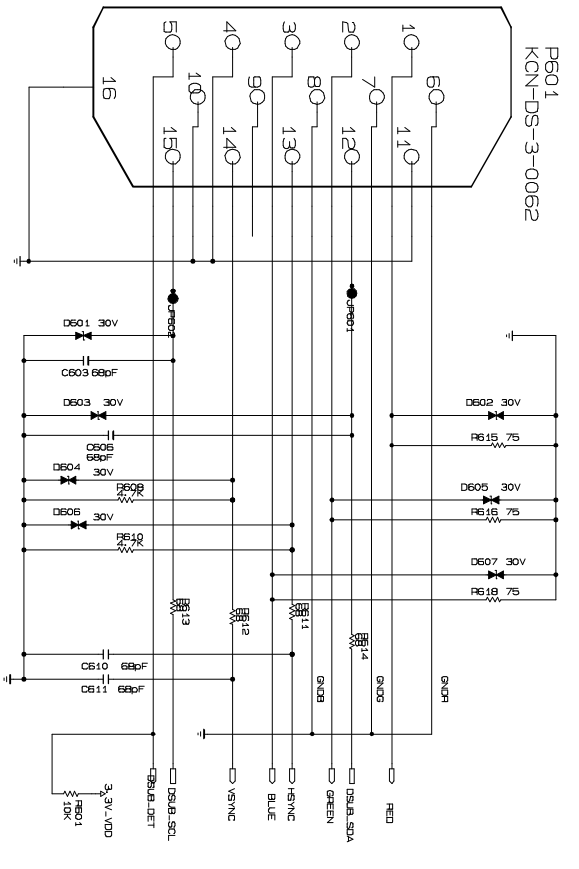


THE Δ SYMBOL MARK OF THIS SCHEMATIC DIAGRAM INCORPORATES SPECIAL FEATURES IMPORTANT FOR PROTECTION FROM X-RADIATION, FILTRER AND ELECTRICAL SHOCK HAZARDS. WHEN SERVICING IT IS ESSENTIAL THAT ONLY MANUFACTURERS SPECIFIED PARTS BE USED FOR THE CRITICAL COMPONENTS IN THE Δ SYMBOL MARK OF THE SCHEMATIC.

SECRET  
LGElectronics



MODEL	E41S Reeltek 64p	DATE	2010-07-19
BLOCK	SCALER	SHEET	1 / 2



THE ▲ SYMBOL MARK OF THIS SCHEMATIC DIAGRAM INCORPORATES SPECIAL FEATURES IMPORTANT FOR PROTECTION FROM X-RADIATION, FLUORESCENT AND ELECTRICAL SHOCK HAZARDS. WHEN SERVICING IT IS ESSENTIAL THAT ONLY MANUFACTURERS SPECIFIED PARTS BE USED FOR THE CRITICAL COMPONENTS IN THE ▲ SYMBOL MARK OF THE SCHEMATIC.

**SECRET**  
LGElectronics

LG ELECTRONICS

MODEL	E415 Realtek 64p	DATE	2010-07-19
BLOCK	POWER & WAFER	SHEET	2 / 2