

HAC-RF Emission

Communication System: UID 0, CW; Frequency: 835 MHz; Duty Cycle: 1:1

Phantom section: RF Section

DASY5 Configuration:

- Probe: EF3DV3 - SN4041; ConvF(1, 1, 1); Calibrated: 3/16/2018;
- Sensor-Surface: (Fix Surface)
- Electronics: DAE4 Sn1472; Calibrated: 3/8/2018
- Phantom: HAC Test Arch with AMCC; Type: SD HAC P01 BB
- Measurement SW: DASY52, Version 52.8 (7);SEMCAD X Version 14.6.10 (7164)

Dipole E-Field measurement 835MHz/835 MHz/Hearing Aid Compatibility Test at 15mm distance (41x361x1):

Interpolated grid: dx=0.5000 mm, dy=0.5000 mm

Device Reference Point: 0, 0, -6.3 mm

Reference Value = 111.9 V/m; Power Drift = -0.00 dB

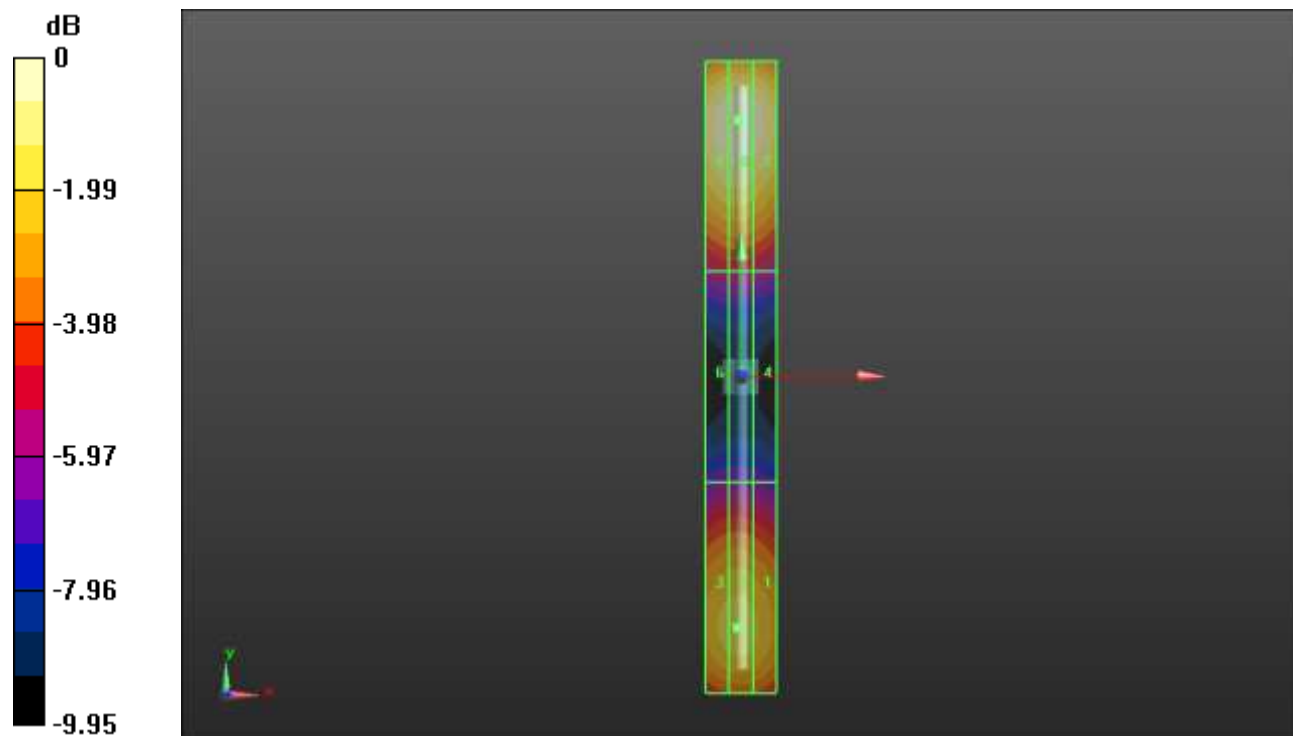
PMR not calibrated. PMF = 1.000 is applied.

E-field emissions = 108.8 V/m

Near-field category: **M4 (AWF 0 dB)**

PMF scaled E-field

Grid 1 M4 88.14 V/m	Grid 2 M4 90.35 V/m	Grid 3 M4 89.55 V/m
Grid 4 M4 58.45 V/m	Grid 5 M4 59.83 V/m	Grid 6 M4 59.47 V/m
Grid 7 M4 106.1 V/m	Grid 8 M4 108.8 V/m	Grid 9 M4 107.6 V/m



0 dB = 108.8 V/m = 40.73 dBV/m

HAC-RF Emission

Frequency: 1880 MHz; Duty Cycle: 1:1; Room Ambient Temperature: 24.0°C; Liquid Temperature: 23.0°C

Medium parameters used: $\sigma = 0$ S/m, $\epsilon_r = 1$; $\rho = 0$ kg/m³

DASY5 Configuration:

- Area Scan Setting: Find Secondary Maximum Within: 2.0 dB and with a peak SAR value greater than 0.0012W/kg
- Electronics: DAE4 Sn1472; Calibrated: 3/8/2018
- Probe: EF3DV3 - SN4041; ConvF(1, 1, 1); Calibrated: 3/16/2018;
- Sensor-Surface: (Fix Surface)
- Phantom: HAC Test Arch with AMCC; Type: SD HAC P01 BB; Serial: 1155

Dipole E-Field Measurement 1880MHz/1880 MHz/Hearing Aid Compatibility Test at 15mm distance (41x181x1):

Interpolated grid: dx=0.5000 mm, dy=0.5000 mm

Device Reference Point: 0, 0, -6.3 mm

Reference Value = 114.6 V/m; Power Drift = -0.02 dB

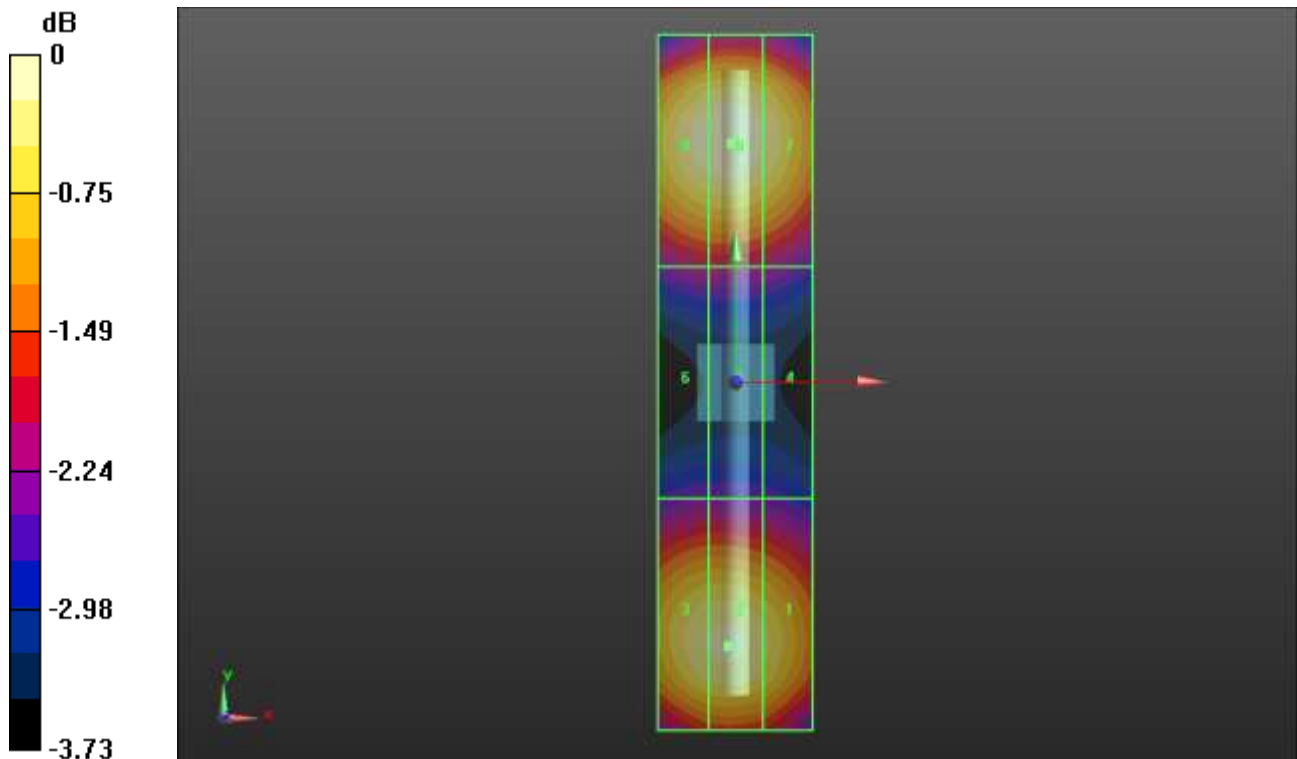
PMR not calibrated. PMF = 1.000 is applied.

E-field emissions = 80.50 V/m

Near-field category: **M3 (AWF 0 dB)**

PMF scaled E-field

Grid 1 M3 76.84 V/m	Grid 2 M3 78.84 V/m	Grid 3 M3 78.47 V/m
Grid 4 M4 62.94 V/m	Grid 5 M3 63.84 V/m	Grid 6 M3 63.68 V/m
Grid 7 M3 78.59 V/m	Grid 8 M3 80.50 V/m	Grid 9 M3 79.88 V/m



0 dB = 80.50 V/m = 38.12 dBV/m

HAC-RF Emission

Communication System: UID 0, CW (0); Frequency: 2600 MHz; Duty Cycle: 1:1

Phantom section: RF Section

DASY5 Configuration:

- Probe: EF3DV3 - SN4041; ConvF(1, 1, 1); Calibrated: 3/16/2018;
- Sensor-Surface: (Fix Surface)
- Electronics: DAE4 Sn1472; Calibrated: 3/8/2018
- Phantom: HAC Test Arch with AMCC; Type: SD HAC P01 BB
- Measurement SW: DASY52, Version 52.8 (7);SEMCAD X Version 14.6.10 (7164)

Dipole E-Field Measurement 2600MHz/2600 MHz/Hearing Aid Compatibility Test at 15mm distance (41x181x1):

Interpolated grid: dx=0.5000 mm, dy=0.5000 mm

Device Reference Point: 0, 0, -6.3 mm

Reference Value = 58.10 V/m; Power Drift = -0.01 dB

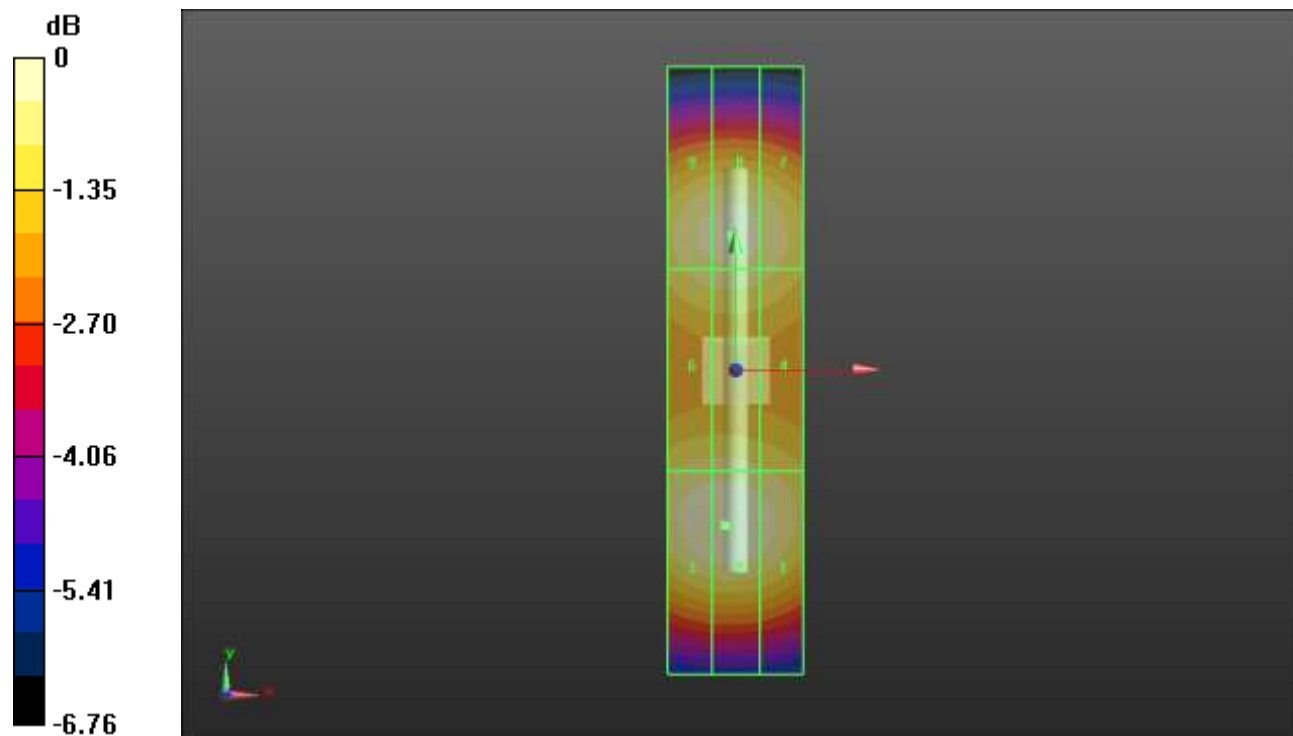
PMR not calibrated. PMF = 1.000 is applied.

E-field emissions = 81.28 V/m

Near-field category: **M3 (AWF 0 dB)**

PMF scaled E-field

Grid 1 M3 79.39 V/m	Grid 2 M3 81.28 V/m	Grid 3 M3 80.99 V/m
Grid 4 M3 75.16 V/m	Grid 5 M3 76.40 V/m	Grid 6 M3 75.90 V/m
Grid 7 M3 77.57 V/m	Grid 8 M3 79.10 V/m	Grid 9 M3 78.45 V/m



0 dB = 81.28 V/m = 38.20 dBV/m

HAC-RF Emission

Communication System: UID 0, CW (0); Frequency: 2450 MHz; Duty Cycle: 1:1

Phantom section: RF Section

DASY5 Configuration:

- Probe: EF3DV3 - SN4041; ConvF(1, 1, 1); Calibrated: 3/16/2018;
- Sensor-Surface: (Fix Surface)
- Electronics: DAE4 Sn1472; Calibrated: 3/8/2018
- Phantom: HAC Test Arch with AMCC; Type: SD HAC P01 BB
- Measurement SW: DASY52, Version 52.8 (7);SEMCAD X Version 14.6.10 (7164)

Dipole E-Field Measurement 2450MHz/2450 MHz/Hearing Aid Compatibility Test at 15mm distance (41x181x1):

Interpolated grid: dx=0.5000 mm, dy=0.5000 mm

Device Reference Point: 0, 0, -6.3 mm

Reference Value = 83.64 V/m; Power Drift = -0.04 dB

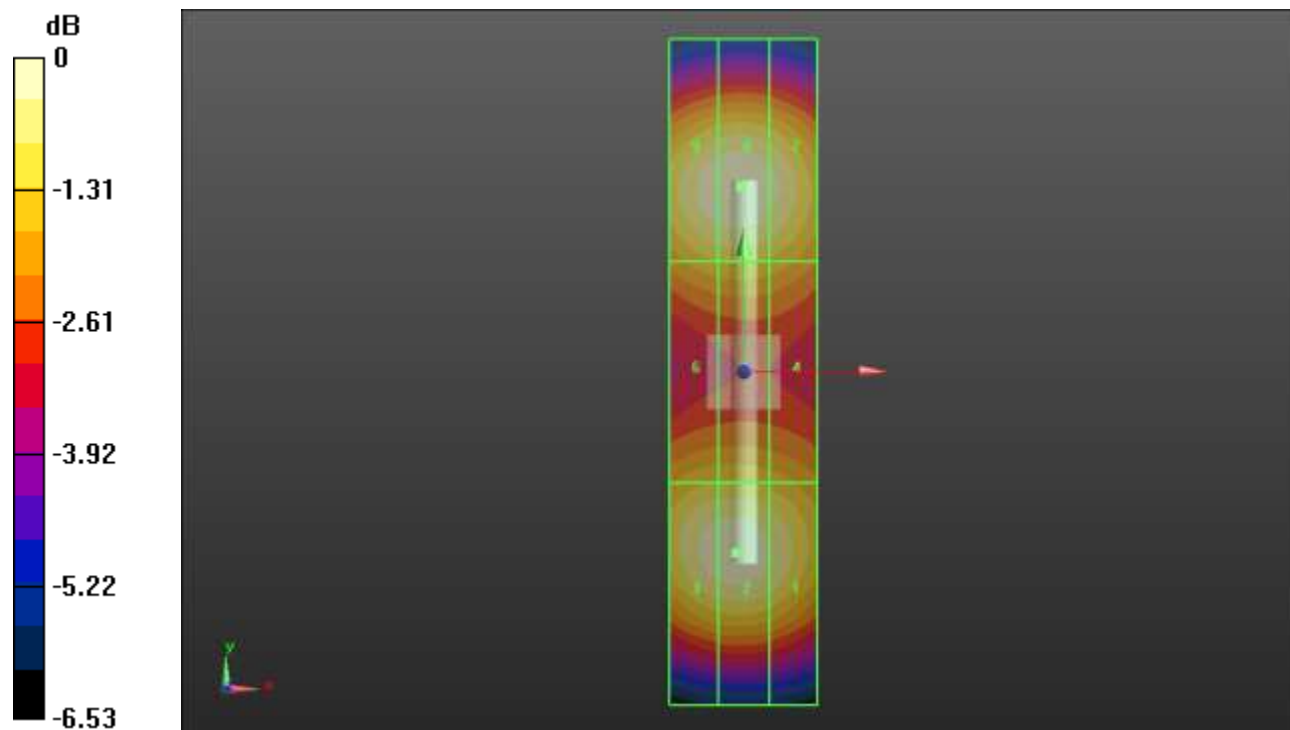
PMR not calibrated. PMF = 1.000 is applied.

E-field emissions = 92.11 V/m

Near-field category: **M3 (AWF 0 dB)**

PMF scaled E-field

Grid 1 M3 88.12 V/m	Grid 2 M3 91.07 V/m	Grid 3 M3 90.41 V/m
Grid 4 M3 78.47 V/m	Grid 5 M3 80.00 V/m	Grid 6 M3 79.76 V/m
Grid 7 M3 89.30 V/m	Grid 8 M3 92.11 V/m	Grid 9 M3 91.06 V/m



0 dB = 92.11 V/m = 39.29 dBV/m

HAC-RF Emission

Communication System: UID 0, CW (0); Frequency: 5500 MHz; Duty Cycle: 1:1

Phantom section: RF Section

DASY5 Configuration:

- Probe: EF3DV3 - SN4041 (5-6 GHz); ConvF(1, 1, 1); Calibrated: 3/16/2018;
- Sensor-Surface: (Fix Surface)
- Electronics: DAE4 Sn1472; Calibrated: 3/8/2018
- Phantom: HAC Test Arch with AMCC; Type: SD HAC P01 BB
- Measurement SW: DASY52, Version 52.8 (7);SEMCAD X Version 14.6.10 (7164)

Dipole E-Field Measurement 5.5GHz/5.5GHz/Hearing Aid Compatibility Test at 15mm distance (41x181x1):

Interpolated grid: dx=0.5000 mm, dy=0.5000 mm

Device Reference Point: 0, 0, -6.3 mm

Reference Value = 21.97 V/m; Power Drift = 0.01 dB

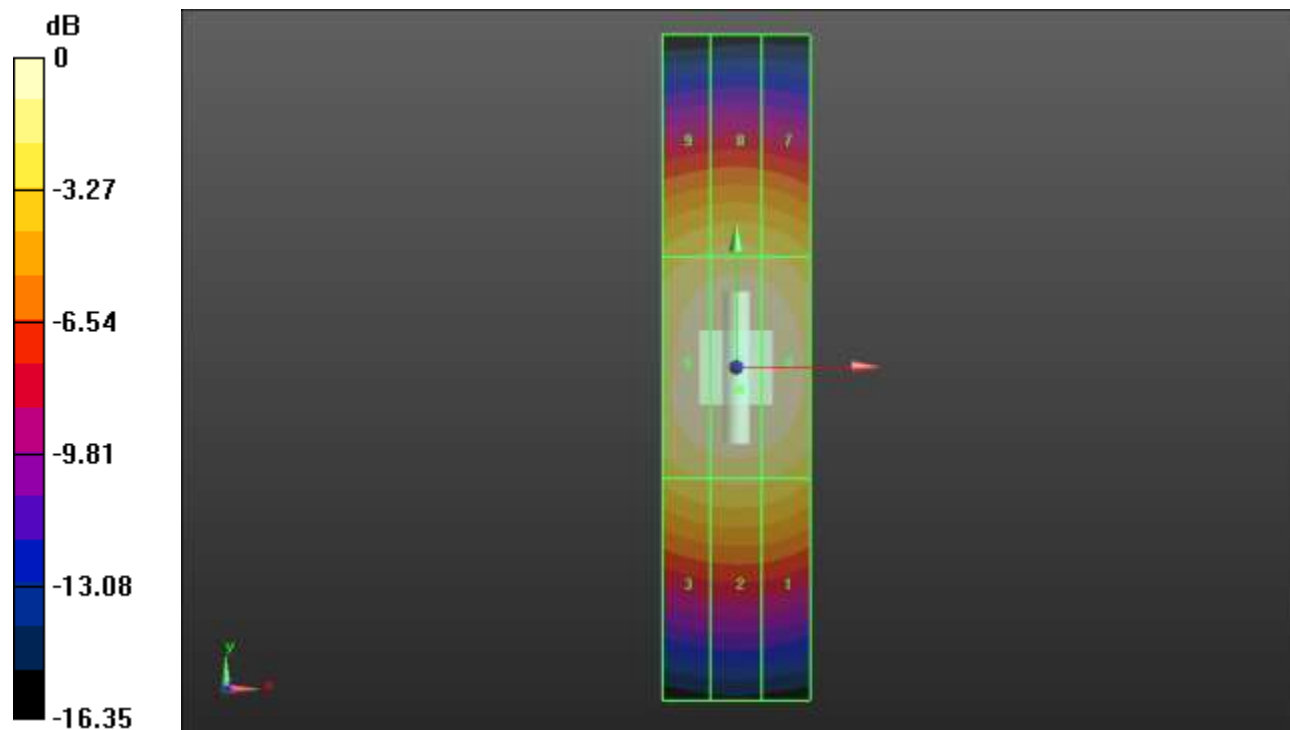
PMR not calibrated. PMF = 1.000 is applied.

E-field emissions = 98.38 V/m

Near-field category: **M3 (AWF 0 dB)**

PMF scaled E-field

Grid 1 M3 78.27 V/m	Grid 2 M3 79.52 V/m	Grid 3 M3 78.18 V/m
Grid 4 M3 97.07 V/m	Grid 5 M3 98.38 V/m	Grid 6 M3 95.66 V/m
Grid 7 M3 79.68 V/m	Grid 8 M3 81.31 V/m	Grid 9 M3 79.45 V/m



0 dB = 98.38 V/m = 39.86 dBV/m