



Installation Guide

WLAN Module

Installation Guide (GR)
Installation Guide (IS)
Installation Guide (FR)
Installation Guide (IT)
Installation Guide (JP)
Installation Guide (KR)
Installation Guide (SC)
Installation Guide (TC)

Document Part Number: 453005-B21

May 2007

© Copyright 2007 Hewlett-Packard Development Company, L.P.

Microsoft Windows and Windows Vista are either trademarks or registered trademarks of Microsoft Corporation in the United States and/or other countries. Intel is a trademark or registered trademark of Intel Corporation or its subsidiaries in the United States and other countries. Bluetooth is a trademark owned by its proprietor and used by Hewlett-Packard Company under license.

The information contained herein is subject to change without notice. The only warranties for HP products and services are set forth in the express warranty statements accompanying such products and services. Nothing herein should be construed as constituting an additional warranty. HP shall not be liable for technical or editorial errors or omissions contained herein.

Installation Guide

WLAN Module

First Edition: May 2007

Document Part Number: 453005-B21

Contents

English

Before you begin	1
Installing the WLAN module.	2
Installing the WLAN module software	5
Removing a WLAN module	6
Information and updates.	8

Regulatory Notices

Federal Communications Commission notice	10
Modifications.	10
Cables	10
Declaration of Conformity for products marked with the FCC logo (United States only)	11
Products with wireless LAN devices.	12
Brazilian notices.	13
Canadian notices	13
Avis Canadien	14
European Union notices.	14
Products with 2.4-GHz wireless LAN devices	16
Products with 5-GHz wireless LAN devices.	17
Indian notice.	17
Korean notice	17
Taiwan notice.	18
Airline travel notice	18

English

Before you begin



CAUTION: To prevent an unresponsive system, replace the wireless module only with a wireless module authorized for use in the computer by the governmental agency that regulates wireless devices in your country or region. If you replace the module and then receive a warning message, remove the module to restore computer functionality and then contact technical support through Help and Support.

Before you begin any installation or removal procedures, refer to the user guides included with your computer to perform the following steps:

1. Identify the WLAN module slot location and how to access it. The WLAN module slot can usually be accessed by opening a compartment cover on the bottom of the computer, but sometimes it is located beneath the keyboard.
2. Save your work, exit all programs, and shut down the computer. If you are not sure whether the computer is off or in hibernation, turn the computer on, and then shut it down through the operating system.
3. Disconnect all external devices connected to the computer.
4. Disconnect the power cord.
5. Remove the battery.

Installing the WLAN module



CAUTION: To prevent electrostatic discharge from damaging electronic components, discharge yourself of static electricity by touching a grounded metal object before you begin the following procedure.

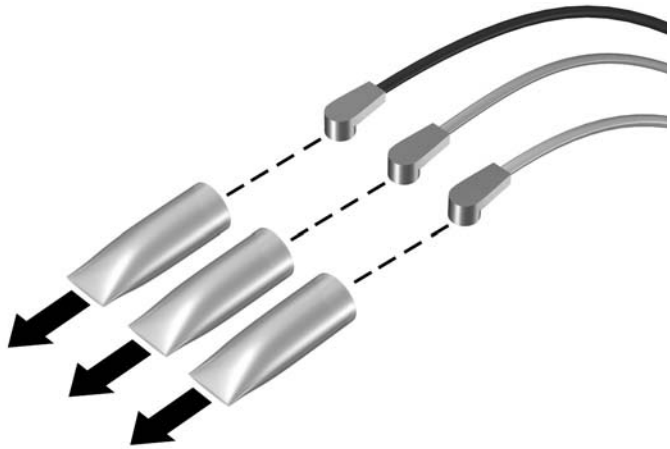


If your computer has a WLAN module currently installed, you must remove it before installing the new module. Refer to the “[Removing a WLAN module](#)” section.


1. Follow the procedures in the “[Before you begin](#)” section.
2. Gently remove the plastic covers (if applicable) from the antenna connector cables in the system.

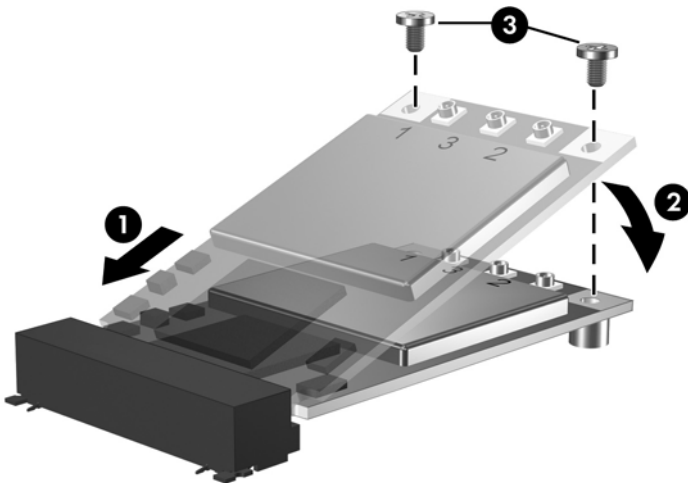


Some notebook PCs have 2 antenna connector cables and some have 3 antenna connector cables.




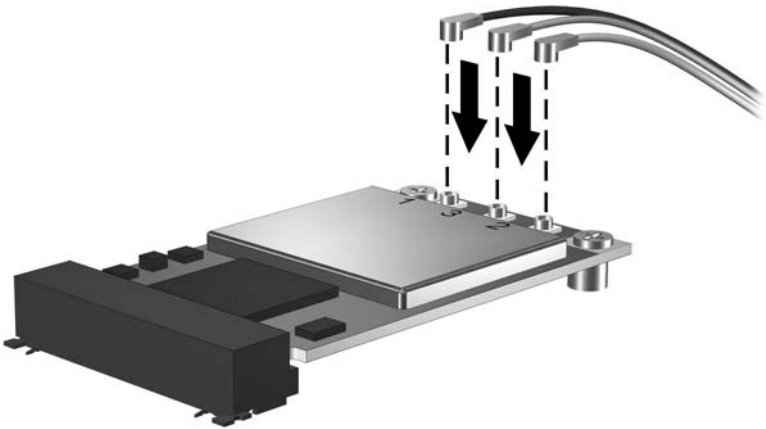
3. Insert the WLAN module **1** into the slot at an angle, press the module down **2**, and use the screws **3** provided in this option kit to secure the module in place.


 For HP Compaq 2510, 2710, 6510, 6710, and 8510 Notebook PCs, use screws in the plastic bag labeled 1. For HP Compaq 6910 and 8710 Notebook PCs, use screws in the plastic bag labeled 2.




4. Connect the antenna cables to the WLAN module. Be sure to connect each antenna cable to the appropriate connector on the module. For example, connect cable 1 to Connector 1.

 The WLAN module has three connectors: Connector 1 is the Main connector, Connector 2 is the Auxiliary connector, and Connector 3 is the third WLAN connector. If the system has only two antenna cables, do not use the third WLAN connector.



 When connecting the antenna cables, be sure to connect the cables straight down and press firmly until they are fully seated. Do not insert the cables at an angle, this can cause damage to the the center pin of the antenna connector.

5. To complete the procedure, reverse the steps in the “[Before you begin](#)” section.

 Be careful not to pinch the cables or damage the connectors. Doing so could reduce wireless performance or cause the WLAN module to function improperly. Tuck any excess cable inside the system enclosure.

Installing the WLAN module software

The installation disc included in this option kit contains the necessary WLAN software and drivers for the WLAN module.

To install the WLAN software:



Updates to the software contained on the disc may be available. Refer to the “[Information and updates](#)” section of this guide for instructions on downloading and installing the updated software from <http://www.hp.com/support>.

1. Turn on the computer.
2. Log on to the system. (The Found New Hardware wizard opens.)
3. Insert the WLAN software disc included with this option kit into the optical drive of the computer and follow the on-screen instructions.

Installation of the device driver is complete.



If your computer does not have an optical drive, refer to the “[Information and updates](#)” section of this guide for instructions on downloading and installing the software from <http://www.hp.com/support>.




If you are using Microsoft® Windows® 2000, or if your wireless network requires Cisco Client Extensions (such as LEAP), you must also install the appropriate Wireless LAN utility (Intel® ProSET) to configure the WLAN device correctly. The Wireless LAN utility is located on the WLAN software disc included with this option kit.




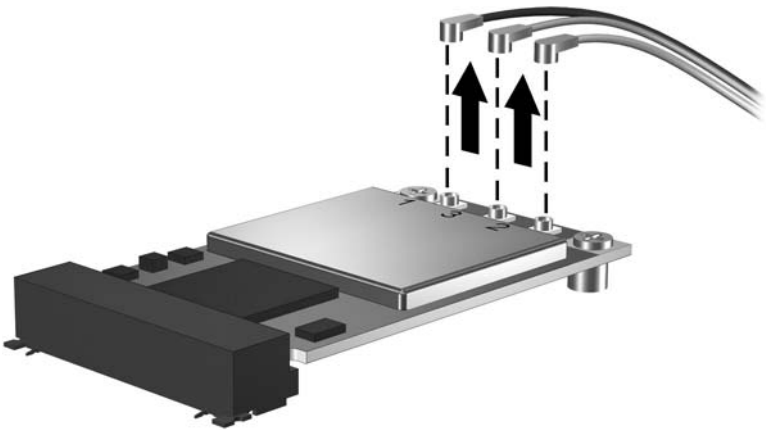
If you have problems with the installation, contact your network administrator for assistance.

Removing a WLAN module

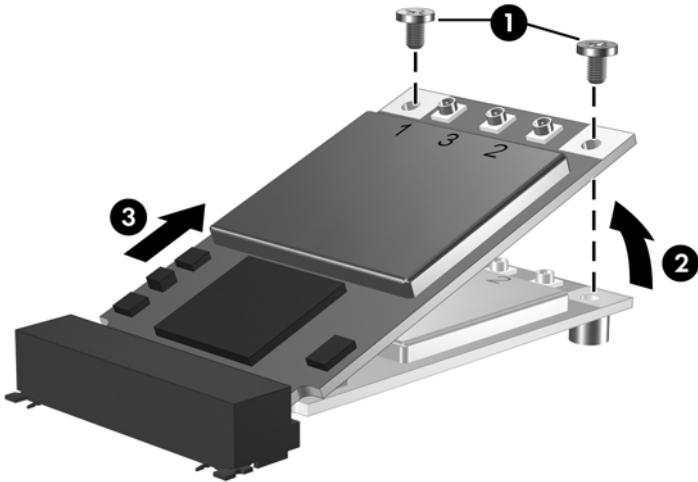
 **CAUTION:** To prevent electrostatic discharge from damaging electronic components, discharge yourself of static electricity by touching a grounded metal object before you begin the following procedure.

1. Follow the procedures in the “**Before you begin**” section.
 2. Carefully disconnect the 2 or 3 antenna cables from the WLAN module by lifting each cable connector with a fingernail or small screwdriver.
-

 **CAUTION:** Do not pull on the antenna cable to remove it. Grip and pull only on the connector itself. Pulling on the cable can damage the connector or break it off the cable.



3. Remove the screws **1**, and pull the WLAN module up **2** and out **3** at an angle.



If you have problems with the removal, contact your network administrator for assistance.

Information and updates

Install any software upgrades that are available from HP for your WLAN module. Most software at the HP Web site is packaged in a compressed file called a SoftPaq. You will download the SoftPaq and save it to your hard drive.

To obtain software upgrades:

1. Visit the HP Web site at <http://www.hp.com/support>.
2. Follow the on-screen instructions to identify your country or region.
3. Click **Download drivers and software**, and then enter the product information for your computer series name and device.

For further product details, refer to the user guides on the computer by selecting **Start > Help and Support > User Guides**.



User guides for select models may also be provided on a *User Guides* disc.

Regulatory Notices

This guide provides country- and region-specific nonwireless and wireless regulatory notices and compliance information for the computer product. Some of these notices may not apply to your device.

One or more integrated wireless devices may be installed. In some environments, the use of wireless devices may be restricted. Such restrictions may apply onboard airplanes, in hospitals, near explosives, in hazardous locations, and so on. If you are uncertain of the policy that applies to the use of this product, ask for authorization to use it before you turn it on.

To identify a hardware device, such as a wireless LAN (WLAN) network device installed on the computer, open the Device Manager utility using the following steps:

In Windows Vista™, follow these steps:

1. Select **Start > Computer > System properties**.
2. In the left pane, click **Device Manager**.

In Windows® XP Professional and Windows XP Home, follow these steps:

1. Select **Start > My Computer**.
2. In the left pane, select **View System Information > Hardware tab > Device Manager**.

Federal Communications Commission notice

This equipment has been tested and found to comply with the limits for a Class B digital device, pursuant to Part 15 of the FCC Rules. These limits are designed to provide reasonable protection against harmful interference in a residential installation. This equipment generates, uses, and can radiate radio frequency energy and, if not installed and used in accordance with the instructions, may cause harmful interference to radio communications. However, there is no guarantee that interference will not occur in a particular installation.

If this equipment does cause harmful interference to radio or television reception, which can be determined by turning the equipment off and on, the user is encouraged to try to correct the interference by one or more of the following measures:

- Reorient or relocate the receiving antenna.
- Increase the separation between the equipment and receiver.
- Connect the equipment to an outlet on a circuit different from that to which the receiver is connected.
- Consult the dealer or an experienced radio or television technician for help.

Modifications

The FCC requires the user to be notified that any changes or modifications made to this device that are not expressly approved by HP may void the user's authority to operate the equipment.

Cables

To maintain compliance with FCC Rules and Regulations, connections to this device must be made with shielded cables having metallic RFI/EMI connector hoods.

Declaration of Conformity for products marked with the FCC logo (United States only)

This device complies with Part 15 of the FCC Rules. Operation is subject to the following 2 conditions:

1. This device may not cause harmful interference.
2. This device must accept any interference received, including interference that may cause undesired operation.

If you have questions about the product that are *not* related to this declaration, write to

Hewlett-Packard Company
P. O. Box 692000, Mail Stop 530113
Houston, TX 77269-2000

For questions regarding this FCC declaration, write to

Hewlett-Packard Company
P. O. Box 692000, Mail Stop 510101
Houston, TX 77269-2000

Or call HP at 281-514-3333.

To identify your product, refer to the part, series, or model number located on the product.

Products with wireless LAN devices



WARNING: Exposure to Radio Frequency Radiation

The radiated output power of this device is below the FCC radio frequency exposure limits. Nevertheless, the device should be used in such a manner that the potential for human contact is minimized during normal operation of tablet PCs and notebooks.

During normal operation of tablet PCs: To avoid the possibility of exceeding the FCC radio frequency exposure limits, human proximity to the antennae should not be less than 2.5 cm (1 inch). To identify the location of the wireless antennae, refer to the *Tablet PC Tour* user guide included with the computer.

During normal operation of notebooks: To avoid the possibility of exceeding the FCC radio frequency exposure limits, human proximity to the antennae should not be less than 20 cm (8 inches), including when the computer display is closed. To identify the location of the wireless antennae, refer to the *Notebook Tour* user guide included with the computer.



CAUTION: When using IEEE 802.11a wireless LAN, this product is restricted to indoor use due to its operation in the 5.15- to 5.25-GHz frequency range. The FCC requires this product to be used indoors for the frequency range of 5.15 GHz to 5.25 GHz to reduce the potential for harmful interference to co-channel mobile satellite systems. High power radar is allocated as the primary user of the 5.25- to 5.35-GHz and 5.65- to 5.85-GHz bands. These radar stations can cause interference with and/or damage to this device.

Brazilian notices

Este equipamento opera em caráter secundário, isto é, não tem direito a proteção contra interferência prejudicial, mesmo de estações do mesmo tipo, e não pode causar interferência a sistemas operando em caráter primário.

Unless the computer has an Intel® PRO/Wireless 2100 Wireless LAN radio or an Intel PRO/Wireless 2200 Wireless LAN radio, the Brazilian certification mark is located on the bottom of the computer.

Canadian notices

This Class B digital apparatus meets all requirements of the Canadian Interference-Causing Equipment Regulations. Wireless operation is subject to 2 conditions. The first is that the wireless device may not cause interference. The second is that the wireless device must accept any interference, including interference that may cause undesired operation of the device.



CAUTION: When using IEEE 802.11a wireless LAN, this product is restricted to indoor use due to its operation in the 5.15- to 5.25-GHz frequency range. Industry Canada requires this product to be used indoors for the frequency range of 5.15 GHz to 5.25 GHz to reduce the potential for harmful interference to co-channel mobile satellite systems. High power radar is allocated as the primary user of the 5.25- to 5.35-GHz and 5.65- to 5.85-GHz bands. These radar stations can cause interference with and/or damage to this device.

The antennae for this device are not replaceable. Any attempt at user access would damage your computer.

For radio devices in the 5250- to 5350-MHz and 5470- to 5725-MHz bands, the maximum gain permitted as specified by the Canadian e.i.r.p. limit is noted below:

- Intel Wireless WiFi Link 4965AG = 6 dBi
- Intel Wireless WiFi Link 4965AGN = 6 dBi

For radio devices in the 5725- to 5825-MHz band, the maximum gain permitted, as specified by the Canadian e.i.r.p. limits for point-to-point and non-point-to-point operation is noted below:

- Intel Wireless WiFi Link 4965AG = 6 dBi
- Intel Wireless WiFi Link 4965AGN = 6 dBi

Avis Canadien

Cet appareil numérique de la classe B respecte toutes les exigences du Règlement sur le matériel brouilleur du Canada.

European Union notices

Products bearing the CE marking comply with the following EU Directives:

- Low Voltage Directive 2006/95/EC
- EMC Directive 2004/108/EEC

CE compliance of this product is valid only if powered with the correct CE-marked AC adapter provided by HP.

If this product has telecommunications functionality, it also complies with the essential requirements of the following EU Directive:

- R&TTE Directive 1999/5/EC

Compliance with these directives implies conformity to harmonized European standards (European Norms) that are listed in the EU Declaration of Conformity issued by HP for this product or product family. This compliance is indicated by one of the following conformity markings placed on the product.

- The following CE marking is valid for non-telecommunications products and for EU harmonized telecommunications products, such as Bluetooth®.



Hewlett-Packard GmbH, HQ-TRE, Herrenberger Strasse 140,
71034 Boeblingen, Germany

- The following CE marking is valid for EU non-harmonized telecommunications products.



*If applicable, a notified body number is used. Refer to the regulatory label provided on this product.

The telecommunications functionality of this product may be used in the following EU and EFTA countries:

Austria, Belgium, Cyprus, Czech Republic, Denmark, Estonia, Finland, France, Germany, Greece, Hungary, Iceland, Ireland, Italy, Latvia, Liechtenstein, Lithuania, Luxembourg, Malta, Netherlands, Norway, Poland, Portugal, Slovak Republic, Slovenia, Spain, Sweden, Switzerland, and United Kingdom.

Products with 2.4-GHz wireless LAN devices

France

L'utilisation de cet équipement (2.4GHz wireless LAN) est soumise à certaines restrictions : cet équipement peut être utilisé à l'intérieur d'un bâtiment en utilisant toutes les fréquences de 2400 à 2483.5MHz (Chaîne 1–13). Pour une utilisation en environnement extérieur, vous devez utiliser les fréquences comprises entre 2454 à 2483.5-MHz (Chaîne 10–13). Pour les dernières restrictions, voir <http://www.art-telecom.fr>.

For 2.4-GHz wireless LAN operation of this product, certain restrictions apply. This equipment may use the entire 2400-MHz to 2483.5-MHz frequency band (channels 1 through 13) for indoor applications. For outdoor use, the 2454-MHz to 2483.5-MHz frequency band (channels 10 through 13) may not be used. For the latest requirements, see <http://www.art-telecom.fr>.

Italy

E' necessaria una concessione ministeriale anche per l'uso del prodotto. Verifici per favore con il proprio distributore o direttamente presso la Direzione Generale Pianificazione e Gestione Frequenze.

License required for use. Verify with your dealer or directly with the General Direction for Frequency Planning and Management (Direzione Generale Pianificazione e Gestione Frequenze).

Products with 5-GHz wireless LAN devices

Frequency availability for 802.11a or 802.11h wireless LAN is not currently harmonized throughout the European Union. For compliance requirements, users should verify compliance with their supplier, local HP office, or telecommunications authority.

Indian notice

The India Telegraph Act of 1885 requires that an IEEE 802.11a wireless LAN end user obtain a license. To obtain this license, please contact The Wireless Planning & Coordination Wing, Ministry of Communications, Sanchar Ghavan New Delhi.

Korean notice

B급 기기 (가정용 정보통신기기)

이 기기는 가정용으로 전자파적합등록을 한 기기로서
주거지역에서는 물론 모든지역에서 사용할 수 있습니다.

Taiwan notice

低功率電波輻射性電機管理辦法

第十四條 經型式認證合格之低功率射頻電機，非經許可，公司、商號或使用者均不得擅自變更頻率、加大功率或變更原設計之特性及功能。

第十七條 低功率射頻電機之使用不得影響飛航安全及干擾合法通信；經發現有干擾現象時，應立即停用，並改善至無干擾時方得繼續使用。

前項合法通信，指依電信規定作業之無線電信。低功率射頻電機須忍受合法通信或工業、科學及醫療用電波輻射性電機設備之干擾。

Airline travel notice

Use of electronic equipment onboard commercial aircraft is at the discretion of the airline.