

HOMUSPOT

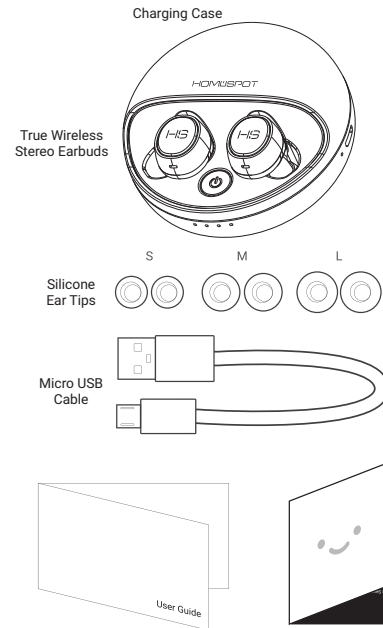
True Wireless Stereo Earbuds AirBeans X



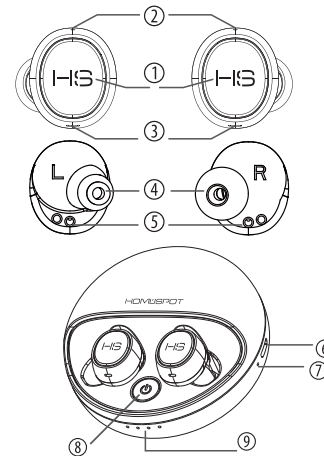
TECHNICAL SPECIFICATIONS

Bluetooth Specifications	Bluetooth V4.2
Bluetooth Profile	AVRCP / HFP / HSP
Operating Distance	Maximum 10m / 33ft
Charging Input (Battery)	Earbud: 5V / 100mA Charging Case: 5V / 120mAh
Dimension (Charging Case)	D: 71.3mm x H: 34.8mm
Model	HS-TW-INEAR-02

PACKAGE CONTENTS



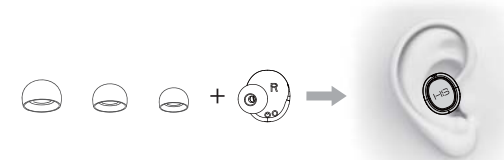
PRODUCT OVERVIEW



1) Multifunction Button	6) Charging Port
2) LED Indicator	7) Charging LED Indicator
3) Mic	8) Power Button
4) Silicone Ear Tips	9) Battery Level LED Indicator
5) Charging Contacts	

FITTING

SELECT THE RIGHT EARTIP SIZE



For a perfect fit and ideal performance, make sure to angle the earbuds into place according to the picture.



CHARGING

EARBUDS CHARGING

Place the earbuds into the charging case. Make sure the Charging Contacts (5) make good contact with the charging pins.

Press and hold the Power Button (8) for one second to start charging the earbuds.

While charging, both the LED Indicator (2) and Charging LED Indicator (7) will show a steady red. When the earbuds are fully charged, the Charging LED Indicator (7) will show a steady blue and LED Indicator (2) will be off.

CHARGING CASE CHARGING

Connect the Charging Port (6) to any 5V USB power supply with the included micro USB cable.

While charging, the Charging LED Indicator (7) will show a steady red. (7) will become blue and all LEDs in the Battery Level Indicator (9) will be on when the charging case is fully charged. For first time use, charge the case for about 1.5 hours.

PAIRING

Press the Multifunction Button (1) on each earbud until the LED Indicator (2) turns blue. Place both earbuds next to each other for establishing connection. Voice prompt

“Connected, left channel” will be played on the left earbud. Voice prompt “Connected, right channel” will be played on the right earbud.

Turn on the Bluetooth function on your mobile device, select “HomeSpot AirBeans X” to pair and connect.

Voice prompt “Second Device Connected” will be played.

OPERATIONS

Play & Pause Music:

Press any one of the Multifunction Button (1) once to play music; press again to pause the music.

Answer / End call:

Press the Multifunction Button (1) once to answer the call, press again to end the call.

Reject call:

Double press the Multifunction Button (1) to reject the incoming call.

Redial:

Double press the Multifunction Button (1) to redial the last number you called on your phone.

Power Off

Long press the Multifunction Button (1) on one of the earbuds until the LED Indicator (2) turns red, or simply dock the earbuds into the Charging Case and press the Power Button (8).

AUTO-RECONNECT

The HomeSpot AirBeans will search for the last connected device for 60 seconds upon powering up, and will automatically connect to it when it is found.

MONO MODE

There is also an option to listen in mono mode if you would like to maximise continuous playtime. Do it by pairing only one of the earbuds at a time.

Press the Multifunction Button (1) on a earbud until the LED Indicator (2) flashes red and blue alternately and follow the “Pairing” instruction.

Multipoint connectivity only works in mono mode.

CONNECT TO 2nd DEVICE

Pair and connect a earbud with the first device (refers to Mono Mode)

Disconnect with the first device. Turn off the earbud. Long press the earbud again until blue and red light flash alternately.

Pair the earbud with the second device. Turn on the Bluetooth function of the first device, reconnect it to the earbud and the earbud will be paired and connected to both devices.

LED INDICATORS

Status	LED Status
EarBuds	
Power On / Pairing	LED Indicator (2) flashes blue
Pairing Successful	LED Indicator (2) flashes blue. Voice prompt “Second device connected”
Playing Music	LED Indicator (2) flashes blue slowly
Low Battery	LED Indicator (2) flashes red slowly. Voice prompt “Low battery, please charge”
Charging	LED Indicator (2) steady red
Fully Charged	LED Indicator (2) off
Charging Case	
Charging	Charging LED Indicator (7) steady red
Fully Charged	Charging LED Indicator (7) steady blue
Low Battery	Charging LED Indicator (7) flashes red

Federal Communications Commission (FCC) Statement

This device complies with part 15 of the FCC Rules. Operation is subject to the following two conditions: (1) This device may not cause harmful interference, and (2) this device must accept any interference received, including interference that may cause undesired operation.

Note: This equipment has been tested and found to comply with the limits for a Class B digital device, pursuant to part 15 of the FCC Rules. These limits are designed to provide reasonable protection against harmful interference in a residential installation. This equipment generates, uses and can radiate radio frequency energy and, if not installed and used in accordance with the instructions, may cause harmful interference to radio communications. However, there is no guarantee that interference will not occur in a particular installation. If this equipment does cause harmful interference to radio or television reception, which can be determined by turning the equipment off and on, the user is encouraged to try to correct the interference by one or more of the following measures:

- Reorient or relocate the receiving antenna.
- Increase the separation between the equipment and receiver.
- Connect the equipment into an outlet on a circuit different from that to which the receiver is connected.
- Consult the dealer or an experienced radio/TV technician for help.

Warning: Changes or modifications made to this device not expressly approved by GT-tronics HK Ltd may void the FCC authorization to operate this device.

Note: The manufacturer is not responsible for any radio or TV interference caused by unauthorized modifications to this equipment. Such modifications could void the user's authority to operate the equipment.