



**- USER MANUAL -**

## Item in this package

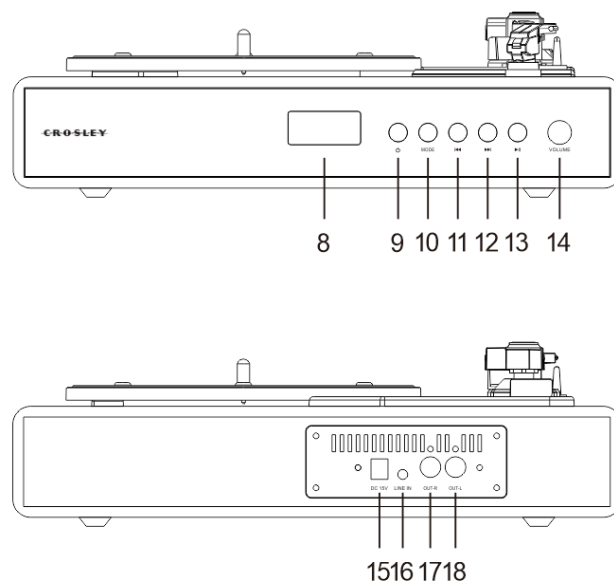
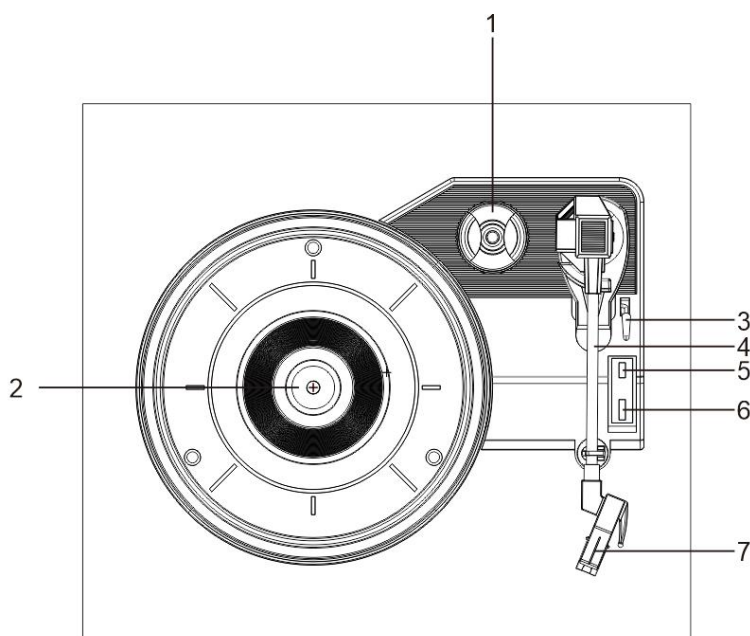
Before throwing away any packaging materials, please check thoroughly and make sure you find the following items that come along with this package:

- Turntable
- 45 RPM adapter(attach on the turntable)
- Power adaptor
- Audio cable

## Specifications

Power	DC 15V 3 A
Power consumption	45 W
Output Power	50 W
Turntable speed	33 $\frac{1}{3}$ , 45, 78 RPM

## Product Description



- |                      |                      |                        |
|----------------------|----------------------|------------------------|
| 1. 45 RPM Adapter    | 8. Display           | 15. Power Supply       |
| 2. Turntable Platter | 9. POWER Key         | 16. LINE IN Port       |
| 3. Tonearm Lever     | 10. Mode Key         | 17. Speaker Right Jack |
| 4. Tonearm           | 11. PREVIOUS Section | 18. Speaker Left Jack  |
| 5. Auto-stop Switch  | 12. NEXT Section     |                        |
| 6. Speed Switch      | 13. Play/Pause       |                        |
| 7. Needles           | 14. Volume Control   |                        |

## General Operation

### Essential Setup

1. Place the speakers on a flat and level surface. The selected location should be stable and free from vibration.
2. Connect the external speaker cable from the speakers to the main unit's L/R jack.
3. Plug the power cord to unit firstly and then plug the adapter to wall power outlet.
4. Press and hold the Power button on the unit to the turn on and off.

## BLUETOOTH MODE

The first time you use your Bluetooth device with this player, you will need to connect or "pair" it with the player first.

1. Switching to Bluetooth mode. The display will show "bt". Flasing "bt" indicate that the system has entered pairing mode and will be searchable by your Bluetooth enabled device.
2. Activate your Bluetooth enabled device and select the search mode. "CROSLEY CR7019A" will appear on your Bluetooth device list. Select "CROSLEY CR7019A " in the pairing list.
3. The "bt" letter on display will become solid if pairing succeeds.

## FM MODE

When you switch the unit to the Radio Mode, you can listen to the FM radio program in this mode.

1. In FM mode, press the PLAY/PAUSE key on the unit to automatically search station. It will save the station once searching completed.
2. Press the « or » on the unit to select station.

## Turntable Operation

1. Switch the unit to the phono mode. The display will show " PHON".
2. Select the desired speed ( 33 $\frac{1}{3}$ , 45, 78 ) and place the record on the platter.  
(Remark: When playing a 45 RPM record, please use the 45 RPM adapter.)
3. Remove the stylus protector from the stylus. Release the tone arm from the tone arm clip.
4. Use the tonearm lever to raise the tonearm. Move the tonearm gently to desired position over the record. Push the lift lever again to descend the tonearm slowly onto the desired position on the record to start playing.
5. When the record is finished playback, push the tonearm lever again to lift up the tonearm. And return the tonearm to the arm rest. Use the tonearm lever to descend the tonearm.

Remark:

1. When the Auto stop switch is "ON", the record will stop automatically when finished. When the Auto stop switch is "OFF", the record will not stop automatically when finished.
2. Do not touch the stylus tip by fingers.

## AUX IN

Switch to AUX mode, the display will show "AUX". Connect one end of a 3.5 mm audio cable to speaker's AUX INPUT jack, then connect the other end to the output jack of your audio device (such as Mobile phone/MP3 Player).

## Trouble Shooting

Problem	Solution
There is no power	-Power cord is not properly connected. -No power at the power outlet.
There is no sound from the speakers	-The speaker jack is not properly connected.
The speakers could not be connected to my Bluetooth device	-The device's Bluetooth function is not turned on. -The speakers are actively connected to another Bluetooth device.
The turntable speaker stop before the record is finished.	-Adjust the Auto-stop switch to "OFF" position.

NOTE: This equipment has been tested and found to comply with the limits for a Class B digital device, pursuant to part 15 of the FCC Rules. These limits are designed to provide reasonable protection against harmful interference in a residential installation. This equipment generates uses and can radiate radio frequency energy and, if not installed and used in accordance with the instructions, may cause harmful interference to radio communications. However, there is no guarantee that interference will not occur in a particular installation. If this equipment does cause harmful interference to radio or television reception, which

can be determined by turning the equipment off and on, the user is encouraged to try to correct the interference by one or more of the following measures:

- Reorient or relocate the receiving antenna.
- Increase the separation between the equipment and receiver.
- Connect the equipment into an outlet on a circuit different from that to which the receiver is connected.
- Consult the dealer or an experienced radio/TV technician for help

Changes or modifications not expressly approved by the party responsible for compliance could

void the user's authority to operate the equipment.

This device complies with Part 15 of the FCC Rules. Operation is subject to the following two conditions:

- (1) this device may not cause harmful interference, and
- (2) this device must accept any interference received, including interference that may cause undesired operation.