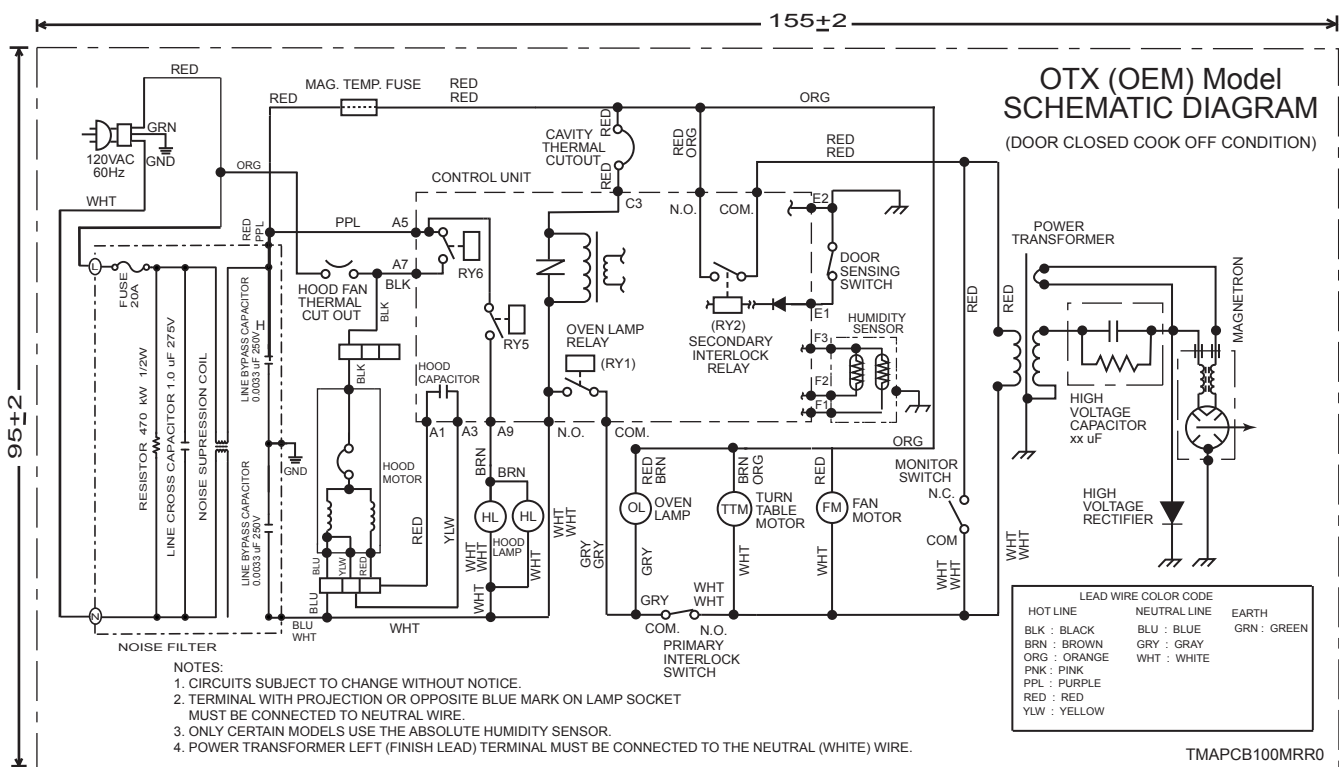


<PROHIBITION TO USE OZONE DEPLETING SUBSTANCES>
 Prohibited Substances:
 CFCs/Halon/Carbon tetrachloride/1,1,1-Trichloroethane (Methyl chloroform)
 Ⓞ This product, Assembly, or component must not contain any of the above mentioned substances.
 Ⓞ This product, Assembly, or component is not manufactured using any of the above mentioned substances.



PAPER: FITCHBURG 60-lb White Britekote
 ADHESIVE: FITCHBURG 630 permanent
 RELEASE LINER: FITCHBURG 40-lb Semi-bleach Kraft
 PIGMENT: Water Ink Technologies WG0421 (Jet Black)
 VARNISH: B.A.S.F. 79U5566 (Flexo Gem O. P.)
 ARTWORK SUPPLIED BY SMCA

REVISIONS		SCALE 1 / 1	UNIT mm	LAST LETTER USED				
4				1st	2nd	3rd	th	ISSUE
3				TYP.=TYPICAL		MODEL FAMILY		
2				REF.=REFERENCE		OTX		
1		TITLE		SCHEMATIC DIAGRAM				
MADE BY JULIAN MARTIN		APPROVALS		OTX ELECTROLUX				
MAT. NO.	FIN. NO.	PROCESS NO.	ISSUED	MDL. NO.	PARTS NO.			
DATE APRIL 20, 2005	MICROWAVE OVEN ENGINEERING		OTX ELUX	TMAPCB100MRR0				