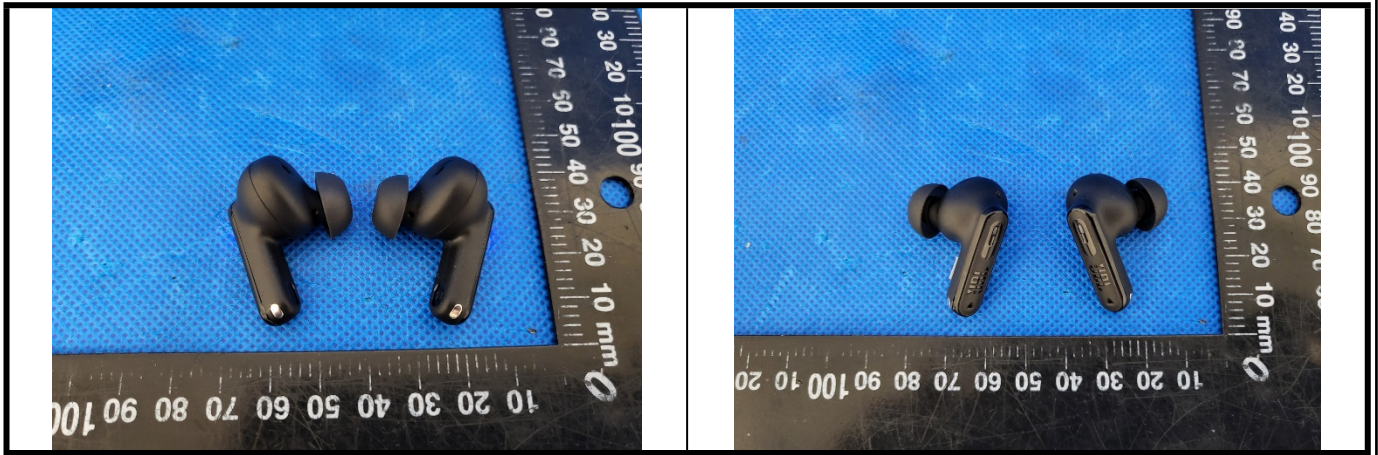
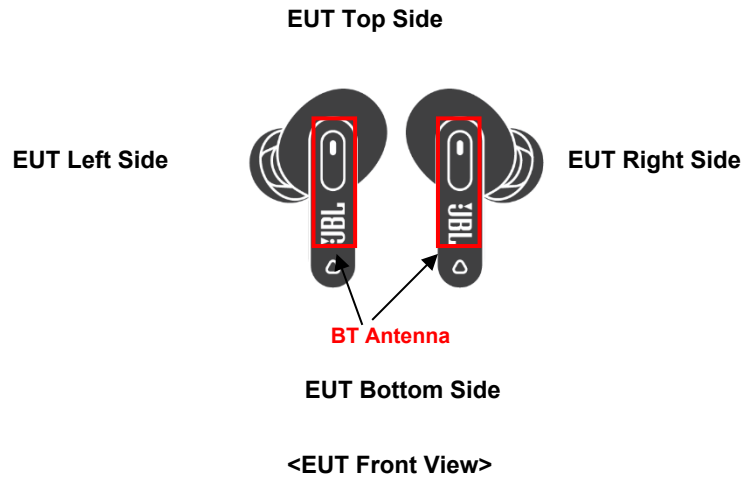


Photographs of EUT>



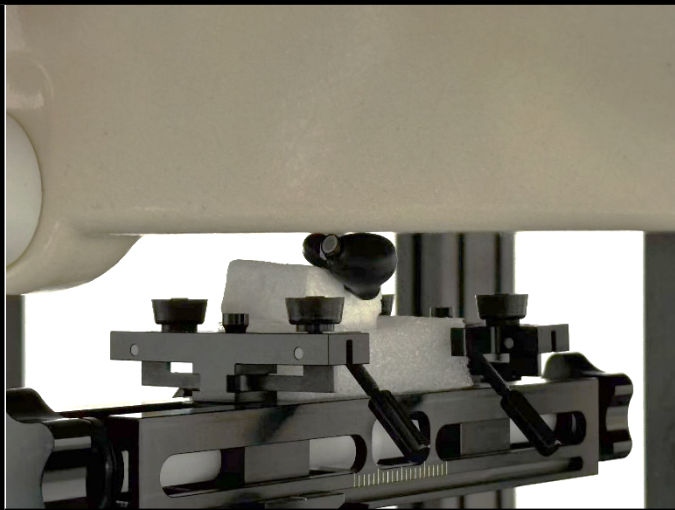
<Antenna Location>



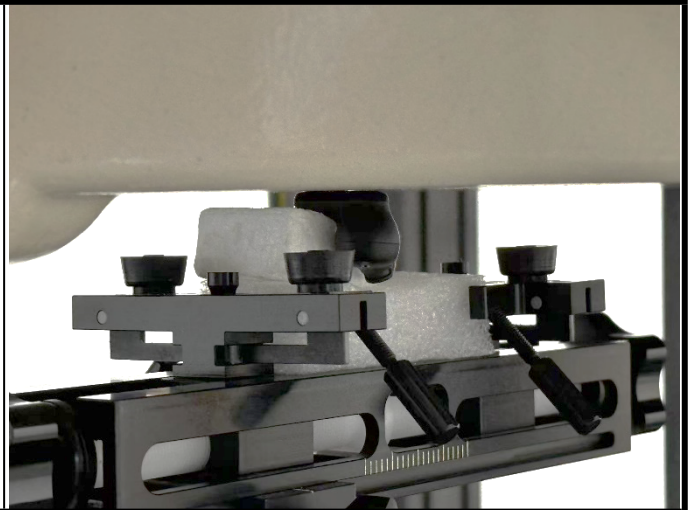
The separation distance for antenna to edge:

Antenna	To Front Side (mm)	To Rear Side (mm)	To Top Side (mm)	To Bottom Side (mm)	To Left Side (mm)	To Right Side (mm)
BT	0	0	0	0	0	0

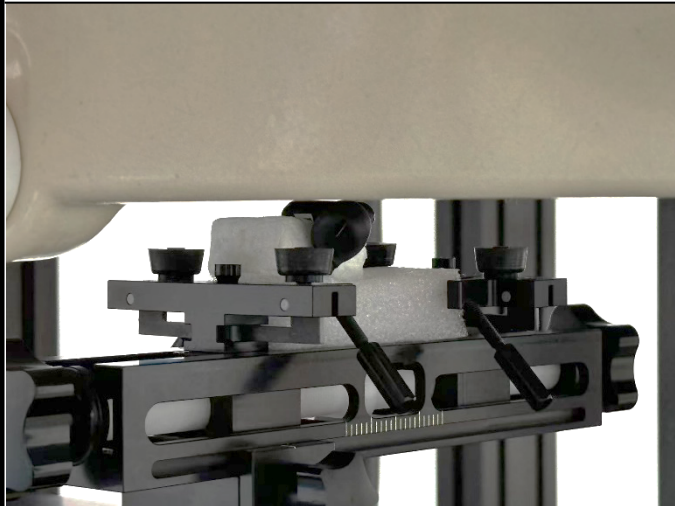
<Photographs of SAR Setup>



Inside of Left Earphone with 0 cm Gap



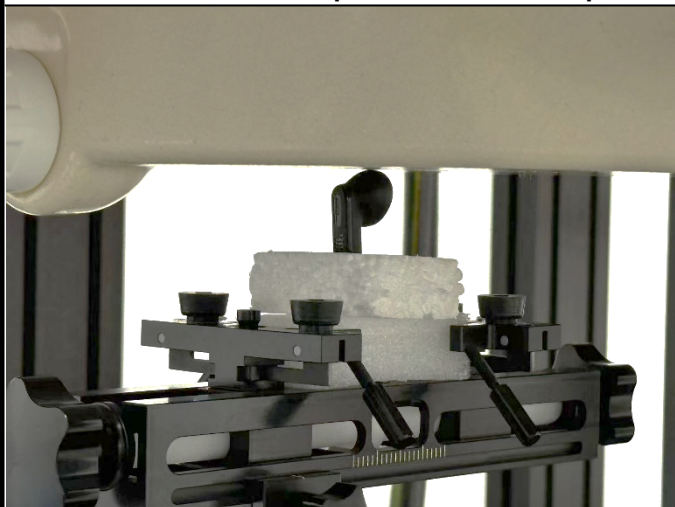
Rear Face of Left Earphone with 0 cm Gap



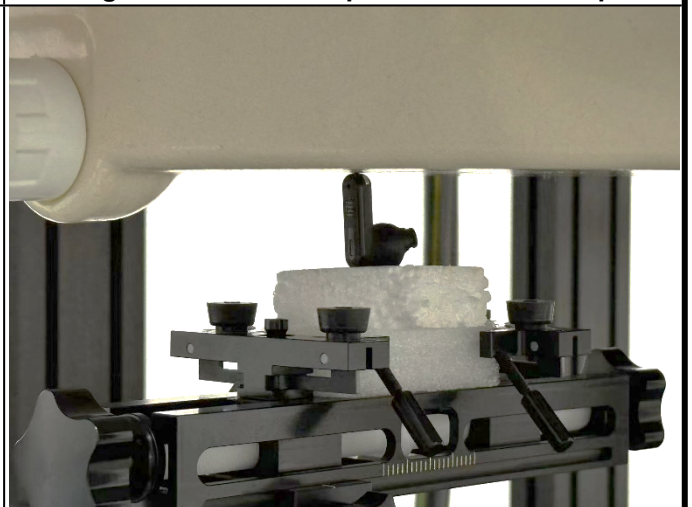
Left Side of Left Earphone with 0 cm Gap



Right Side of Left Earphone with 0 cm Gap



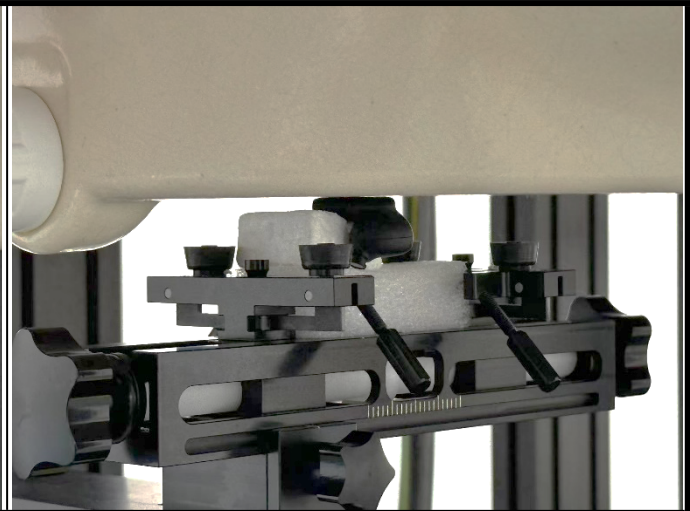
Top Side of Left Earphone with 0 cm Gap



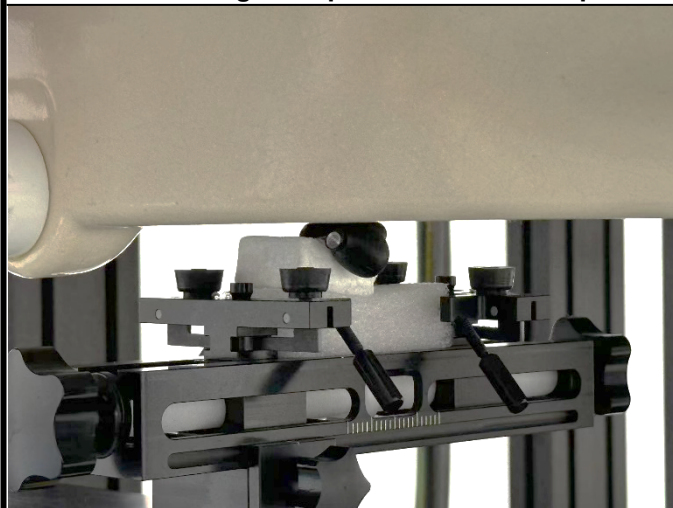
Bottom Side of Left Earphone with 0 cm Gap



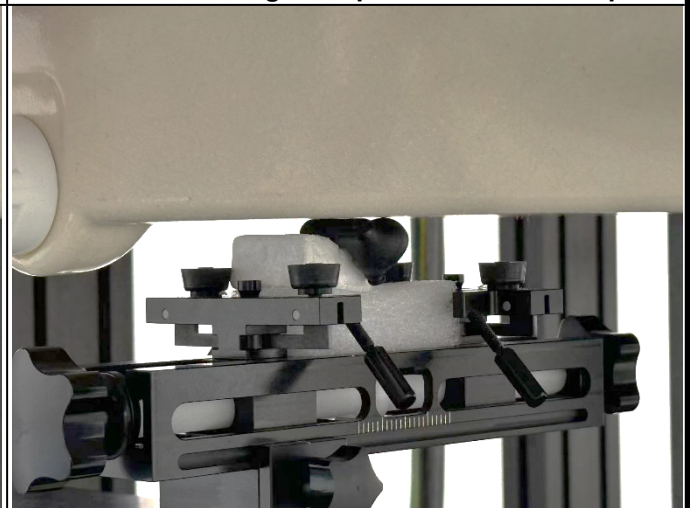
Inside of Right Earphone with 0 cm Gap



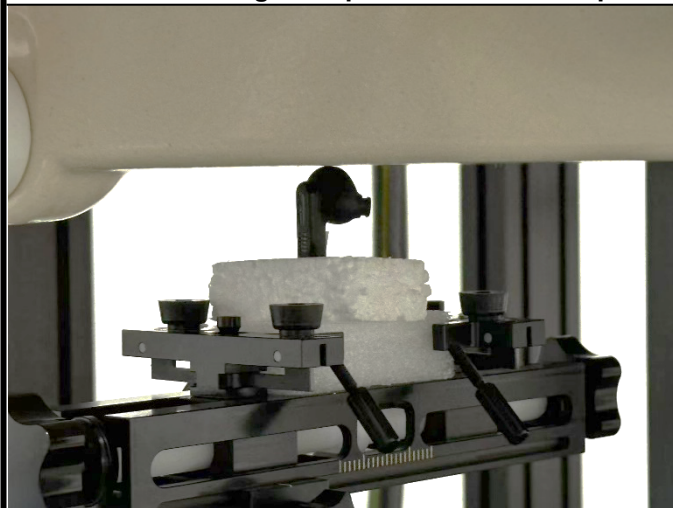
Rear Face of Right Earphone with 0 cm Gap



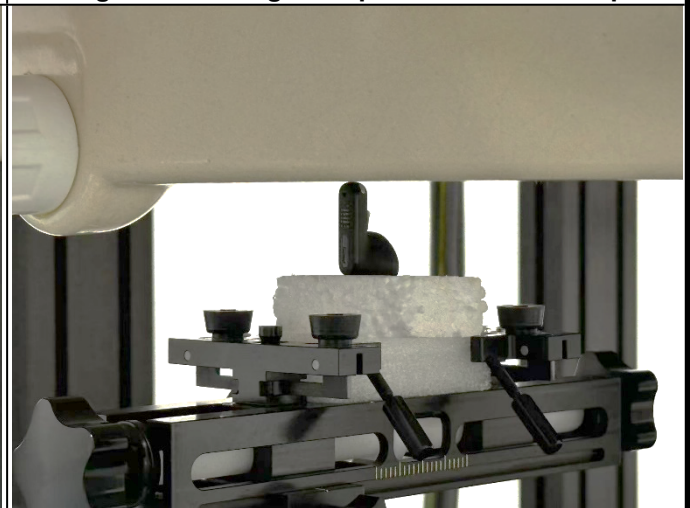
Left Side of Right Earphone with 0 cm Gap



Right Side of Right Earphone with 0 cm Gap



Top Side of Right Earphone with 0 cm Gap



Bottom Side of Right Earphone with 0 cm Gap