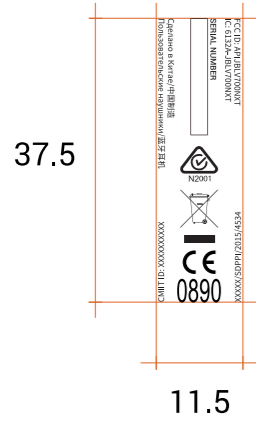




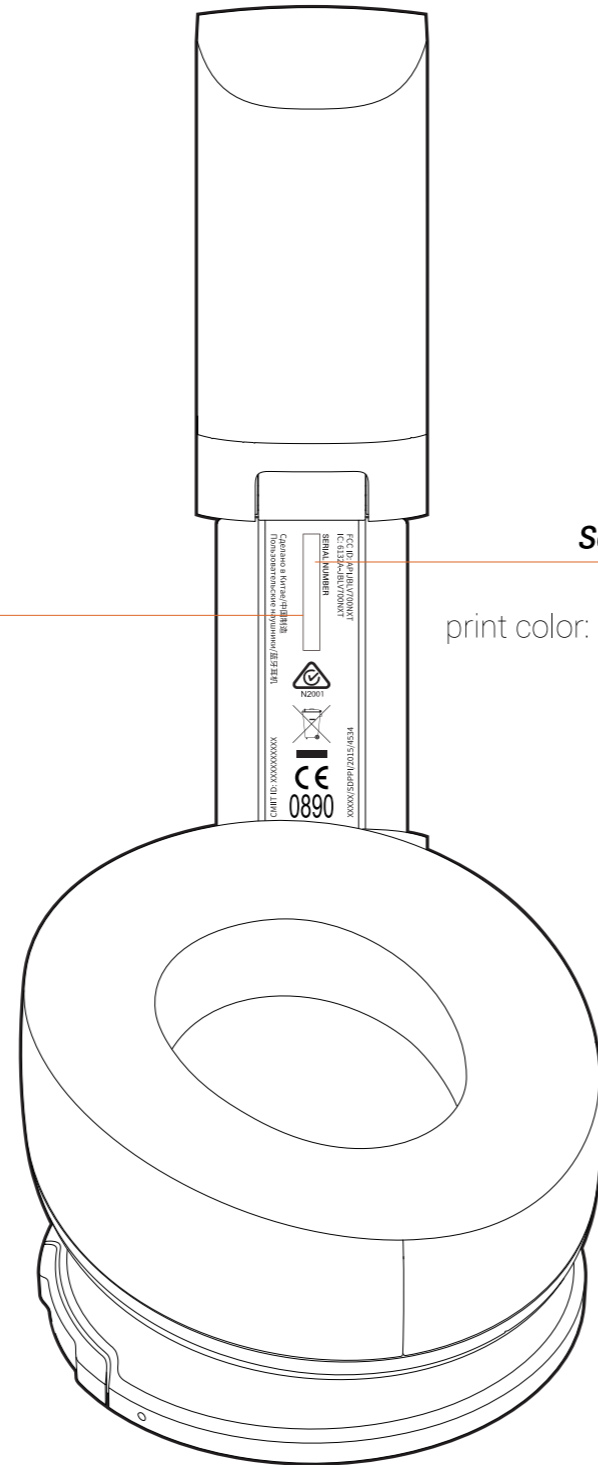
PHNX AE ANC HEADPHONES / COMPLIANCES

Artworks - Scale 1:1 - Unit: mm - 05/08/2015



material: laser etching
 finishes: matte
 color:
 #black: PANTONE Black 6C
 #white: PANTONE 428C
 #blue: PANTONE Black 6C

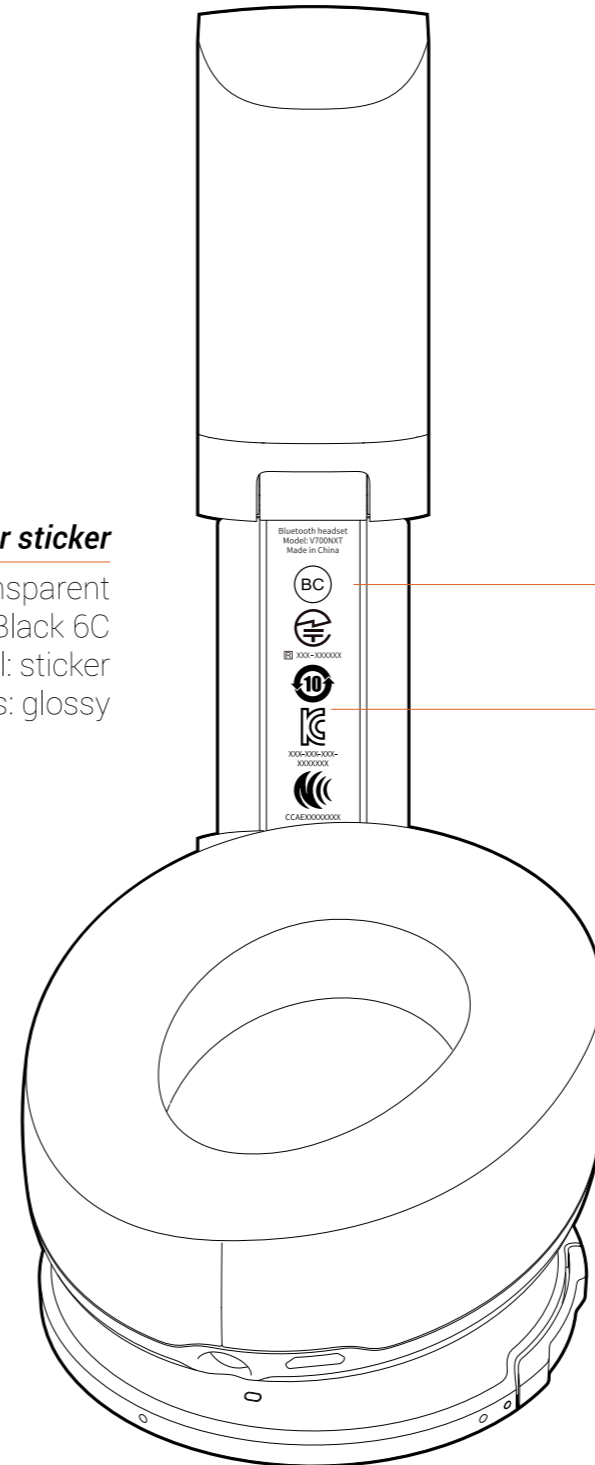
Compliances / Plastic part



Left inside

Serial number sticker

color: transparent
 print color: PANTONE Black 6C
 material: sticker
 finishes: glossy



Right inside

material: plastic abs+pc
 finishes: matte
 color:
 #black: PANTONE Black 6C
 #white: PANTONE 428C
 #blue: PANTONE Black 6C

Slider mechanism

Compliances / Plastic part

material: laser etching
 finishes: matte
 color:
 #black: PANTONE Black 6C
 #white: PANTONE 428C
 #blue: PANTONE Black 6C

