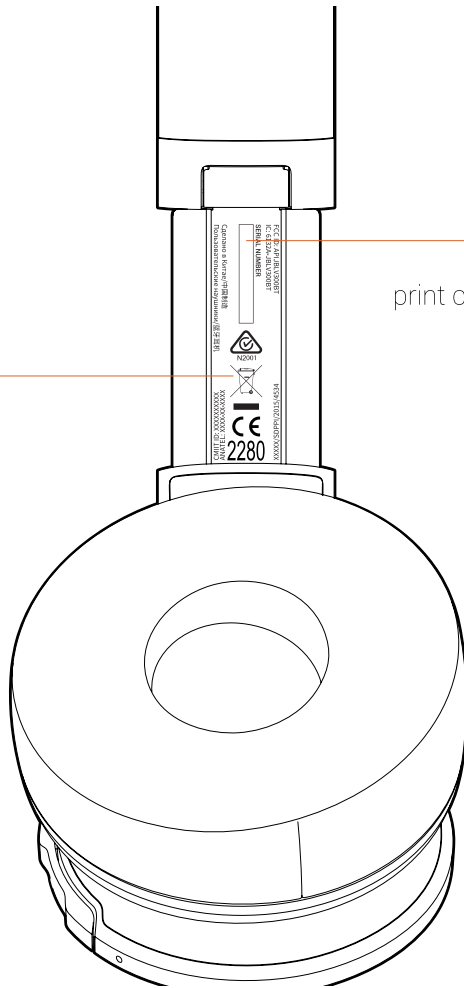




10.2

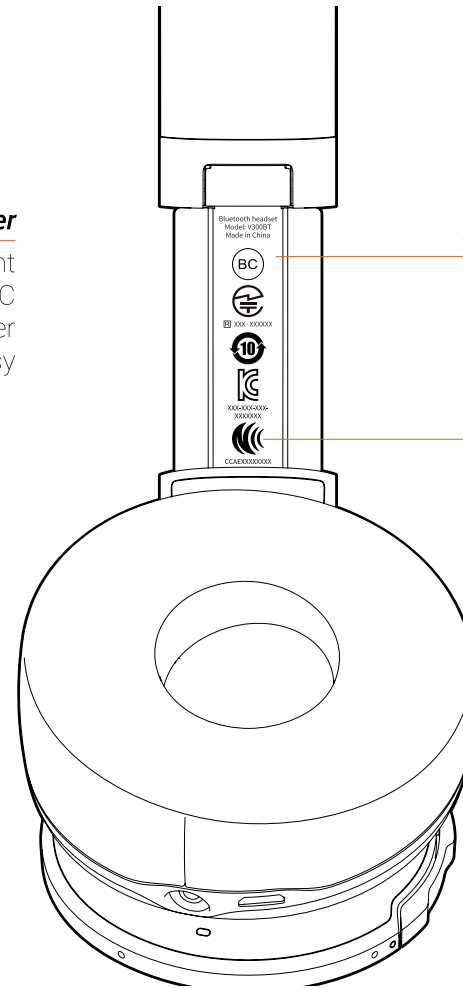
**Compliances / Plastic part**

material: laser etching  
finishes: matte  
color:  
#black: PANTONE Black 6C  
#white: apple white  
#pink: PANTONE 213C  
#light blue: PANTONE 2925C



**Serial number sticker**

color: transparent  
print color: PANTONE Black 6C  
material: sticker  
finishes: glossy



material: plastic abs+pc  
finishes: matte  
color:  
#black: PANTONE Black 6C  
#white: apple white  
#pink: PANTONE 213C  
#light blue: PANTONE 2925C

**Inner slider part**

**Compliances / Plastic part**

material: laser etching  
finishes: matte  
color:  
#black: PANTONE Black 6C  
#white: apple white  
#pink: PANTONE 213C  
#light blue: PANTONE 2925C



9.0