

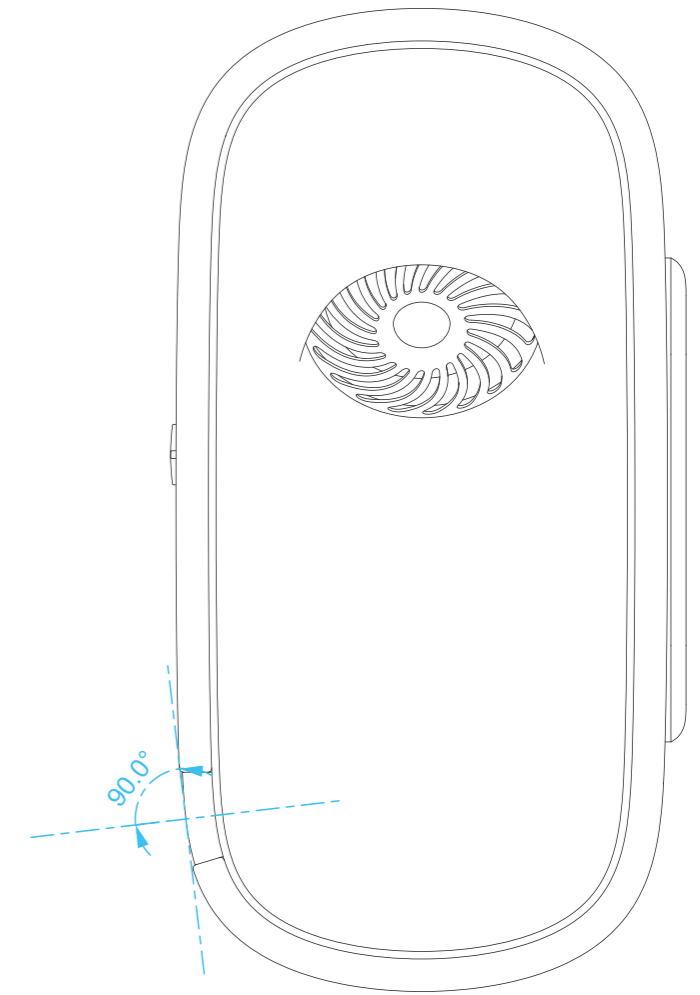
TOP VIEW

BACK SIDE

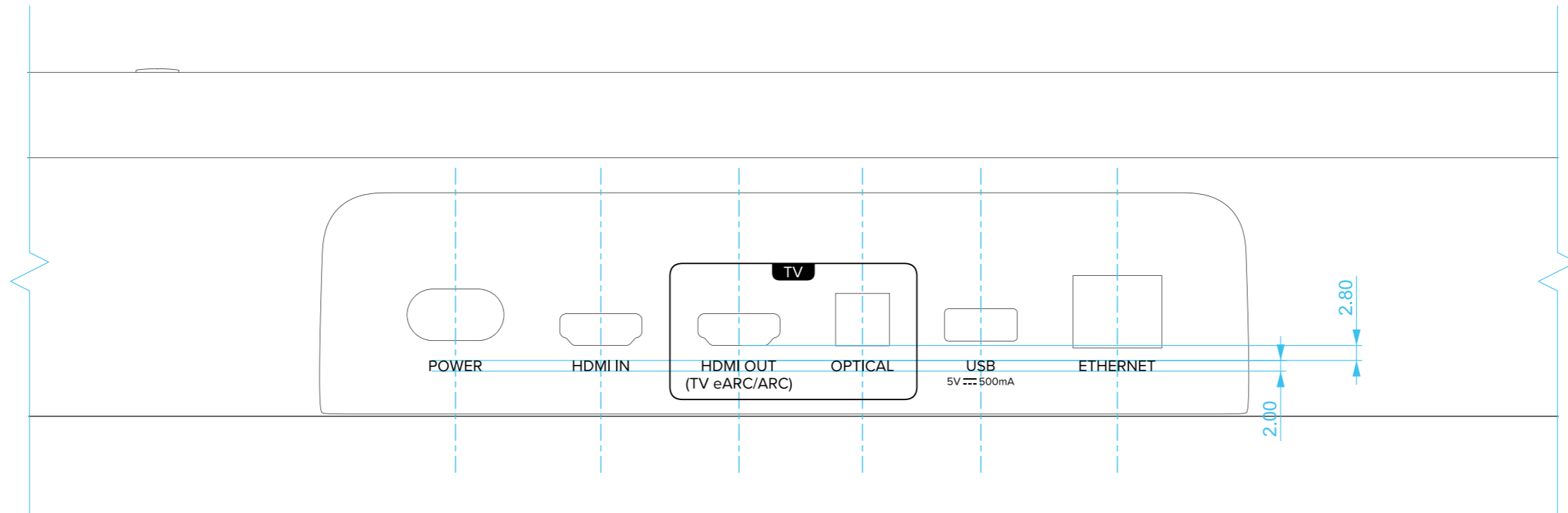


FRONT SIDE

RIGHT VIEW



BACK VIEW



ENCHANT 900
ARTWORK_V11
COMPLIANCE

Design: Theron Cheng
Date: 2024-09-14

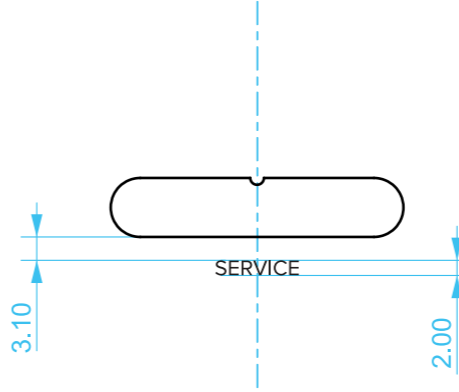
Scale: 1:1 (A3), Units: mm

V10: 更新社比語別字, 更新HDMI文字内容为最新.

harman/kardon

Wireless Multi-Channel Soundbar/무선 다중 채널 사운드 바 MODEL/모델명: ENCHANT 900 INPUT/정격입력: 100-240V~, 50/60Hz, 100W

Manufacturer: Harman International Industries, Incorporated, 8500 Balboa Blvd, Northridge, CA 91329, UNITED STATES. European Representative: Harman International Industries, Incorporated EMEA Liaison Office, Danzigerkade 16G, 1013 AP Amsterdam, The Netherlands. UK business address: Ground Floor, Westside 2, London Road, Apsley, Hemel Hempstead, Hertfordshire, HP3 9TD, United Kingdom. Dolby, Dolby Vision, Dolby Atmos, and the double-D symbol are registered trademarks of Dolby Laboratories Licensing Corporation. Manufactured under license from Dolby Laboratories. Confidential unpublished works. Copyright © 2012-2021 Dolby Laboratories. All rights reserved. The terms HDMI, HDMI High-Definition Multimedia Interface, HDMI trade dress and the HDMI Logos are trademarks or registered trademarks of HDMI Licensing Administrator, Inc. Made in China/Сделано в Китае/중국산 電波法によりS. 2/5. 3GHz帯は屋内使用に限ります A/S 연락처: 02-553-3494. FCC ID: APIENCHANT900 IC: 6132A-ENCHANT900 This device complies with Part 15 of the FCC rules and contains license-exempt transmitter(s)/receiver(s) that comply with Innovation, Science and Economic Development Canada's licence-exempt RSS standard(s). Operation is subject to the following two conditions: (1) This device may not cause harmful interference, and (2) this device must accept any interference received, including interference that may cause undesired operation. CAN ICES(B) / NMB(B)



COMPATIBLE WITH
Dolby Vision
Dolby Atmos

