



# JBL CINEMA™ BASE

Quick Start Guide



**Note:** For complete information about using your JBL Cinema Base download the complete Owner's Manual from [www.jbl.com](http://www.jbl.com)



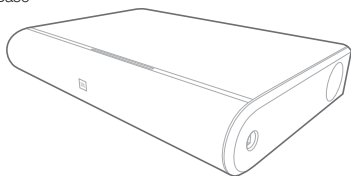
# JBL CINEMA™ BASE

Quick Start Guide

Guide de démarrage rapide

## 1 What's in the box

Cinema Base



x 1

Remote



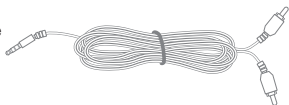
x 1

Optical cable



x 1

Analog aux cable



x 1

HDMI cable



x 1

Power cable



x 1

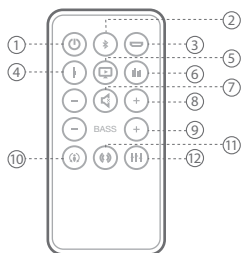
# JBL CINEMA™ BASE

## Quick Start Guide

Guide de démarrage rapide

### 2 Buttons and Controls

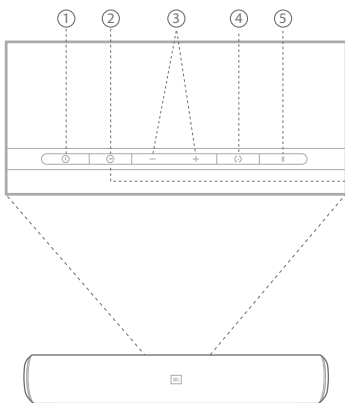
#### 2a. Remote control



- 1) Power on / Stand by
- 2) Bluetooth
- 3) HDMI ARC
- 4) Aux-in
- 5) Optical
- 6) Audio feedback on/off
- 7) Mute
- 8) Volume +/-
- 9) Bass volume +/-
- 10) Harman Display Surround
- 11) Stereo
- 12) Harman volume

**Note:** Before using the remote control, remove the plastic tab protecting the battery at the bottom of the remote control.

#### 2b. Cinema Base top panel



- 1) Power on / Stand by
- 2) Source selection
- 3) Volume +/-
- 4) Surround mode
- 5) Bluetooth source / Pairing

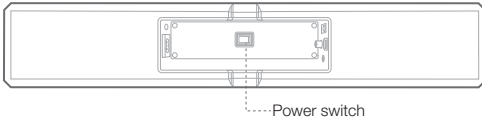
Source	LED behavior	LED Color
Aux-in Analog		●
Optical audio in		●
HDMI TV (ARC)		●

# JBL CINEMA™ BASE

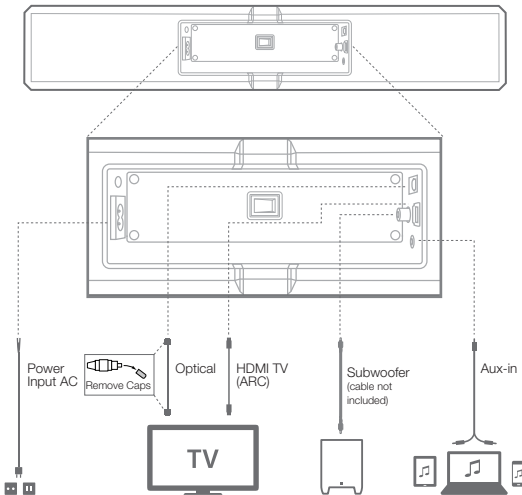
## Quick Start Guide

### Guide de démarrage rapide

#### 2c. Cinema Base rear panel



### 3 Connections



**Note:** Please ensure your television features HDMI Audio Return Channel (ARC) before using the HDMI connection. Refer to your television owner's manual to activate the feature. If you are not getting audio while using HDMI on your television, please use an optical or analog connection instead.

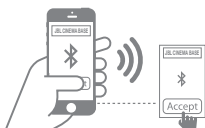
**Note:** After you are done with your installation and source connections, please ensure the power switch on the soundbase is on before operating the system.

# JBL CINEMA™ BASE

Quick Start Guide

Guide de démarrage rapide

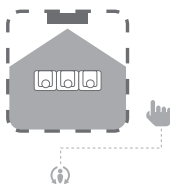
## 4 Bluetooth pairing



	LED behavior
No device connected	●
Pairing mode	⚡
Device connected	●



## 5 Stereo / Harman Display surround



	LED behavior
Stereo mode	●
Harman Display Surround	●

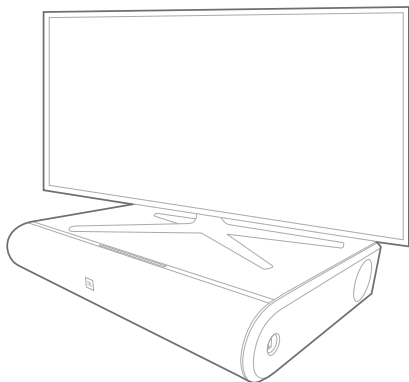


# JBL CINEMA™ BASE

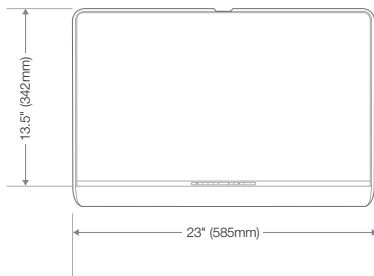
Quick Start Guide

Guide de démarrage rapide

## 6 TV placement



**Warning Note:** Please be careful while placing/moving the TV foot. It may scratch/damage the leather casing at the top of your Cinema Base.



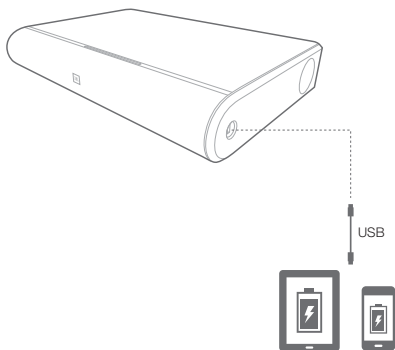
**Note:** Maximum TV Stand Size (L x W): 23" x 13.5" (585mm x 342mm). TV stands are recommended to fit within the designated area. Cinema Base supports TVs with weights up to 50lbs (22.6kg)

# JBL CINEMA™ BASE

## Quick Start Guide

### Guide de démarrage rapide

#### 7 Charging external devices



**Note:** USB is designed for charging and software updates only. USB will not support direct-connect audio streaming.

#### 8 Remote learning feature

The Cinema Base has the ability to learn the volume control and power infrared (IR) codes of your IR TV remote control.

Get your Cinema Base to control TV Volume (in operational mode) using this simple procedure:

1. Press and hold the top panel 'Surround' key until the system enters learning mode (the LED will blink orange).
2. VOLUME + : Press 'Volume +' on the soundbar and then press 'Volume +' on the TV remote control.
3. VOLUME - : Press 'Volume -' on the soundbar and then press 'Volume -' on the TV remote control.
4. MUTE: Press 'Volume +' and 'Volume -' together on the soundbar and then press 'Mute' on the TV remote control.
5. POWER: Power On your soundbar by pressing the 'Power' key on the soundbar and then pressing the 'Power' key on the TV remote control.

**Note:** After each TV IR code is successfully learned the blinking orange LED will turn white for 1 second. The Cinema Base is ready to learn the next key after the white LED disappears and the blinking orange LED restarts.

Press and hold the panel 'Surround' key again to exit learning mode (The orange LED will stop blinking).

# JBL CINEMA™ BASE

---

## Quick Start Guide

### Guide de démarrage rapide

#### EN

- Frequency response: 45Hz – 20kHz
- Maximum SPL: 100dB
- Total amplifier power: 240W
- Speakers: left and right 2.5" (65mm) full range drivers and dual 3.5" (90mm) subwoofers
- Dolby® Digital Decoding
- One HDMI® output with Audio Return Channel (ARC)
- Bluetooth® connectivity
- One stereo analog-audio input
- One optical digital input
- One USB port for device charging and software update
- One subwoofer output (optional external subwoofer not included)
- Dimensions: (L x W x H): 23.6" x 15.8" x 4" (600 x 401.6 x 102mm)
- Weight: 22.3lb (10.1kg)
- Maximum TV weight: 150lbs (68kg)
- Maximum TV stand size: (L x W): 23" x 13.5" (585 x 342mm)

#### FR

- Réponse en fréquences : 45 Hz – 20 kHz
- Pression sonore max. : 100 dB
- Puissance totale de l'amplificateur : 240 W
- Haut-parleurs : haut-parleurs gauches et droits pleine gamme de 65 mm (2,5") et deux haut-parleurs de graves de 90 mm (3,5")
- Décodage Dolby® Digital
- Une sortie HDMI® avec canal de retour audio (ARC, Audio Return Channel)
- Connectivité Bluetooth®
- Une entrée audio analogique stéréo
- Une entrée numérique optique
- Une prise USB pour la charge d'appareils et les mises à jour de logiciel
- Une sortie de caisson de graves (caisson de graves externe en option non inclus)
- Dimensions : (L x P x H) : 600 x 401,6 x 102 mm (23,6" x 15,8" x 4")
- Poids : 10,1 kg (22,3 lb)
- Poids maximal du téléviseur : 68 kg (150 lb)
- Dimensions max. du pied du téléviseur : (L x P) : 585 x 342 mm (23" x 13,5")



# JBL CINEMA™ BASE

---

## Quick Start Guide

### Guide de démarrage rapide

#### ES

- Intervalo de frecuencias: 45 Hz – 20 kHz
- SPL máximo: 100 dB
- Potencia del amplificador total: 240 W
- Altavoces: Unidades de gama completa izquierda y derecha de 2,5" (65 mm) y subwoofers duales de 3,5" (90 mm)
- Decodificación Dolby® Digital
- Una salida HDMI® con canal de retorno de audio (ARC)
- Conectividad Bluetooth®
- Una entrada de audio analógica estéreo
- Un entrada óptica digital
- Un puerto USB para cargar el dispositivo y actualizar el software
- Una salida de subwoofer (subwoofer externo opcional no incluido)
- Dimensiones: (Ancho x Alto x Profundidad): 600 x 401,6 x 102 mm
- Peso: 10,1 kg
- Peso máximo del televisor: 68 kg
- Tamaño máximo del soporte del televisor: (Largo x Ancho): 585 x 342 mm

#### PT

- Resposta de frequência: 45 Hz a 20 kHz
- SPL máximo: 100 dB
- Potência total do amplificador: 240 W
- Alto-falantes: drivers full-range esquerdo e direito de 2,5" (65 mm) e dois subwoofers duplos de 3,5" (90 mm)
- Dolby® Digital Decoding
- Uma saída HDMI® com Audio Return Channel (ARC)
- Conectividade Bluetooth®
- Uma entrada analógica de áudio estéreo
- Uma entrada ótica digital
- Uma porta USB para carregar dispositivos e atualizar softwares
- Uma saída de subwoofer (subwoofer externo opcional não incluído)
- Dimensões: (C x L x A): 23,6" x 15,8" x 4" (600 x 401,6 x 102 mm)
- Peso: 22,3 lb (10,1 kg)
- Peso máximo da TV: 150 kg (68 kg)
- Tamanho máximo do stand da TV: (C x L): 23" x 13,5" (585 x 342 mm)

# JBL CINEMA™ BASE

---

## Quick Start Guide

### Guide de démarrage rapide

#### DE

- Frequenzgang: 45Hz – 20kHz
- Maximaler Schalldruckpegel: 100 dB
- Verstärkerleistung: 240W
- Lautsprecher: links und rechts 65mm (2,5")-Komplettkanäle und duale 90mm (2,5")-Subwoofer
- Dolby® Digital Decoding
- Ein HDMI®-Ausgang mit ARC (Audio Return Channel)
- Bluetooth®-Konnektivität
- Ein analoger Stereo-Audioeingang
- Ein optischer Digital-Eingang
- Ein USB-Anschluss für das Aufladen von Geräten und Software-Aktualisierungen
- Ein Subwoofer-Ausgang (optionaler externer Subwoofer nicht im Lieferumfang enthalten)
- Abmessungen: (L x B x T): 600 x 401,6 x 102mm
- Gewicht: 10,1 kg (22,3lb)
- Maximales TV-Gewicht: 68kg (150lbs)
- Maximale Größe des TV-Sockels: (L x B) 585 x 342mm

#### IT

- Risposta in frequenza: 45Hz – 20kHz
- SPL Massimo: 100dB
- Potenza Totale Amplificatore: 240W
- Diffusori: sinistro e destro a gamma intera da 65mm e doppio subwoofer da 90mm
- Decodifica Dolby® Digital
- Uscita HDMI® con Audio Return Channel (ARC)
- Connettività Bluetooth®
- Un ingresso audio stereo analogico
- Un ingressodigitaleottico
- Unaporta USB per la ricarica di dispositivi e aggiornamenti software
- Uscita subwoofer output (subwoofer esternoopzionale non incluso)
- Dimensioni: (L x P x A) 600 x 401.6 x 102mm
- Peso: 10.1kg
- Massimo peso del TV weight: 68kg
- Dimensioni massime del piedistallo del TV: (L x P): 585 x 342mm

# JBL CINEMA™ BASE

---

## Quick Start Guide

### Guide de démarrage rapide

#### NL

- Frequentiebereik: 45Hz – 20kHz
- Maximum SPL: 100dB
- Totale uitgangsvermogen: 240W
- luidsprekers: links en rechts 2.5" (65mm) full range drivers en dual 3.5" (90mm) subwoofers
- Dolby® Digital Decoding
- Een HDMI® uitgang met Audio Return Channel (ARC)
- Bluetooth® connectiviteit
- Een enkele analoge audio-invoer
- Een optische digitale ingangaansluiting
- Een USB-poort voor opladen van apparaten en voor software-update
- Een subwoofer-uitgang (optionele externe subwoofer niet inbegrepen)
- Afmetingen: (L x B x H): 600 x 401.6 x 102mm
- Gewicht: 10,1kg
- Maximale gewicht tv: 68kg
- Maximale afmeting tv-stand: (L x B): 585 x 342mm

#### NO

- Frekvensrespons: 45Hz – 20kHz
- Maksimal SPL: 100 dB
- Forsterkereffekt: 240 W
- Høyttalere: venstre og høyre 2,5" (65 mm) full range drivere og doble 3,5" (90 mm) subwoofere
- Dolby® digital dekoding
- En HDMI®-utgang med Audio Return Channel (ARC)
- Bluetooth®-tilkobling
- En stereo analog-lydingang
- Én optisk digital inngang
- En USB-inngang for lading av enheten og oppdatering av programvare
- En subwoofer-utgang (optimal eksternt subwoofer ikke inkludert)
- Mål: (L x B x H): 23,6" x 15,8" x 4" (600 x 401,6 x 102 mm)
- Vekt: 10,1 kg
- Maksimal TV-høyde: 68kg
- TV-stativets maksimale høyde: (L x B): 23" x 13,5" (585 x 342 mm)

# JBL CINEMA™ BASE

## Quick Start Guide

### Guide de démarrage rapide

#### FI

- Taajuusvaste: 45Hz – 20kHz
- Maksimi SPL: 100 dB
- Kokonaislähtöteho: 240 W
- Kaiuttimet: vasen ja oikea 2,5" (65 mm) full range -kaiutinelementit ja 3,5" (90 mm) kaksoissubwooferit
- Dolby® Digital Decoding
- Yksi HDMI®-lähtö äänipaluukanava (ARC) -toiminnolla
- Bluetooth®-yhdistettävyyys
- Yksi analoginen stereoäänen sisääntulo
- Yksi optinen digitaalinen tulo
- Yksi USB-portti matkapuhelimen latausta ja ohjelmistopäivityksiä varten
- Yksi subwooferilähtö (valinnainen ulkoinen subwoofer ei kuulu toimitukseen)
- Mitat: (P x L x K): 23,6" x 15,8" x 4" (600 x 401,6 x 102 mm)
- Paino: 22,3 lb (10,1 kg)
- TV:n maksimipaino: 150 lbs (68 kg)
- TV-telineen maksimikoko: (P x L): 23" x 13,5" (585 x 342 mm)

#### RU

- Частотная характеристика: 45 Гц – 20 кГц
- Максимальный уровень звукового давления: 100 дБ
- Общая мощность усилителя: 240 Вт
- Динамики: левая и правая полнодиапазонные мембранные головки 65 мм (2,5 дюйма) и спаренный сабвуфер 90 мм (3,5 дюйма)
- Декодирование Dolby® Digital
- Один выход HDMI® с технологией Audio Return Channel (ARC)
- Подключение через Bluetooth®
- Один аналоговый стереофонический аудиовход
- Один оптический цифровой вход
- Один USB-порт для зарядки устройств и обновления ПО
- Один выход для сабвуфера (дополнительный внешний сабвуфер не входит в комплект поставки)
- Габариты: (Д x Ш x В): 600 x 401,6 x 102 мм (23,6 x 15,8 x 4 дюйма)
- Вес: 10,1 кг (22,3 фунта)
- Максимальная масса телевизора: 68 кг (150 фунтов)
- Максимальный размер стойки телевизора: (Д x Ш): 585 x 342 мм (23 x 13,5 дюйма)

# JBL CINEMA™ BASE

---

## Quick Start Guide

### Guide de démarrage rapide

#### SV

- Frekvensomfång: 45 Hz–20 kHz
- Max SPL: 100 dB
- Total förstärkareffekt: 240 W
- Högtalare: Vänster och höger 65 mm (2,5 tum) fullfrekvenselement och dubbla 90 mm (3,5 tum) subwoofers
- Dolby® Digital Decoding
- En HDMI®-utgång med Audio Return Channel (ARC)
- Bluetooth®-anslutning
- En analog stereoljudingång
- En digital optisk ingång
- En USB-port för uppladdning av olika enheter och programvaruuppdateringar
- En subwoofer-utgång (extra extern subwoofer medföljer inte)
- Mått: (L x B x H): 600 x 401,6 x 102 mm (23,6 x 15,8 x 4 tum)
- Vikt: 10,1 kg (22,3 lb)
- Max vikt för TV: 68 kg (150 lb)
- Max storlek för TV-stativ: (L x B): 585 x 342 mm (23 x 13,5 tum)

#### DA

- Frekvensområde: 45 Hz – 20 kHz
- Maks. SPL: 100 dB
- Samlet forstærkereffekt: 240 W
- Højtalere: venstre og højre 65 mm full range-driver og dobbelte 90 mm subwoofere
- Dolby® Digital afkodning
- 1 HDMI®-udgang med Audio Return Channel (ARC)
- Bluetooth®-forbindelse
- 1 stereo analog-lydindgang
- 1 optisk digitaludgang
- 1 USB-port til opladning af enheden og softwareopdatering
- 1 subwoofer-udgang (valgfri ekstern subwoofer medfølger ikke)
- Mål: (L x B x H): 600 x 401,6 x 102 mm
- Vægt: 10,1 kg
- Tv'ets maksimale vægt: 68 kg
- Tv-stativets maksimale størrelse: (L x B): 585 x 342 mm

# JBL CINEMA™ BASE

## Quick Start Guide

## Guide de démarrage rapide

### JP

- 周波数特性: 45Hz~20kHz
- 最大音圧レベル: 100dB
- トータルのアンプ出力: 240W
- スピーカー: 左右2.5インチ(65mm)フルレンジ・ドライバーおよび3.5インチ(90mm)サブウーファー
- Dolby®デジタル・デコーディング
- オーディオ・リターン・チャンネル(ARC)を備えた、HDMI®出力1系統
- Bluetooth®接続
- ステレオ・アナログオーディオ入力1系統
- 1系統の光デジタル入力
- 機器充電およびソフトウェア・アップデート用USBポート1系統
- サブウーファー出力(オプション外部サブウーファーは別売)1系統
- 寸法(奥行x幅x高さ): 23.6インチx15.8インチx4インチ(600 x 401.6 x 102mm)
- 重量: 22.3ポンド(10.1kg)
- 最大TV重量: 150ポンド(68kg)
- TVスタンドの最大サイズ: (奥行x幅): 23インチx13.5インチ(585mm x 342mm)

### KO

- 주파수 응답: 45Hz ~ 20kHz
- 최대 SPL: 100dB
- 총 앰프 출력: 240W
- 스피커: 좌측 및 우측 2.5"(65mm) 전범위 드라이버 및 듀얼 3.5"(90mm) 서브우퍼
- Dolby® 디지털 디코딩
- ARC(Audio Return Channel)를 포함한 HDMI® 출력 1개
- 블루투스® 연결
- 스테레오 아날로그 오디오 입력 1개
- 광학 디지털 입력 1개
- 장치 충전 및 소프트웨어 업데이트용 USB 포트 1개
- 서브우퍼 출력 1개(외부 서브우퍼 옵션 미포함)
- 치수: (높이 x 너비 x 길이): 23.6" x 15.8" x 4" (600 x 401.6 x 102mm)
- 중량: 10.12kg (10.1kg)
- 최대 TV 중량: 150lbs (68kg)
- 최대 TV 스탠드 크기: (길이 x 너비): 23" x 13.5" (585 x 342mm)

# JBL CINEMA™ BASE

## Quick Start Guide

### Guide de démarrage rapide

#### CHT

- 頻率回應：45Hz – 20kHz
- 最大 SPL：100dB
- 放大器總功率：240W
- 喇叭：左和右 2.5" (65mm) 全音域驅動器和兩個 3.5" (90mm) 重低音喇叭
- Dolby® 數位解碼
- 一個 HDMI® 輸出 · 帶音訊回傳通道 (ARC)
- Bluetooth® 連接功能
- 一個立體聲類比音訊輸入
- 一個光纖數位輸入
- 一個 USB 連接埠 · 用於裝置充電和軟體更新
- 一個重低音喇叭輸出 (未隨附可選的外部重低音喇叭)
- 尺寸：(長 x 寬 x 高)：23.6" x 15.8" x 4" (600 x 401.6 x 102mm)
- 重量：22.3lb (10.1kg)
- 最大 TV 重量：150lbs (68kg)
- 最大 TV 支架大小：(長 x 寬)：23" x 13.5" (585 x 342mm)

#### CHS

- 頻率響應：45Hz – 20kHz
- 最大 SPL：100dB
- 功放總功率：240W
- 揚聲器：左和右 2.5" (65mm) 全範圍驅動器和雙 3.5" (90mm) 低音炮
- Dolby® Digital 解碼
- 1 個 HDMI® 輸出 · 支持音頻回傳通道 (ARC)
- Bluetooth® 連接
- 1 個立體聲模擬音頻輸入
- 1 個光學數字輸入
- 1 個 USB 端口 · 可為設備充電和進行軟體更新
- 1 個低音炮輸出 (不包括選配的外部低音炮)
- 尺寸：(長 x 寬 x 高)：23.6" x 15.8" x 4" (600 x 401.6 x 102mm)
- 重量：22.3lb (10.1kg)
- 最大電視重量：150lbs (68kg)
- 最大電視支架尺寸：(長 x 寬)：23" x 13.5" (585 x 342mm)

# JBL CINEMA™ BASE

---

## Quick Start Guide

### Guide de démarrage rapide

#### ID

- Respons frekuensi: 45Hz – 20kHz
- SPL Maksimum: 100dB
- Keseluruhan daya amplifier: 240W
- Speaker: driver jangkauan penuh kiri dan kanan 2,5" (65mm) dan subwoofer ganda 3,5" (90mm)
- Dolby® Digital Decoding
- Satu output HDMI® dengan Audio Return Channel (ARC)
- Konektivitas Bluetooth®
- Satu input audio-analog stereo
- Satu input digital optik
- Satu porta USB untuk pengisian daya perangkat dan pembaruan perangkat lunak
- Satu output subwoofer (subwoofer eksternal opsional tidak termasuk)
- Dimensi: (L x W x H): 23,6" x 15,8" x 4" (600 x 401,6 x 102mm)
- Berat: 22.3lb (10.1kg)
- Berat TV maksimum: 150lbs (68kg)
- Ukuran maksimum dudukan TV: (L x W): 23" x 13,5" (585 x 342mm)

The Bluetooth® word mark and logos are registered trademarks owned by Bluetooth SIG, Inc. and any use of such marks by HARMAN International Industries, Incorporated is under license. Other trademarks and trade names are those of their respective owners.

Manufactured under license from Dolby Laboratories. Dolby and the double-D symbol are trademarks of Dolby Laboratories.

The terms HDMI, the HDMI logo, and High-Definition Multimedia Interface are trademarks or registered trademarks of HDMI Licensing LLC in the United States and other countries.