

User's Manual

(for ThinkPad G40 and X40 Series)

The attachment is the part of the user's manual of the specific host devices (IBM ThinkPad G40 and X40 Series) that indicates the regulatory notices concerning the FCC Part 15 and IC RSS-210/102.

The notice consists of two separate packages which are delivered associated with each host PC device.

PN (Part Number) 92P2247 : for ThinkPad G40 Series
(wireless card, pre-installed model)

92P2250 : for ThinkPad X40 Series
(wireless card, user installable model)

The manual for X30 Series is omitted thanks to the similar contents to X40 Series.



ThinkPad[®] G40 Series (G41) Regulatory Notice

First Edition (August 2004)

The following paragraph does not apply to the United Kingdom or any country where such provisions are inconsistent with local law:

INTERNATIONAL BUSINESS MACHINES CORPORATION PROVIDES THIS PUBLICATION "AS IS" WITHOUT ANY WARRANTY OF ANY KIND, EITHER EXPRESS OR IMPLIED, INCLUDING, BUT NOT LIMITED TO, THE LIMITED WARRANTIES OF MERCHANTABILITY OR FITNESS FOR A PARTICULAR PURPOSE. Some states do not allow disclaimers or express or implied warranties in certain transactions; therefore, this statement may not apply to you.

This publication could include technical inaccuracies or typographical errors. Changes are periodically made to the information herein; these changes will be incorporated in new editions of the publication. IBM may make improvements or changes in the products or the programs described in this publication at any time.

It is possible that this publication may contain reference to, or information about, IBM products (machines and programs), programming, or services that are not announced in your country. Such references or information must not be construed to mean that IBM intends to announce such IBM products, programming, or services in your country.

Requests for technical information about IBM products should be made to your IBM authorized dealer or your IBM marketing representative.

© Copyright International Business Machines Corporation 2004. All rights reserved.

US Government Users Restricted Rights – Use, duplication or disclosure restricted by GSA ADP Schedule Contract with IBM Corp.

Contents

Read first — regulatory information. 1	Telecommunication notices 11
USA — Federal Communications Commission (FCC). 3	Industry Canada requirements 13
Canada — Industry Canada (IC) 7	Trademarks 15

Read first — regulatory information

Regulatory notice for ThinkPad G40 Series

This notice is a supplementary document of the *ThinkPad® G40 Series Service and Troubleshooting Guide*. Please read this document before you use the ThinkPad G40 Series computer.

The ThinkPad G40 Series computer complies with the radio frequency and safety standards of any country or region in which it has been approved for wireless use. You must install and use your ThinkPad computer in strict accordance with the instructions as described hereafter.

Avis de réglementation pour les ThinkPad G40 Series

Le présent avis est un document qui vient compléter le *Guide de maintenance et d'identification des incidents* ThinkPad G40 Series. Veuillez lire ce document avant d'utiliser l'ordinateur ThinkPad G40 Series.

L'ordinateur ThinkPad G40 Series est conforme aux normes de sécurité et de radiofréquence du pays ou de la région où son utilisation sans fil est agréée. Vous devez installer et utiliser votre ordinateur ThinkPad en respectant scrupuleusement les instructions décrites ci-après.

USA — Federal Communications Commission (FCC)

This device complies with part 15 of the FCC Rules. Operation is subject to the following two conditions:

1. This device may not cause harmful interference, and
2. this device must accept any interference received, including interference that may cause undesired operation.

Integrated Wireless Modules

- FCC ID: ANO20030500CMR, Model: T60H786-U (IBM 11b/g Wireless LAN Mini PCI Adapter)
- FCC ID: ANO20040600BTL, Model: AR5BMB-44 (IBM 11a/b/g Wireless LAN Mini PCI Adapter II)

Wireless LAN Mini-PCI Cards marketed in the USA and Canada do not support nor function in the extended channels (12ch, 13ch).

i) Installation of the integrated wireless module

The models T60H786-U (IBM 11b/g Wireless LAN Mini PCI Adapter) and AR5BMB-44 (IBM 11a/b/g Wireless LAN Mini PCI Adapter II) are preinstalled by IBM.

If one of your cards requires replacement via the proper steps shown in “Chapter 3. Getting help and service from IBM” of the ThinkPad G40 Series Service and Troubleshooting Guide, IBM will request you to send your computer with the card(s) to IBM so that IBM will repair it.

ii) The FCC RF Safety Requirement

The radiated output power of the integrated Wireless LAN Mini-PCI Card is far below the FCC radio frequency exposure limits. Nevertheless, the ThinkPad G40 computer shall be used in such a manner that the potential for human contact during normal operation is minimized as follows:

Use of Wireless options

If you find an indication “**Contains FCC ID: ANO20030500CMR**” or “**Contains FCC ID: ANO20040600BTL**” on the label at the bottom side of your ThinkPad computer, your computer contains a Wireless LAN Mini-PCI Card, preinstalled by IBM.

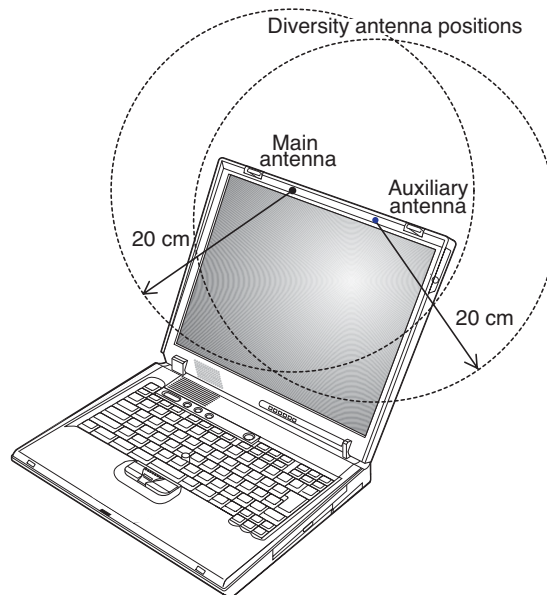
Please make sure of the following when you use a wireless option PC Card in your ThinkPad computer.

1. Visit the IBM site at www.ibm.com/pc/qtechinfo/MIGR-53286.html and confirm the updated list of RF option devices that have been approved to cooperate with the integrated wireless feature.
2. When you use any other RF option device that is not listed on the IBM site, all other wireless features including the integrated transmitter in your ThinkPad computer are required to be turned off.
3. Users are requested to follow the RF Safety instructions on wireless option devices that are included in the RF option device's user's manual.

CAUTION:

To comply with FCC RF exposure compliance requirements, a separation distance of at least 20 cm (8 inches) must be maintained between the antenna for the integrated Wireless LAN Mini-PCI Card built in to the screen section and all persons. You are not allowed to disable "standby mode" for the power management function, if you cannot maintain the sufficient antenna separation (at least 20 cm) in any case the LCD is left opened or closed.

- FCC ID: ANO20030500CMR, Model: T60H786-U
- FCC ID: ANO20040600BTL, Model: AR5BMB-44



Note: The models T60H786-U (IBM 11b/g Wireless LAN Mini PCI Adapter) and AR5BMB-44 (IBM 11a/b/g Wireless LAN Mini PCI Adapter II) implement transmission diversity function. The function does not emit radio frequencies simultaneously from both antennas. One of the antennas is selected automatically or manually (by users) to have good quality of radio communication.

iii) Radio Frequency Interference Requirements:

- An improper installation or unauthorized use may cause harmful interference to radio communications. Also, unauthorized changes or modifications could void the user's authority to operate the equipment.
Refer to the "Appendix C. Notices, Electronic emission notices" of the ThinkPad G40 Series Service and Troubleshooting Guide for more details.

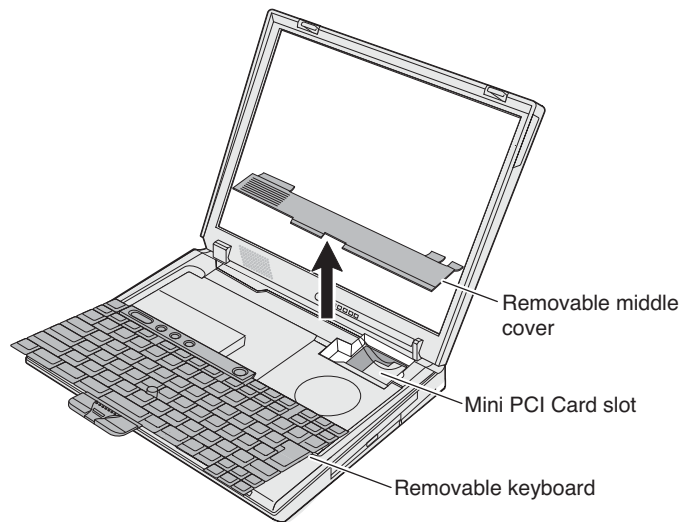
When the AR5BMB-44 (IBM 11a/b/g Wireless LAN Mini PCI Adapter II) is installed in your ThinkPad computer, please make sure that:

- This device is restricted to indoor use due to its operation in the 5.15 to 5.25 GHz frequency range. FCC requires this product to be used indoors for the frequency range 5.15 to 5.25 GHz to reduce the potential for harmful interference to co-channel Mobile Satellite systems.
- High power radar are allocated as primary users of the 5.25 to 5.35 GHz and 5.65 to 5.85 GHz bands. These radar stations can cause interference with and/or damage this device.

Canada — Industry Canada (IC)

Certification number

The certification number of Industry Canada for the IC: 349E-T60H786U, Model: T60H786-U (IBM 11b/g Wireless LAN Mini PCI Adapter) and IC: 349E-AR5BMB44, Model: AR5BMB-44 (IBM 11a/b/g Wireless LAN Mini PCI Adapter II) is affixed on the module installed in the Mini PCI Card slot as shown below.



Wireless LAN Mini-PCI Cards marketed in the USA and Canada do not support nor function in the extended channels (12ch, 13ch).

Low power license-exempt radiocommunication devices (RSS-210)

Operation is subject to the following two conditions:

1. This device may not cause interference, and
2. this device must accept any interference, including interference that may cause undesired operation of the device.

When you use the model AR5BMB-44 (IBM 11a/b/g Wireless LAN Mini PCI Adapter II):

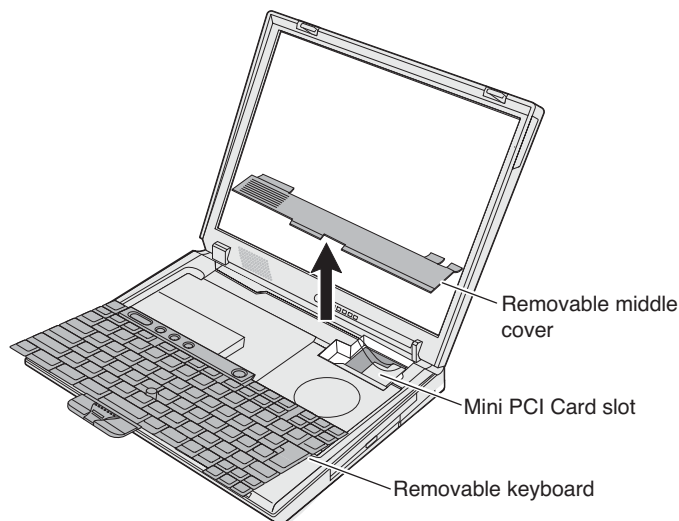
- The device for the band 5150–5250 MHz is only for indoor usage to reduce potential for harmful interference to co-channel Mobile Satellite systems.
- High power radars are allocated as primary users (meaning they have priority) of 5250–5350 MHz and 5650–5850 MHz and these radars could cause interference and/or damage to LELAN (Licence-Exempt Local Area Network) devices.

Exposure of humans to RF fields (RSS-102)

The ThinkPad G40 Series employs low gain integral antennas that do not emit an RF field in excess of Health Canada limits for the general population; consult Safety Code 6, obtainable from Health Canada's website "www.hc-sc.gc.ca/rpb".

Numéro d'homologation

Le numéro d'homologation délivré au Canada pour les cartes IC: 349E-T60H786U, Model: T60H786-U (IBM 11b/g Wireless LAN Mini PCI Adapter) et IC: 349E-AR5BMB44, Model: AR5BMB-44 (IBM 11a/b/g Wireless LAN Mini PCI Adapter II) est apposé sur le module installé dans l'emplacement réservé à la carte mini-PCI, comme illustré ci-dessous.



Les cartes de réseau local sans fil mini-PCI commercialisées aux Etats-Unis et au Canada ne prennent pas en charge les canaux étendus (12ch, 13ch) et ne fonctionnent donc pas sur de tels canaux.

Remarque relative aux appareils de communication radio de faible puissance sans licence (CNR-210)

Le fonctionnement de ce type d'appareil est soumis aux deux conditions suivantes:

1. Cet appareil ne doit pas perturber les communications radio, et
2. cet appareil doit supporter toute perturbation, y compris les perturbations qui pourraient provoquer son dysfonctionnement.

Lorsque vous utilisez le modèle AR5BMB-44 (IBM 11a/b/g Wireless LAN Mini PCI Adapter II):

- Tout appareil destiné à la bande 5150-5250 MHz devra être exclusivement utilisé en intérieur afin de réduire les risques de perturbations électromagnétiques gênantes sur les systèmes de satellite mobile dans un même canal.
- Les radars à forte puissance sont désignés comme les utilisateurs principaux (c'est-à-dire qu'ils sont prioritaires) des bandes 5250-5350 MHz et 5650-5850 MHz. Ils peuvent provoquer des perturbations électromagnétiques sur les appareils de type LELAN (réseau de communication local sans licence) ou les endommager.

Exposition des êtres humains aux champs radioélectriques (RF) (CNR-102)

Le ThinkPad G40 Series utilise des antennes intégrales à faible gain qui n'émettent pas un champ électromagnétique supérieur aux normes imposées par le Ministère de la santé canadien pour la population. Consultez le Safety Code 6 sur le site Web du Ministère de la santé canadien à l'adresse "www.hc-sc.gc.ca/rpb".

Telecommunication notices

Federal Communications Commission (FCC) and Telephone Company Requirements (Part 68 of the FCC Rules)

1. The Telephone Consumer Protection Act of 1991 makes it unlawful for any person to use a computer or other electronic device to send any message via a telephone fax machine unless such message clearly contains in a margin at the top or bottom of each transmitted page or on the first page of the transmission, the date and time it is sent, and an identification of the business or other entity, or other individual sending the message and the telephone number of the sending machine or such business, other entity, or individual.

In order to program this information into your computer, you should be sure to follow the installation instructions for your fax software package.

2. This equipment complies with Part 68 of the FCC rules and the requirements adopted by the ACTA. On this equipment is a label that contains, among other information, a product identifier in the format US:AAAEQ##TXXXX. If requested, this number must be provided to the telephone company.
3. The REN is used to determine the number of devices that may be connected to a telephone line. Excessive RENs on a telephone line may result in the devices not ringing in response to an incoming call. In most but not all areas, the sum of RENs should not exceed five (5.0). To be certain of the number of devices that may be connected to a line, as determined by the total RENs, contact the local telephone company. The REN for this product is part of the product identifier that has the format US:AAAEQ##TXXXX. The digits represented by ## are the REN without a decimal point (e.g., 03 is a REN of 0.3).
4. If the built-in modem causes harm to the telephone network, the telephone company may discontinue your service temporarily. If possible, they will notify you in advance. But, if advance notice isn't practical, you will be notified as soon as possible. You will be advised of your right to file a complaint with the FCC.
5. Your telephone company may make changes in its facilities, equipment, operations, or procedures that could affect the proper operation of your equipment. If they do, you will be given advance notice so as to give you an opportunity to maintain uninterrupted service.
6. If you experience trouble with this built-in modem, contact your IBM Authorized Seller, or the IBM Corporation, 500 Columbus Avenue, Thornwood, NY 10594, 1-800-772-2227, for repair/warranty information. The telephone company may ask you to disconnect this equipment from

the network until the problem has been corrected, or until you are sure the equipment is not malfunctioning.

7. No customer repairs are possible to the modem. If you experience trouble with this equipment, contact your Authorized Seller or the IBM Corporation for information.
8. The modem may not be used on coin service provided by the telephone company. Connection to party lines is subject to state tariffs. Contact your state public utility commission or corporation commission for information.
9. When ordering network interface (NI) service from the Local Exchange Carrier, specify service arrangement USOC RJ11C.
10. A plug and jack used to connect this equipment to the premises wiring and telephone network must comply with the applicable FCC Part 68 rules and requirements adopted by the ACTA. A compliant telephone cord and modular plug is provided with this product. It is designed to be connected to a compatible modular jack that is also compliant. See installation instructions for details.
11. If your home has specially wired alarm equipment connected to the telephone line, ensure the installation of this Data/Fax Modem does not disable your alarm equipment. If you have questions about what will disable alarm equipment, consult your telephone company or a qualified installer.
12. The software contained in this Data/Fax Modem to allow user access to the network must be upgraded to recognize newly established network area codes and exchange codes as they are placed into service.

Industry Canada requirements

Notice

This equipment meets the applicable Industry Canada Terminal Equipment Technical Specifications. This is confirmed by the registration number. The abbreviation, IC, before the registration number signifies that registration was performed based on a Declaration of Conformity indicating that Industry Canada technical specifications were met. It does not imply that Industry Canada approved the equipment.

Before installing this equipment, users should ensure that it is permissible to be connected to the facilities of the local telecommunications company. The equipment must also be installed using an acceptable method of communication. In some cases, the company's inside wiring associated with a single line individual service may be extended by means of a certified connector assembly (telephone extension cord). The customer should be aware that compliance with the above conditions may not prevent degradation of service in some situations.

Repairs to certified equipment should be made by an authorized Canadian maintenance facility designated by the supplier. Any repairs or alterations made by the user to this equipment, or equipment malfunctions, may give the telecommunications company cause to request the user to disconnect the equipment.

Users should ensure for their own protection that the electrical ground connections of the power utility, telephone lines and internal metallic water pipe system, if present, are connected together. This precaution may be particularly important in rural areas.

Caution

Users should not attempt to make such connections themselves, but should contact the appropriate electric inspection authority, or electrician, as appropriate.

The Ringer Equivalence Number (REN) for this terminal equipment is 0.0. The REN assigned to each terminal equipment provides an indication of the maximum number of terminals allowed to be connected to a telephone interface. The termination on an interface may consist of any combination of devices subject only to the requirement that the sum of the Ringer Equivalence Numbers of all the devices does not exceed five.

Avis

Le présent matériel est conforme aux spécifications techniques d'Industrie Canada applicables au matériel terminal. Cette conformité est confirmée par le numéro d'enregistrement. Le sigle IC, placé devant le numéro d'enregistrement, signifie que l'enregistrement s'est effectué conformément à une déclaration de conformité et indique que les spécifications techniques d'Industrie Canada ont été respectées. Il n'implique pas qu'Industrie Canada a approuvé le matériel.

Avant d'installer ce matériel, l'utilisateur doit s'assurer qu'il est permis de le raccorder aux installations de l'entreprise locale de télécommunication. Le matériel doit également être installé en suivant une méthode acceptée de raccordement. Dans certains cas, les fils intérieurs de l'entreprise utilisés pour un service individuel à ligne unique peuvent être prolongés au moyen d'un dispositif homologué de raccordement (cordon prolongateur téléphonique interne). L'abonné ne doit pas oublier qu'il est possible que la conformité aux conditions énoncées ci-dessus n'empêchent pas la dégradation du service dans certaines situations. Actuellement, les entreprises de télécommunication ne permettent pas que l'on raccorde leur matériel à des jacks d'abonné, sauf dans les cas précis prévus par les tarifs particuliers de ces entreprises.

Les réparations de matériel homologué doivent être effectuées par un centre d'entretien canadien autorisé désigné par le fournisseur. La compagnie de télécommunications peut demander à l'utilisateur de débrancher un appareil à la suite de réparations ou de modifications effectuées par l'utilisateur ou à cause de mauvais fonctionnement.

Pour sa propre protection, l'utilisateur doit s'assurer que tous les fils de mise à la terre de la source d'énergie électrique, des lignes téléphoniques et des canalisations d'eau métalliques, s'il y en a, sont raccordés ensemble. Cette précaution est particulièrement importante dans les régions rurales.

Avertissement

L'utilisateur ne doit pas tenter de faire ces raccordements lui-même; il doit avoir recours à un service d'inspection des installations électriques, ou à un électricien, selon le cas.

L'indice d'équivalence de la sonnerie (IES) du présent matériel est de 0.0. L'IES assigné à chaque dispositif terminal indique le nombre maximal de terminaux qui peuvent être raccordés à une interface téléphonique. La terminaison d'une interface peut consister en une combinaison quelconque de dispositifs, à la seule condition que la somme d'indices d'équivalence de la sonnerie de tous les dispositifs n'excède pas 5.

Trademarks

The following terms are trademarks of the IBM Corporation in the United States or other countries or both:

IBM
IBM (logo)
ThinkPad

Intel is a trademark of Intel Corporation in the United States, other countries, or both.

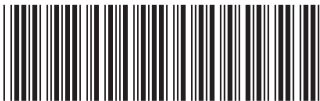
Other company, product, and service names may be trademarks or service marks of others.



Part Number: 92P2247

Printed in USA

(1P) P/N: 92P2247





ThinkPad[®] X40 Series Regulatory Notice

First Edition (August 2004)

The following paragraph does not apply to the United Kingdom or any country where such provisions are inconsistent with local law:

INTERNATIONAL BUSINESS MACHINES CORPORATION PROVIDES THIS PUBLICATION "AS IS" WITHOUT ANY WARRANTY OF ANY KIND, EITHER EXPRESS OR IMPLIED, INCLUDING, BUT NOT LIMITED TO, THE LIMITED WARRANTIES OF MERCHANTABILITY OR FITNESS FOR A PARTICULAR PURPOSE. Some states do not allow disclaimers or express or implied warranties in certain transactions; therefore, this statement may not apply to you.

This publication could include technical inaccuracies or typographical errors. Changes are periodically made to the information herein; these changes will be incorporated in new editions of the publication. IBM may make improvements or changes in the products or the programs described in this publication at any time.

It is possible that this publication may contain reference to, or information about, IBM products (machines and programs), programming, or services that are not announced in your country. Such references or information must not be construed to mean that IBM intends to announce such IBM products, programming, or services in your country.

Requests for technical information about IBM products should be made to your IBM authorized dealer or your IBM marketing representative.

© Copyright International Business Machines Corporation 2004. All rights reserved.

US Government Users Restricted Rights – Use, duplication or disclosure restricted by GSA ADP Schedule Contract with IBM Corp.

Contents

Read first — regulatory information. 1	Telecommunication notices 15
USA — Federal Communications Commission (FCC). 3	Industry Canada requirements 17
Canada — Industry Canada (IC). 11	Trademarks. 19

Read first — regulatory information

Regulatory notice for ThinkPad X40 Series

This notice is a supplementary document of the *ThinkPad® X40 Series Service and Troubleshooting Guide*. Please read this document before you use the ThinkPad X40 Series computer.

The ThinkPad X40 Series computer complies with the radio frequency and safety standards of any country or region in which it has been approved for wireless use. You must install and use your ThinkPad computer in strict accordance with the instructions as described hereafter.

Avis de réglementation pour les ThinkPad X40 Series

Le présent avis est un document qui vient compléter le *Guide de maintenance et d'identification des incidents* ThinkPad X40 Series. Veuillez lire ce document avant d'utiliser l'ordinateur ThinkPad X40 Series.

L'ordinateur ThinkPad X40 Series est conforme aux normes de sécurité et de radiofréquence du pays ou de la région où son utilisation sans fil est agréée. Vous devez installer et utiliser votre ordinateur ThinkPad en respectant scrupuleusement les instructions décrites ci-après.

USA — Federal Communications Commission (FCC)

This device complies with part 15 of the FCC Rules. Operation is subject to the following two conditions:

1. This device may not cause harmful interference, and
2. this device must accept any interference received, including interference that may cause undesired operation.

User installable wireless modules

- Mini-PCI Cards
 - FCC ID: ANO20020201CLK, Model: WM3B2100 (Intel® PRO/Wireless LAN 2100 3B Mini PCI Adapter)
 - FCC ID: ANO20040501CX2, Model: WM3B2200BG MoW (Intel PRO/Wireless 2200BG Mini-PCI Adapter from IBM)
 - FCC ID: ANO20030500CMR, Model: T60H786-U (IBM 11b/g Wireless LAN Mini PCI Adapter)
 - FCC ID: ANO20040600BTL, Model: AR5BMB-44 (IBM 11a/b/g Wireless LAN Mini PCI Adapter II)
- Communication Daughter Card (CDC)
 - FCC ID: ANO20020100MTN, Model: BMDC200 (IBM Integrated *Bluetooth* III with 56K Modem)

For information concerning the wireless cards announced after the publication of this notice, visit the Web site at www.ibm.com/pc/qtechinfo/MIGR-532863.html

Wireless LAN Mini-PCI Cards marketed in the USA and Canada, except model WM3B2100, do not support nor function in the extended channels (12ch, 13ch). If you use the model WM3B2100 with your ThinkPad computer, you must not select the Extended Channel Mode to avoid the unlikely possibility of unauthorized operation when the device is operated in the USA and Canada.

i) FCC ID of wireless modules

There is no FCC ID for Mini-PCI Cards shown on the enclosure of your ThinkPad computer. Instead you will find an indicator pointing to the location of the FCC ID on the bottom side of your ThinkPad computer as shown in the figure i-1). Also the location of the FCC ID's indicator for CDC is shown in the figure i-2). The FCC IDs are affixed on each approved module installed in the Mini-PCI Card slot or the CDC slot.

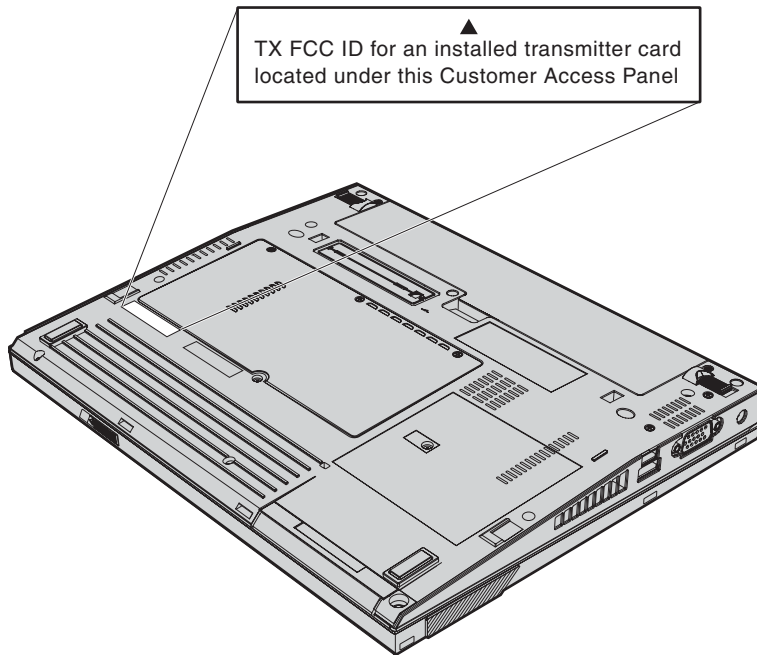
i-1) Mini-PCI Cards:

FCC ID: ANO20020201CLK, Model: WM3B2100

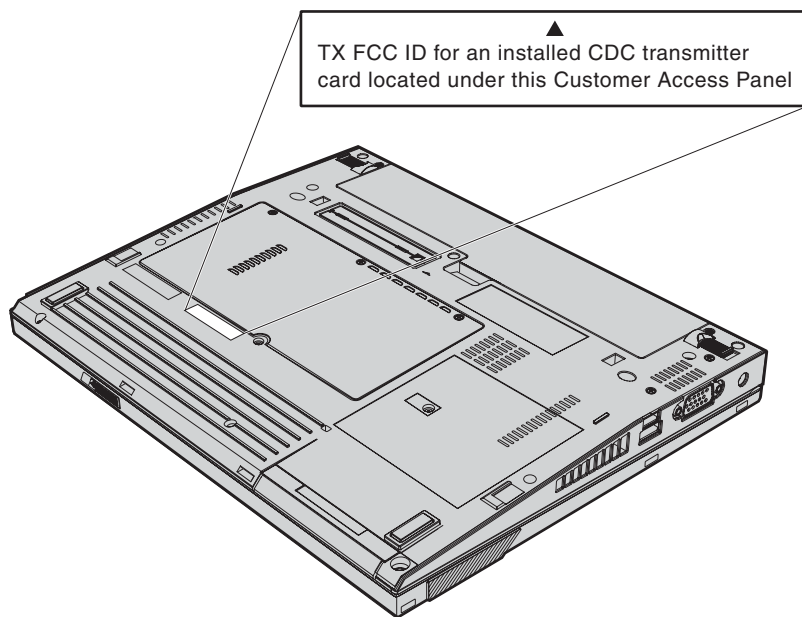
FCC ID: ANO20040501CX2, Model: WM3B2200BG MoW

FCC ID: ANO20030500CMR, Model: T60H786-U

FCC ID: ANO20040600BTL, Model: AR5BMB-44

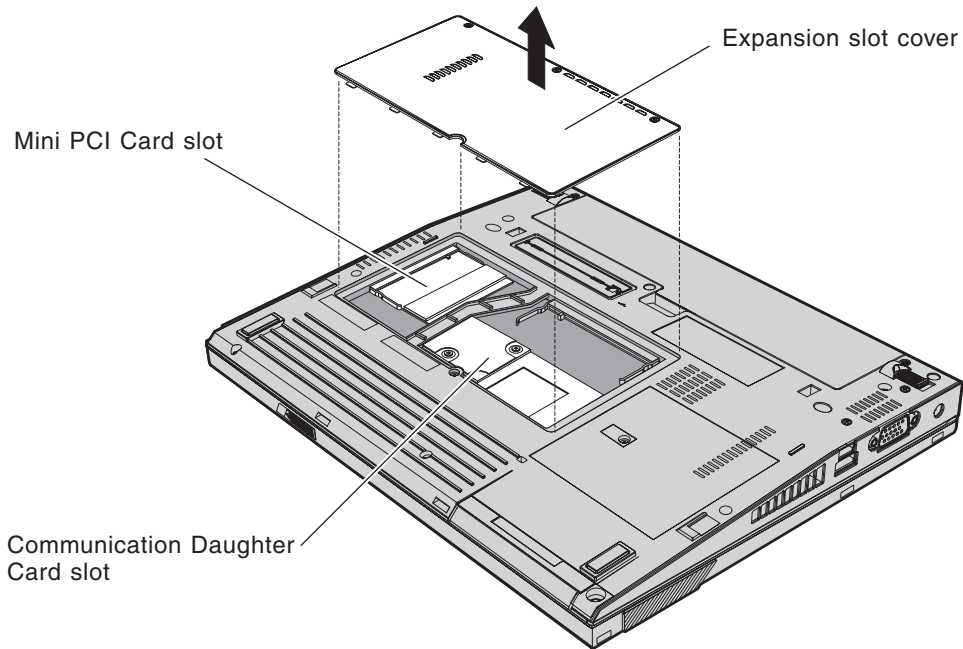


i-2) CDC (FCC ID: ANO20020100MTN, Model: BMDC200)



ii) Installation of approved wireless modules

If no integrated wireless LAN Mini-PCI Card or RF CDC module has been preinstalled in your ThinkPad computer, you can install one, provided by IBM as an option. Plug the wireless card option into the Mini-PCI Card slot or CDC slot located under the expansion slot cover of your ThinkPad computer as shown below.

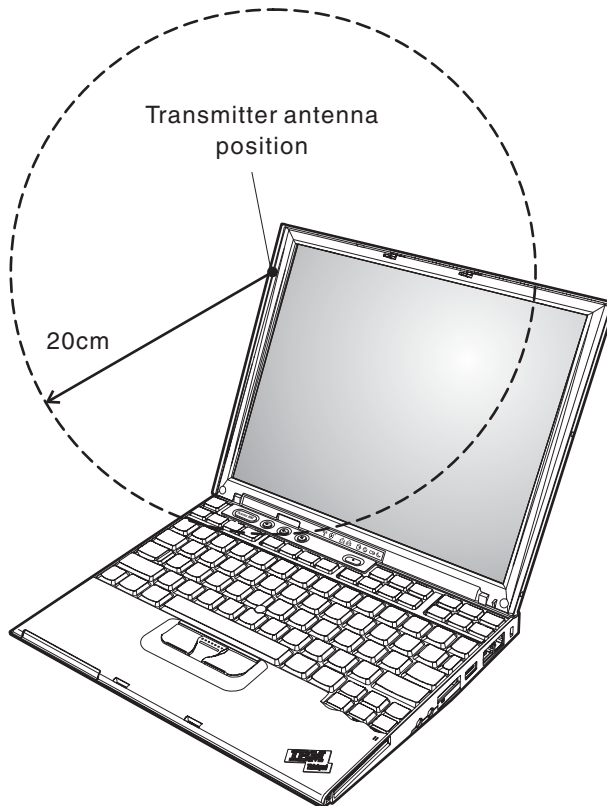


Attention: The ThinkPad X40 Series computer contains an authentication mechanism. If you install an unauthorized wireless LAN Mini-PCI Card or RF CDC module that is not approved for use in the ThinkPad X40 Series computer, the computer will not start, but only displays an error message and emits beeps.

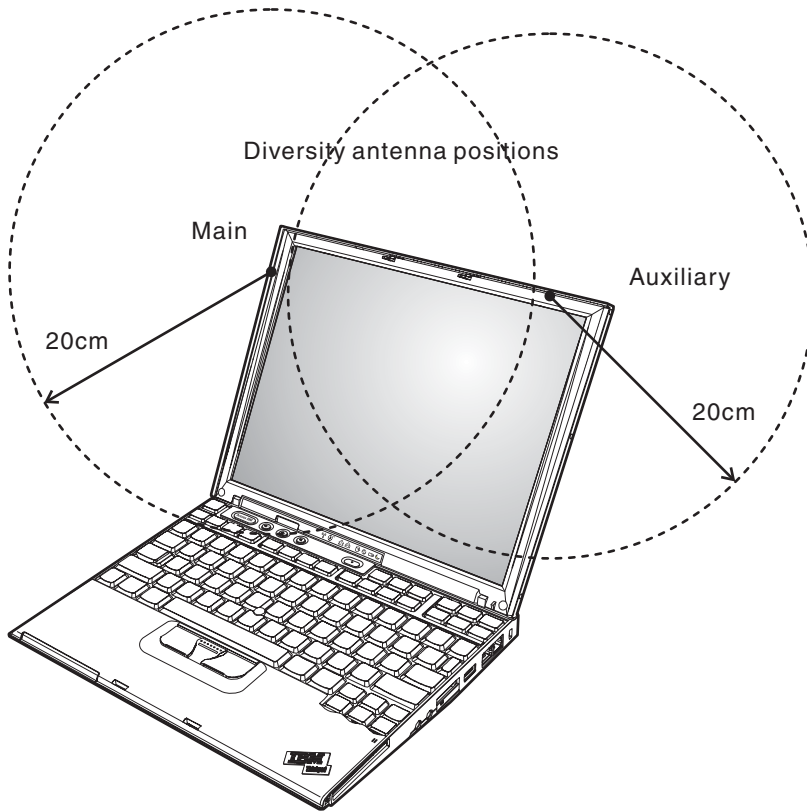
iii) The FCC RF safety requirement

The radiated output power of the Wireless LAN Mini-PCI Cards or RF CDC module authorized to use for the ThinkPad X40 Series computer is far below the FCC radio frequency exposure limits. Nevertheless, the ThinkPad X40 Series computer shall be used in such a manner that the potential for human contact during normal operation is minimized as follows:

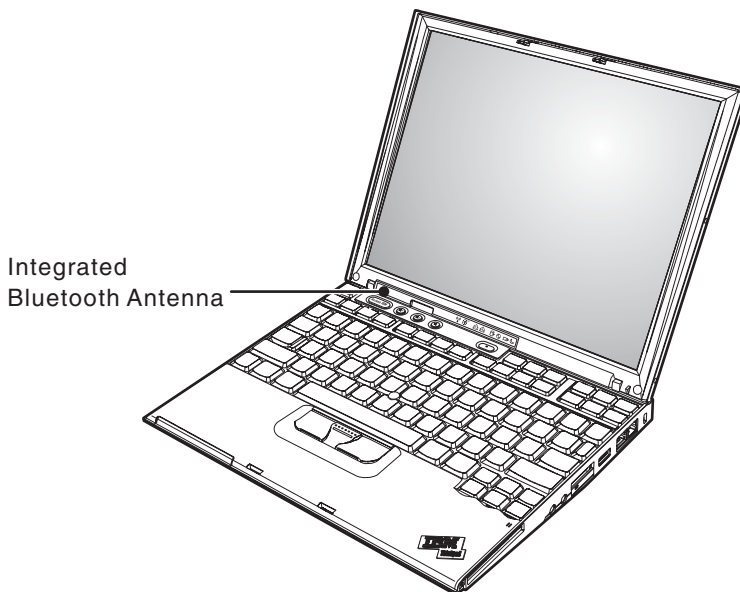
Caution: To comply with FCC RF exposure compliance requirements, a separation distance of at least 20 cm (8 inches) must be maintained between the antenna for the integrated Wireless LAN Mini PCI Card built in to the screen section and all persons. You are not allowed to disable “standby mode” for the power management function, if you cannot maintain the sufficient antenna separation (at least 20 cm) in any case the LCD is left opened or closed.



FCC ID: ANO20040501CX2, Model: WM3B2200BG MoW
FCC ID: ANO20030500CMR, Model: T60H786-U
FCC ID: ANO20040600BTL, Model: AR5BMB-44



Note: The transmission diversity function is implemented for the cards listed above (models WM3B2200BG MoW, T60H786-U, AR5BMB-44). The function does not emit radio frequencies simultaneously from both antennas. One of the antennas is selected automatically or manually (by users) to have good quality of radiocommunication.



Note: The antenna of the model BMDC200 is located on the bottom of the computer lid. Transmitted energy from the *Bluetooth* device is very low compared to other RF devices. Therefore a 20 cm separation from the *Bluetooth* antenna is not required.

Use of wireless options

Your ThinkPad computer is approved for use of one of the granted Wireless LAN Mini-PCI Cards together with the granted *Bluetooth* module in the CDC slot and *Bluetooth* PC Card II option in the PC Card slot simultaneously. Make sure of the following conditions on use of these wireless features.

1. Visit the IBM site at www.ibm.com/pc/qtechinfo/MIGR-53286.html and confirm the updated list of RF option devices that have been approved to cooperate with the integrated wireless feature.
2. When you use any other RF option device that is not listed on the IBM site, all other wireless features including the integrated transmitter in your ThinkPad computer are required to be turned off.
3. Users must follow the RF Safety instructions on wireless option devices that are included in the RF option device's user's manual.

iv) Radio Frequency interference requirements

An improper installation or unauthorized use may cause harmful interference to radio communications. Also, unauthorized changes or modifications could void the user's authority to operate the equipment. Refer to the "Appendix C. Notices, Electronic emission notices" of the *ThinkPad X40 Series Service and Troubleshooting Guide* for more detail.

When you use the model AR5BMB-44 (IBM 11a/b/g Wireless LAN Mini PCI Adapter II):

- This device is restricted to indoor use due to its operation in the 5.15 to 5.25 GHz frequency range. FCC requires this product to be used indoors for the frequency range 5.15 to 5.25 GHz to reduce the potential for harmful interference to co-channel Mobile Satellite systems.
- High power radar are allocated as primary users of the 5.25 to 5.35 GHz and 5.65 to 5.85 GHz bands. These radar stations can cause interference with and/or damage this device.

Canada — Industry Canada (IC)

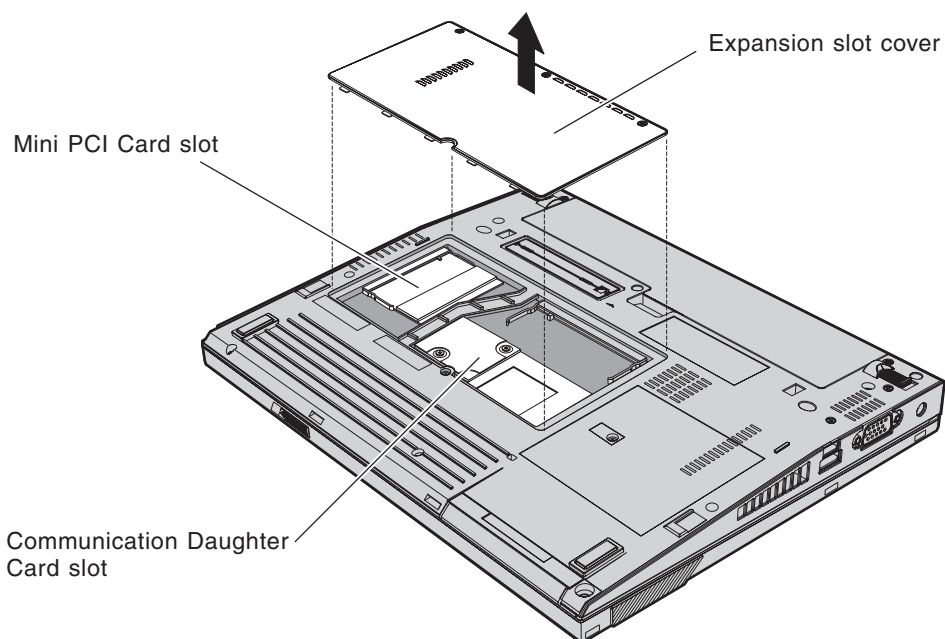
Certification number

The certification number of Industry Canada for each approved Mini-PCI wireless card or RF Communication Daughter Card (CDC) is affixed on each module installed in the Mini-PCI Card slot or the CDC slot as shown below.

The applied wireless cards are:

- IC: 349E-WM3B2100, Model: WM3B2100 (Intel PRO/Wireless LAN 2100 3B Mini PCI Adapter)
- IC: 349E-WM3B22BG, Model: WM3B2200BG MoW (Intel PRO/Wireless 2200BG Mini-PCI Adapter from IBM)
- IC: 349E-T60H786U, Model: T60H786-U (IBM 11b/g Wireless LAN Mini PCI Adapter)
- IC: 349E-AR5BMB44, Model: AR5BMB-44 (IBM 11a/b/g Wireless LAN Mini PCI Adapter II)
- IC: 349E-BMDC200, Model: BMDC200 (IBM Integrated *Bluetooth* III with 56K Modem)

Wireless LAN Mini-PCI Cards marketed in the USA and Canada, except model WM3B2100, do not support nor function in the extended channels (12ch, 13ch). If you use the model WM3B2100 with your ThinkPad computer, you must not select the Extended Channel Mode to avoid the unlikely possibility of unauthorized operation when the device is operated in the USA and Canada.



Attention: The ThinkPad X40 Series computer contains an authentication mechanism. You can install or remove each wireless feature by yourself. If you install an unauthorized wireless adapter that is not approved for use in the ThinkPad X40 Series computer, the computer will not start, but only displays an error message and emits beeps.

Low power license-exempt radiocommunication devices (RSS-210)

Operation is subject to the following two conditions:

1. This device may not cause interference, and
2. this device must accept any interference, including interference that may cause undesired operation of the device.

When you use the model AR5BMB-44 (IBM 11a/b/g Wireless LAN Mini PCI Adapter II):

- The device for the band 5150–5250 MHz is only for indoor usage to reduce potential for harmful interference to co-channel Mobile Satellite systems.
- High power radars are allocated as primary users (meaning they have priority) of 5250–5350 MHz and 5650–5850 MHz and these radars could cause interference and/or damage to LELAN (Licence-Exempt Local Area Network) devices.

Exposure of humans to RF fields (RSS-102)

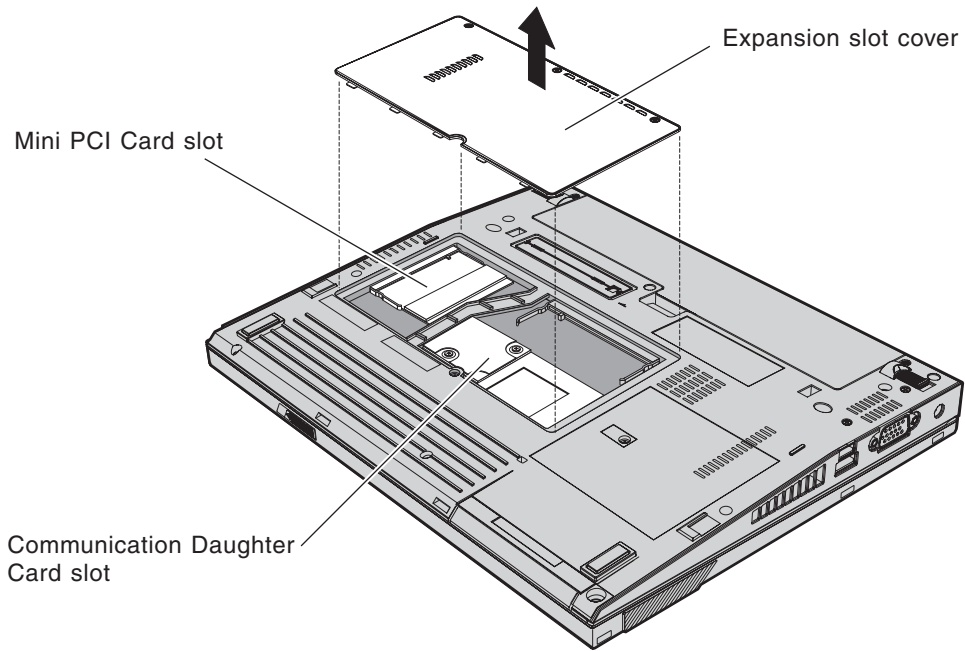
ThinkPad X40 Series computers employ low gain integral antennas that do not emit RF field in excess of Health Canada limits for the general population; consult Safety Code 6, obtainable from Health Canada's Web site at www.hc-sc.gc.ca/rpb

Numéro d'homologation

Le numéro d'homologation d'Industrie Canada pour chaque carte Mini-PCI sans fil homologuée ou carte RF CDC (Communication Daughter Card) est indiqué sur chaque module installé dans l'emplacement Mini-PCI Card ou CDC comme illustré ci-dessous.

Les cartes sans fil applicables sont les suivantes:

- IC: 349E-WM3B2100, Model: WM3B2100 (Intel PRO/Wireless LAN 2100 3B Mini PCI Adapter)
- IC: 349E-WM3B22BG, Model: WM3B2200BG MoW (Intel PRO/Wireless 2200BG Mini-PCI Adapter from IBM)
- IC: 349E-T60H786U, Model: T60H786-U (IBM 11b/g Wireless LAN Mini PCI Adapter)
- IC: 349E-AR5BMB44, Model: AR5BMB-44 (IBM 11a/b/g Wireless LAN Mini PCI Adapter II)
- IC: 349E-BMDC200, Model: BMDC200 (IBM Integrated *Bluetooth* III with 56K Modem)



Attention: L'ordinateur ThinkPad X40 Series contient un mécanisme d'authentification. Vous pouvez installer ou désinstaller tout dispositif sans fil. Si vous installez une carte sans fil qui n'est pas homologuée pour l'ordinateur ThinkPad X40 Series, l'ordinateur ne démarrera pas; un message d'erreur sera affiché et des bips sonores seront émis.

Remarque relative aux appareils de communication radio de faible puissance sans licence (CNR-210)

Le fonctionnement de ce type d'appareil est soumis aux deux conditions suivantes:

1. Cet appareil ne doit pas perturber les communications radio, et
2. cet appareil doit supporter toute perturbation, y compris les perturbations qui pourraient provoquer son dysfonctionnement.

Lorsque vous utilisez le modèle AR5BMB-44 (IBM 11a/b/g Wireless LAN Mini PCI Adapter II):

- Tout appareil destiné à la bande 5150-5250 MHz devra être exclusivement utilisé en intérieur afin de réduire les risques de perturbations électromagnétiques gênantes sur les systèmes de satellite mobile dans un même canal.
- Les radars à forte puissance sont désignés comme les utilisateurs principaux (c'est-à-dire qu'ils sont prioritaires) des bandes 5250-5350 MHz et 5650-5850 MHz. Ils peuvent provoquer des perturbations électromagnétiques sur les appareils de type LELAN (réseau de communication local sans licence) ou les endommager.

Exposition des êtres humains aux champs radioélectriques (RF) (CNR-102)

Le ThinkPad X40 Series utilise des antennes intégrales à faible gain qui n'émettent pas un champ électromagnétique supérieur aux normes imposées par le Ministère de la santé canadien pour la population. Consultez le Safety Code 6 sur le site Web du Ministère de la santé canadien à l'adresse "www.hc-sc.gc.ca/rpb".

Telecommunication notices

Federal Communications Commission (FCC) and Telephone Company Requirements (Part 68 of the FCC Rules)

1. The Telephone Consumer Protection Act of 1991 makes it unlawful for any person to use a computer or other electronic device to send any message via a telephone fax machine unless such message clearly contains in a margin at the top or bottom of each transmitted page or on the first page of the transmission, the date and time it is sent, and an identification of the business or other entity, or other individual sending the message and the telephone number of the sending machine or such business, other entity, or individual.

In order to program this information into your computer, you should be sure to follow the installation instructions for your fax software package.

2. This equipment complies with Part 68 of the FCC rules and the requirements adopted by the ACTA. On this equipment is a label that contains, among other information, a product identifier in the format US:AAAEQ##TXXXX. If requested, this number must be provided to the telephone company.
3. The REN is used to determine the number of devices that may be connected to a telephone line. Excessive RENs on a telephone line may result in the devices not ringing in response to an incoming call. In most but not all areas, the sum of RENs should not exceed five (5.0). To be certain of the number of devices that may be connected to a line, as determined by the total RENs, contact the local telephone company. The REN for this product is part of the product identifier that has the format US:AAAEQ##TXXXX. The digits represented by ## are the REN without a decimal point (e.g., 03 is a REN of 0.3).
4. If the built-in modem causes harm to the telephone network, the telephone company may discontinue your service temporarily. If possible, they will notify you in advance. But, if advance notice isn't practical, you will be notified as soon as possible. You will be advised of your right to file a complaint with the FCC.
5. Your telephone company may make changes in its facilities, equipment, operations, or procedures that could affect the proper operation of your equipment. If they do, you will be given advance notice so as to give you an opportunity to maintain uninterrupted service.
6. If you experience trouble with this built-in modem, contact your IBM Authorized Seller, or the IBM Corporation, 500 Columbus Avenue, Thornwood, NY 10594, 1-800-772-2227, for repair/warranty information. The telephone company may ask you to disconnect this equipment from

the network until the problem has been corrected, or until you are sure the equipment is not malfunctioning.

7. No customer repairs are possible to the modem. If you experience trouble with this equipment, contact your Authorized Seller or the IBM Corporation for information.
8. The modem may not be used on coin service provided by the telephone company. Connection to party lines is subject to state tariffs. Contact your state public utility commission or corporation commission for information.
9. When ordering network interface (NI) service from the Local Exchange Carrier, specify service arrangement USOC RJ11C.
10. A plug and jack used to connect this equipment to the premises wiring and telephone network must comply with the applicable FCC Part 68 rules and requirements adopted by the ACTA. A compliant telephone cord and modular plug is provided with this product. It is designed to be connected to a compatible modular jack that is also compliant. See installation instructions for details.
11. If your home has specially wired alarm equipment connected to the telephone line, ensure the installation of this Data/Fax Modem does not disable your alarm equipment. If you have questions about what will disable alarm equipment, consult your telephone company or a qualified installer.
12. The software contained in this Data/Fax Modem to allow user access to the network must be upgraded to recognize newly established network area codes and exchange codes as they are placed into service.

Industry Canada requirements

Notice

This equipment meets the applicable Industry Canada Terminal Equipment Technical Specifications. This is confirmed by the registration number. The abbreviation, IC, before the registration number signifies that registration was performed based on a Declaration of Conformity indicating that Industry Canada technical specifications were met. It does not imply that Industry Canada approved the equipment.

Before installing this equipment, users should ensure that it is permissible to be connected to the facilities of the local telecommunications company. The equipment must also be installed using an acceptable method of communication. In some cases, the company's inside wiring associated with a single line individual service may be extended by means of a certified connector assembly (telephone extension cord). The customer should be aware that compliance with the above conditions may not prevent degradation of service in some situations.

Repairs to certified equipment should be made by an authorized Canadian maintenance facility designated by the supplier. Any repairs or alterations made by the user to this equipment, or equipment malfunctions, may give the telecommunications company cause to request the user to disconnect the equipment.

Users should ensure for their own protection that the electrical ground connections of the power utility, telephone lines and internal metallic water pipe system, if present, are connected together. This precaution may be particularly important in rural areas.

Caution

Users should not attempt to make such connections themselves, but should contact the appropriate electric inspection authority, or electrician, as appropriate.

The Ringer Equivalence Number (REN) for this terminal equipment is 0.0. The REN assigned to each terminal equipment provides an indication of the maximum number of terminals allowed to be connected to a telephone interface. The termination on an interface may consist of any combination of devices subject only to the requirement that the sum of the Ringer Equivalence Numbers of all the devices does not exceed five.

Avis

Le présent matériel est conforme aux spécifications techniques d'Industrie Canada applicables au matériel terminal. Cette conformité est confirmée par le numéro d'enregistrement. Le sigle IC, placé devant le numéro d'enregistrement, signifie que l'enregistrement s'est effectué conformément à une déclaration de conformité et indique que les spécifications techniques d'Industrie Canada ont été respectées. Il n'implique pas qu'Industrie Canada a approuvé le matériel.

Avant d'installer ce matériel, l'utilisateur doit s'assurer qu'il est permis de le raccorder aux installations de l'entreprise locale de télécommunication. Le matériel doit également être installé en suivant une méthode acceptée de raccordement. Dans certains cas, les fils intérieurs de l'entreprise utilisés pour un service individuel à ligne unique peuvent être prolongés au moyen d'un dispositif homologué de raccordement (cordon prolongateur téléphonique interne). L'abonné ne doit pas oublier qu'il est possible que la conformité aux conditions énoncées ci-dessus n'empêchent pas la dégradation du service dans certaines situations. Actuellement, les entreprises de télécommunication ne permettent pas que l'on raccorde leur matériel à des jacks d'abonné, sauf dans les cas précis prévus par les tarifs particuliers de ces entreprises.

Les réparations de matériel homologué doivent être effectuées par un centre d'entretien canadien autorisé désigné par le fournisseur. La compagnie de télécommunications peut demander à l'utilisateur de débrancher un appareil à la suite de réparations ou de modifications effectuées par l'utilisateur ou à cause de mauvais fonctionnement.

Pour sa propre protection, l'utilisateur doit s'assurer que tous les fils de mise à la terre de la source d'énergie électrique, des lignes téléphoniques et des canalisations d'eau métalliques, s'il y en a, sont raccordés ensemble. Cette précaution est particulièrement importante dans les régions rurales.

Avertissement

L'utilisateur ne doit pas tenter de faire ces raccordements lui-même; il doit avoir recours à un service d'inspection des installations électriques, ou à un électricien, selon le cas.

L'indice d'équivalence de la sonnerie (IES) du présent matériel est de 0.0. L'IES assigné à chaque dispositif terminal indique le nombre maximal de terminaux qui peuvent être raccordés à une interface téléphonique. La terminaison d'une interface peut consister en une combinaison quelconque de dispositifs, à la seule condition que la somme d'indices d'équivalence de la sonnerie de tous les dispositifs n'excède pas 5.

Trademarks

The following terms are trademarks of the IBM Corporation in the United States or other countries or both:

IBM
IBM (logo)
ThinkPad

Intel is a trademark of Intel Corporation in the United States, other countries, or both.

Other company, product, and service names may be trademarks or service marks of others.



Part Number: 92P2250

Printed in USA

(1P) P/N: 92P2250

