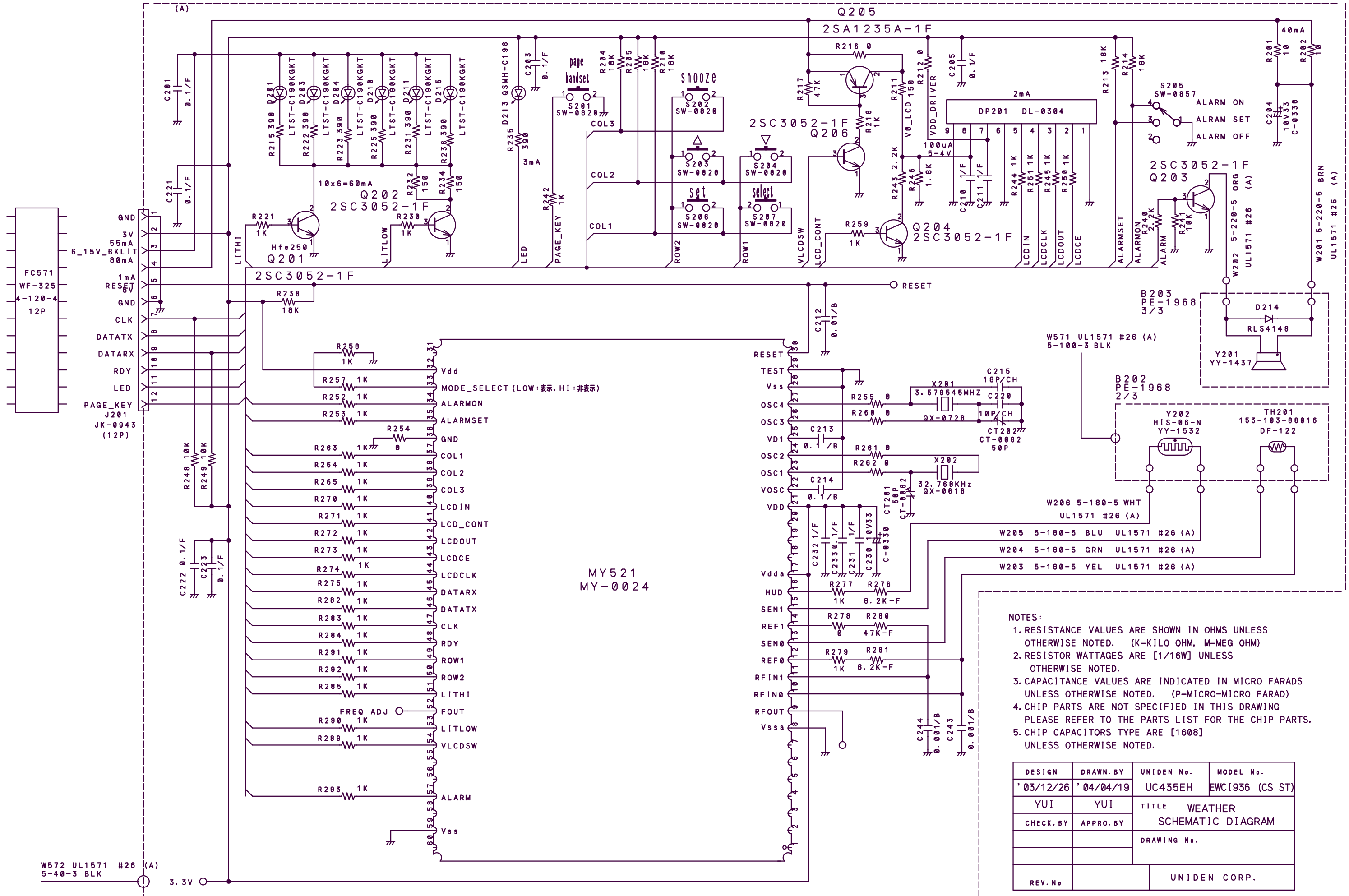


- NOTES:
1. RESISTANCE VALUES ARE SHOWN IN OHMS UNLESS OTHERWISE NOTED. (K=KILO OHM, M=MEG OHM)
  2. RESISTOR WATTAGES ARE [1/16W] UNLESS OTHERWISE NOTED.
  3. CAPACITANCE VALUES ARE INDICATED IN MICRO FARADS UNLESS OTHERWISE NOTED. (P=MICRO-MICRO FARAD)
  4. CHIP PARTS ARE NOT SPECIFIED IN THIS DRAWING PLEASE REFER TO THE PARTS LIST FOR THE CHIP PARTS.
  5. CHIP CAPACITORS TYPE ARE [1008] UNLESS OTHERWISE NOTED.

DESIGN	03/12/27	UNIDEN No.	UC435EH	MODEL No.	EWCI936 (CS ST)
DRAWN BY	YUI	TITLE	BASE MAIN SCHEMATIC DIAGRAM		
CHECK BY	J. KATO	APPRO. BY	DRAWING No.		
REV. No.	04	UNIDEN CORP.			



- NOTES:
1. RESISTANCE VALUES ARE SHOWN IN OHMS UNLESS OTHERWISE NOTED. (K=KILO OHM, M=MEG OHM)
  2. RESISTOR WATTAGES ARE [1/16W] UNLESS OTHERWISE NOTED.
  3. CAPACITANCE VALUES ARE INDICATED IN MICRO FARADS UNLESS OTHERWISE NOTED. (P=MICRO-MICRO FARAD)
  4. CHIP PARTS ARE NOT SPECIFIED IN THIS DRAWING PLEASE REFER TO THE PARTS LIST FOR THE CHIP PARTS.
  5. CHIP CAPACITORS TYPE ARE [1608] UNLESS OTHERWISE NOTED.

DESIGN	DRAWN BY	UNIDEN No.	MODEL No.
'03/12/26	'04/04/19	UC435EH	EWIC936 (CS ST)
YUI	YUI	TITLE WEATHER SCHEMATIC DIAGRAM	
CHECK BY	APPRO BY	DRAWING No.	
REV. No		UNIDEN CORP.	

