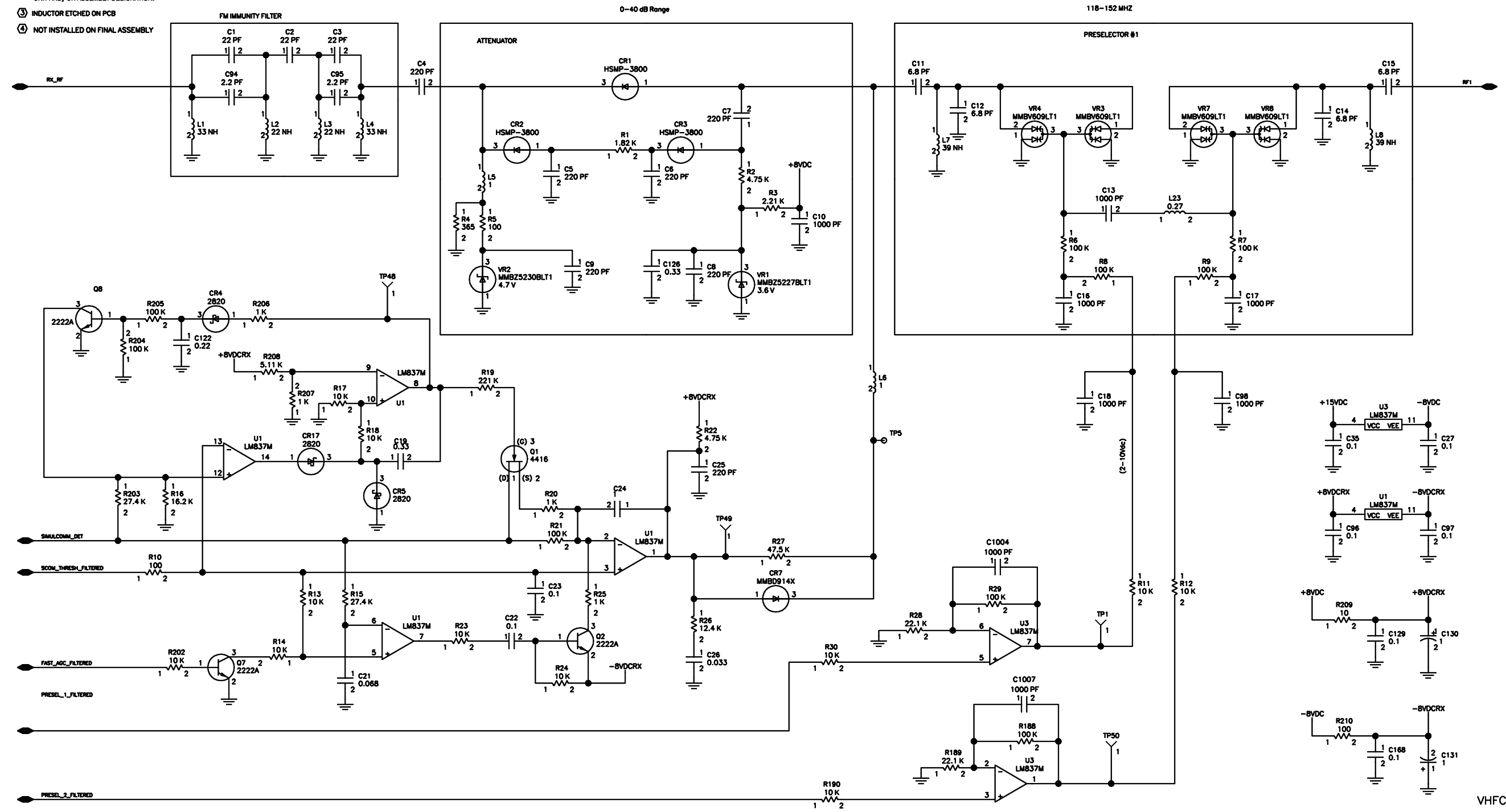


REVISIONS			
LTR	DESCRIPTION	DATE	APVD
A	RL0484	10/17/00	CDP
B	RL4407	01/29/01	KH

- NOTE:
- UNLESS OTHERWISE SPECIFIED, RESISTANCE VALUES ARE IN OHMS, CAPACITANCE VALUES ARE IN MICROFARADS, AND INDUCTANCE VALUES ARE IN MICROHENRYS.
 - PARTIAL REFERENCE DESIGNATIONS ARE SHOWN; FOR COMPLETE DESIGNATION, PREFIX WITH UNIT AND/OR ASSEMBLY DESIGNATION.
 - INDUCTOR ETCHED ON PCB
 - NOT INSTALLED ON FINAL ASSEMBLY



THIS DRAWING IS CREATED FROM DIGITAL DATA

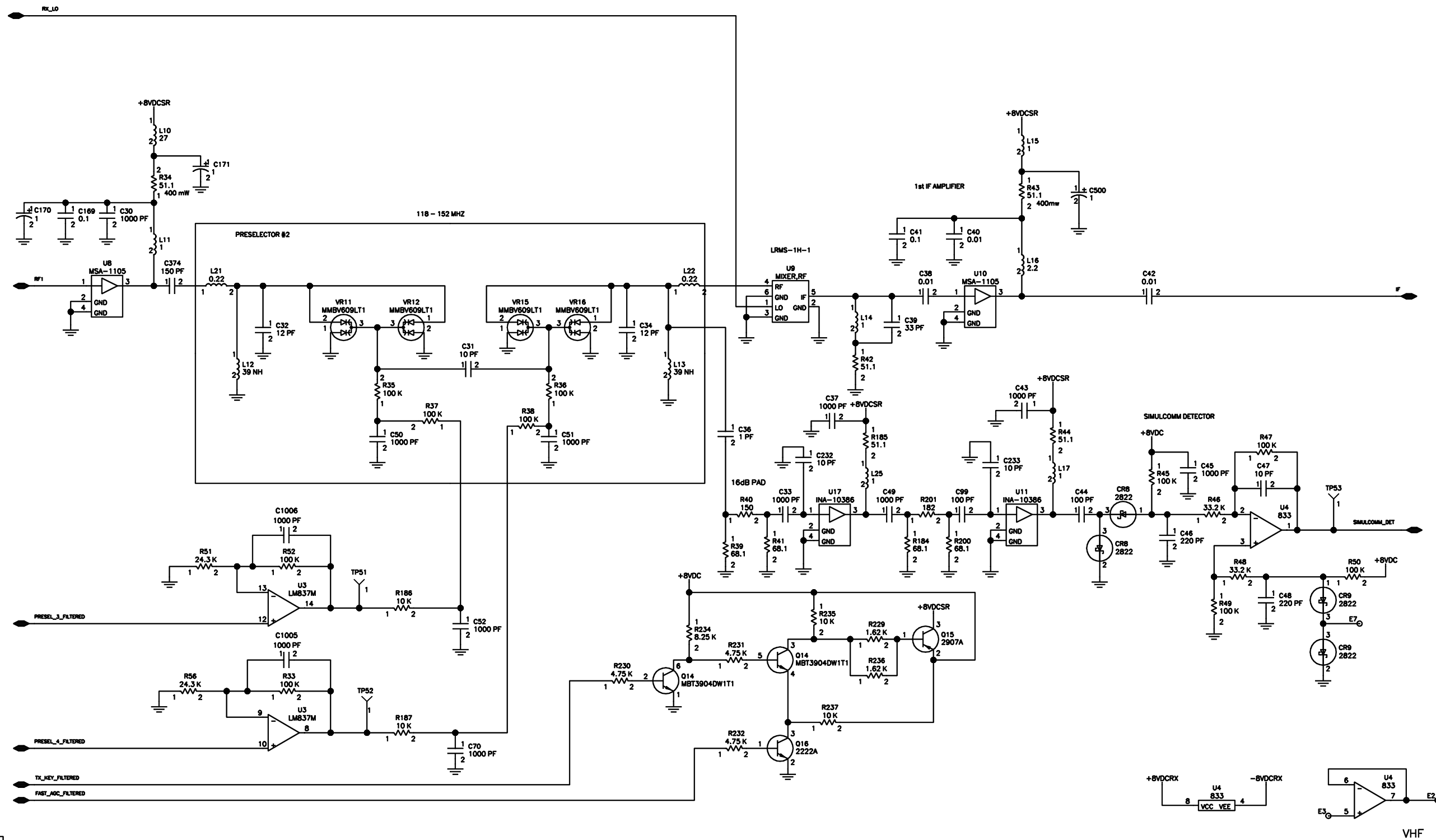
ROCKWELL COLLINS
PROPRIETARY INFORMATION.

PREP Robert A. Rogers	ROCKWELL COLLINS, INC 400 COLLINS RD. NE CEDAR RAPIDS, IA 52498		
CHK Karen G. Barker	SCHEMATIC DIAGRAM, VHF RF		
ENG APVD K. HAMBY	SIZE D	CAGE CODE 4V792	DWG NO. 828-8586-002
NEXT ASSY PART NO. 828-3186-002	SCALE NONE	REV LTR B	SHEET 1 OF 11
EQUIPMENT TYPE NO. VHF-4000	PLotted 04/02/01 07:56		DIGITAL DATA ONLY NO MASTER TRACKING

THIS DRAWING IS CREATED FROM DIGITAL DATA

VHF COM

THIS DRAWING IS CREATED FROM DIGITAL DATA



THIS DRAWING IS CREATED FROM DIGITAL DATA

SIZE	D	CAGE CODE	4V792	DWG NO.	828-8586-002	REV LTR	B
SCALE	NONE			SHEET	2		

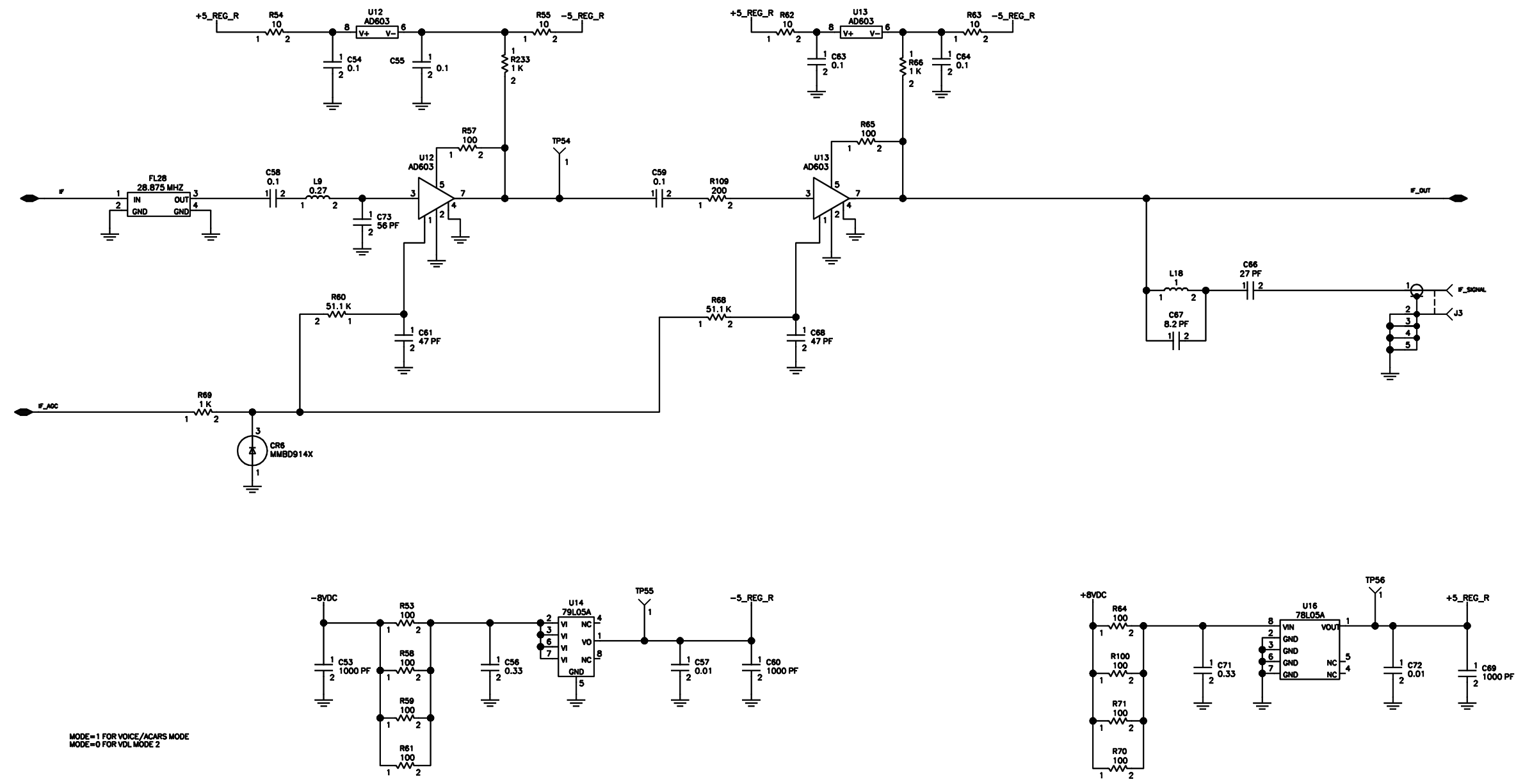
ROCKWELL COLLINS
PROPRIETARY INFORMATION.

Plotted 04/02/01 07:56

DIGITAL DATA ONLY NO MASTER TRACING

PRELIMINARY

design.2



MODE=1 FOR VOICE/ACARS MODE
MODE=0 FOR VDL MODE 2

VHF IF AMPLIFIER

THIS DRAWING IS CREATED FROM DIGITAL DATA

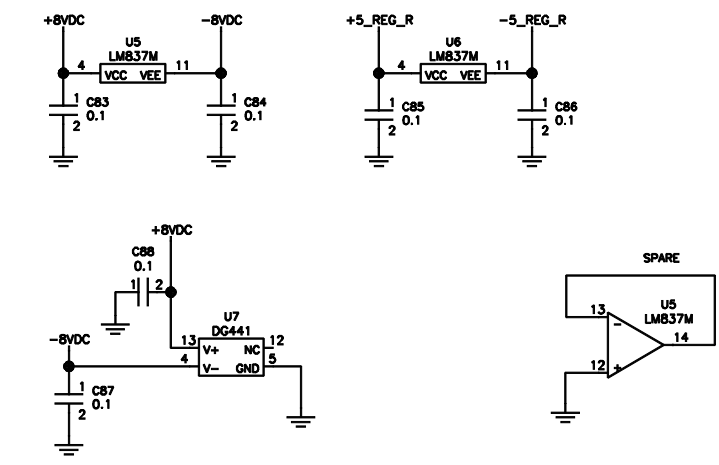
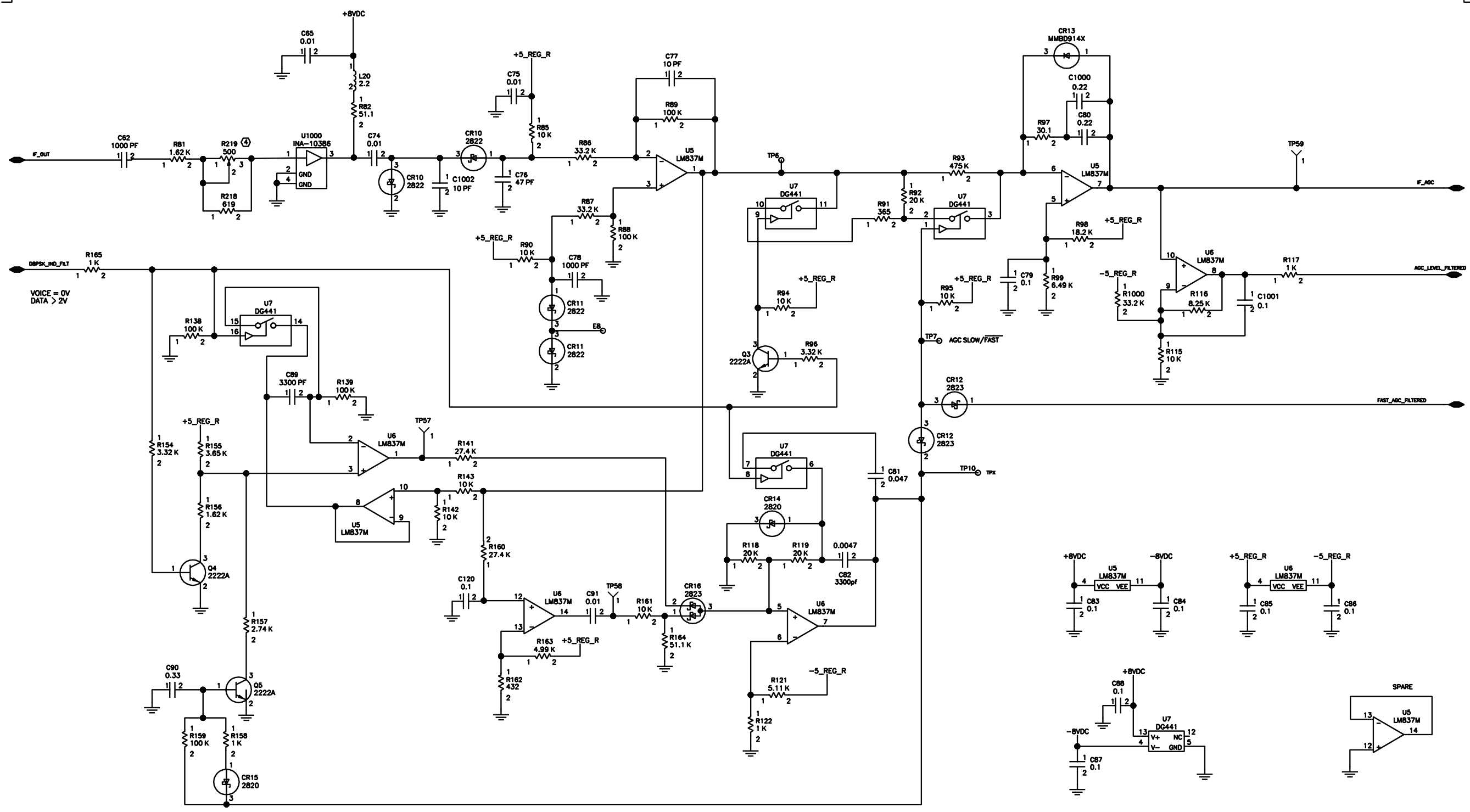
SIZE	CAGE CODE	DWG NO.	REV LTR
D	4V792	828-8586-002	B
SCALE	NONE	SHEET	3

Plotted 04/02/01 07:56

DIGITAL DATA ONLY NO MASTER TRACING

THIS DRAWING CREATED FROM DIGITAL DATA

PRELIMINARY

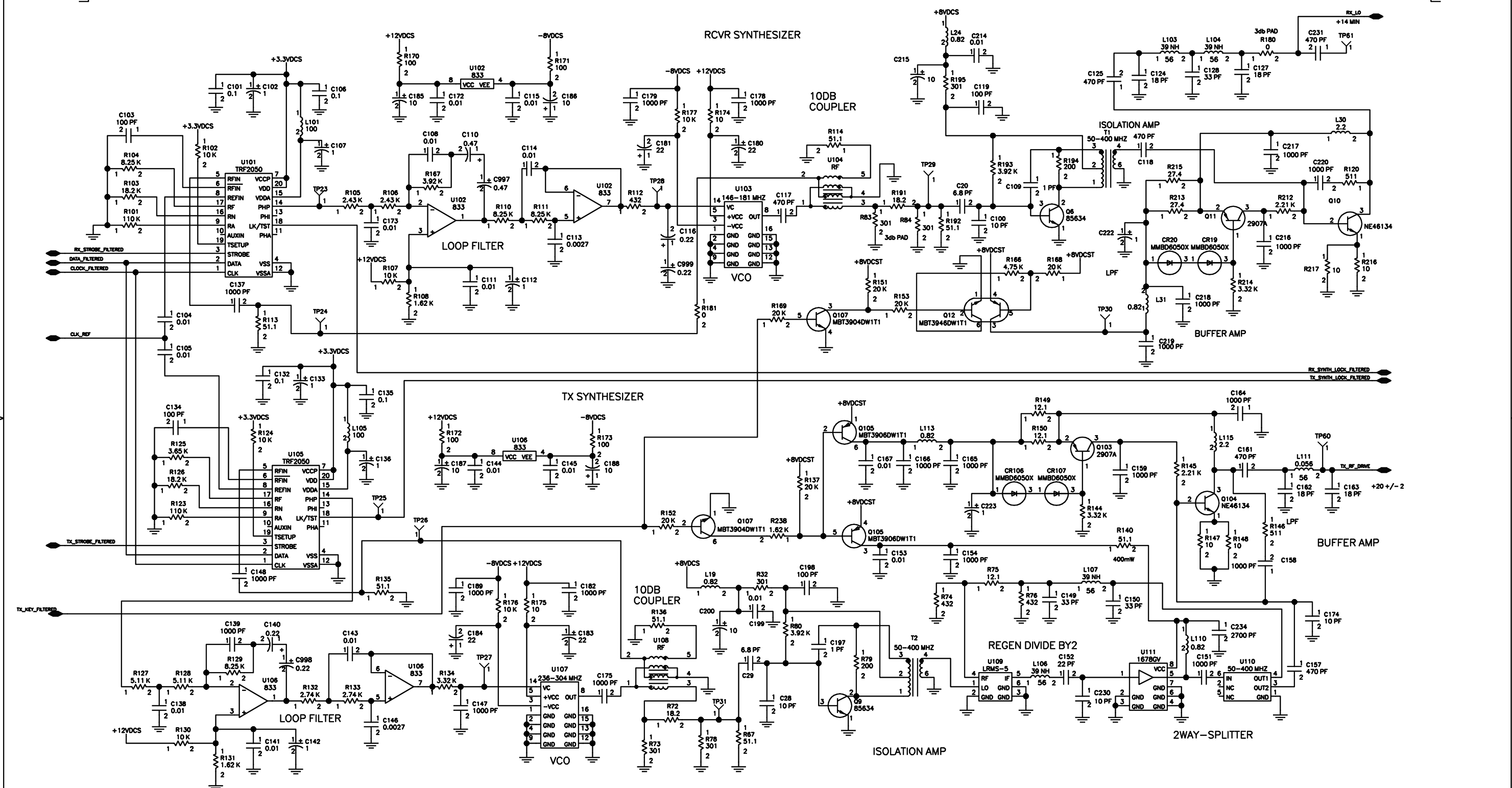


THIS DRAWING IS CREATED FROM DIGITAL DATA

SIZE	CAGE CODE	DWG NO.	REV LTR
D	4V792	828-8586-002	B
SCALE	NONE		SHEET 4

PRELIMINARY

THIS DRAWING CREATED FROM DIGITAL DATA



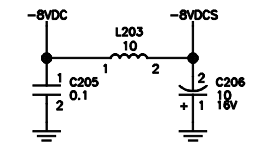
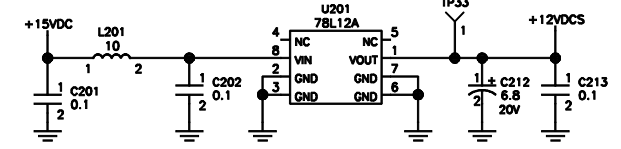
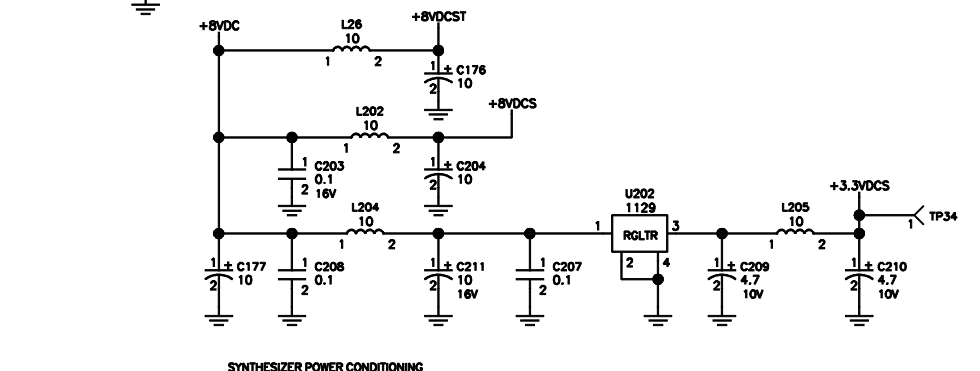
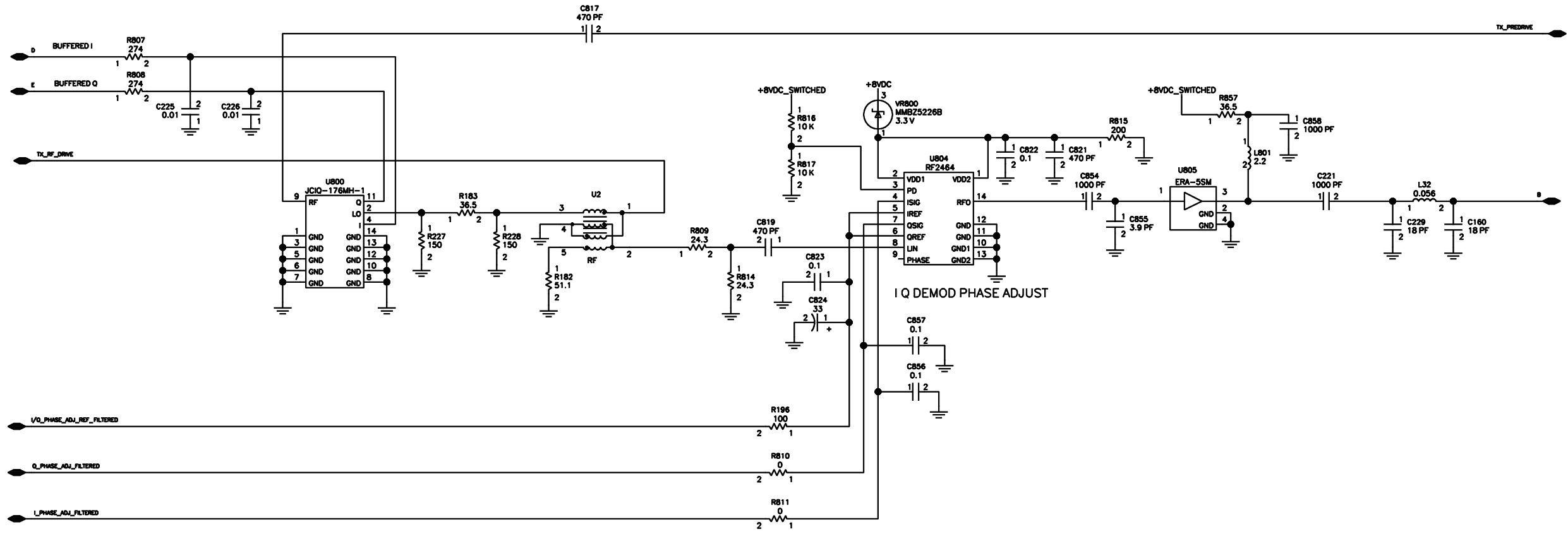
THIS DRAWING IS CREATED FROM DIGITAL DATA

SIZE	CAGE CODE	DWG NO.	REV LTR
D	4V792	828-8586-002	B
SCALE	NONE	SHEET	5

ROCKWELL COLLINS
PROPRIETARY INFORMATION.

THIS DRAWING CREATED FROM DIGITAL DATA

PRELIMINARY

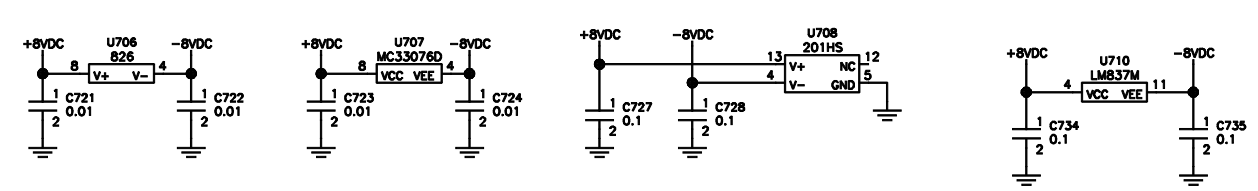
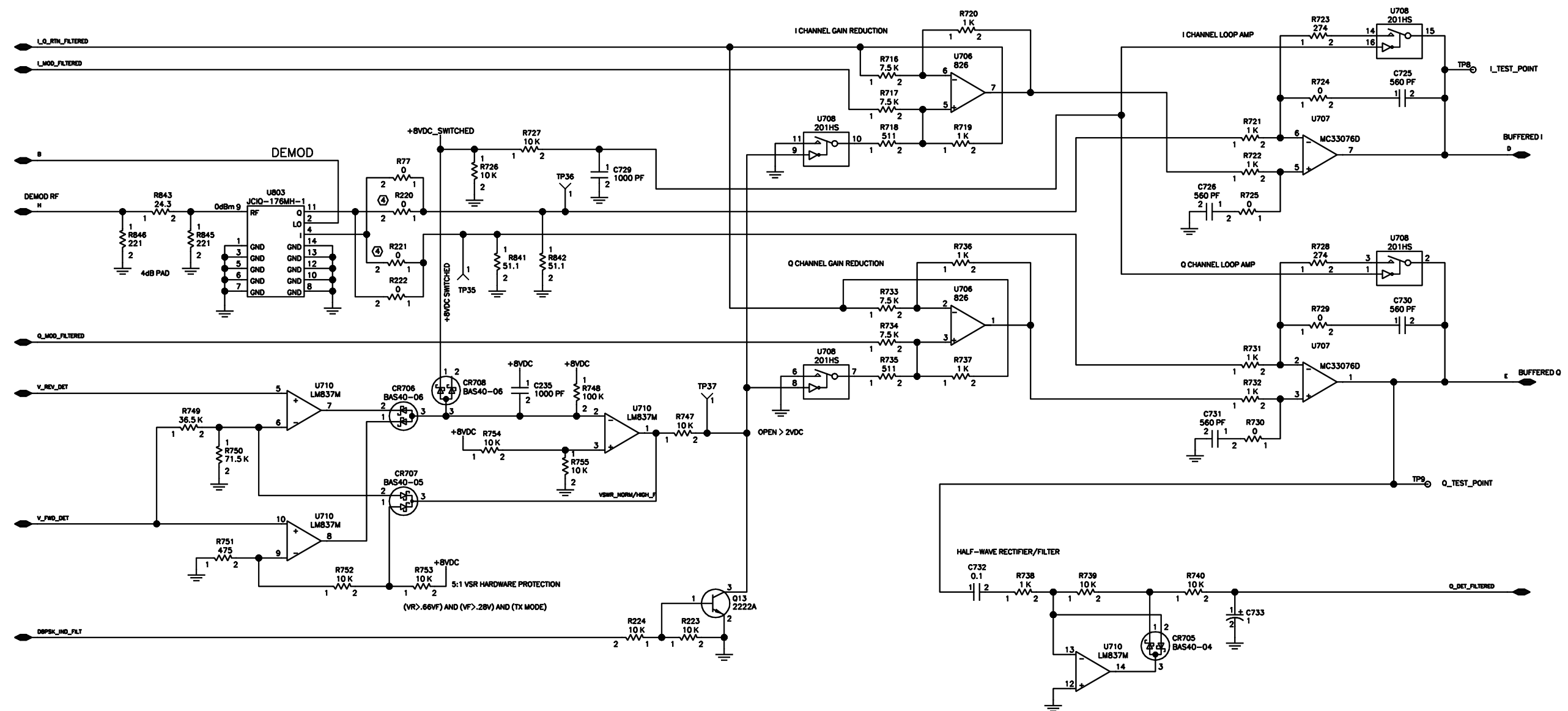


TRANSMITTER

THIS DRAWING IS CREATED FROM DIGITAL DATA

ROCKWELL COLLINS
PROPRIETARY INFORMATION.

SIZE	CAGE CODE	DWG NO.	REV LTR
D	4V792	828-8586-002	B
SCALE	NONE	SHEET	6



THIS DRAWING IS CREATED FROM DIGITAL DATA

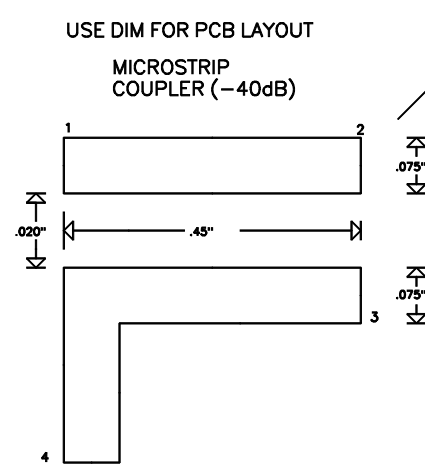
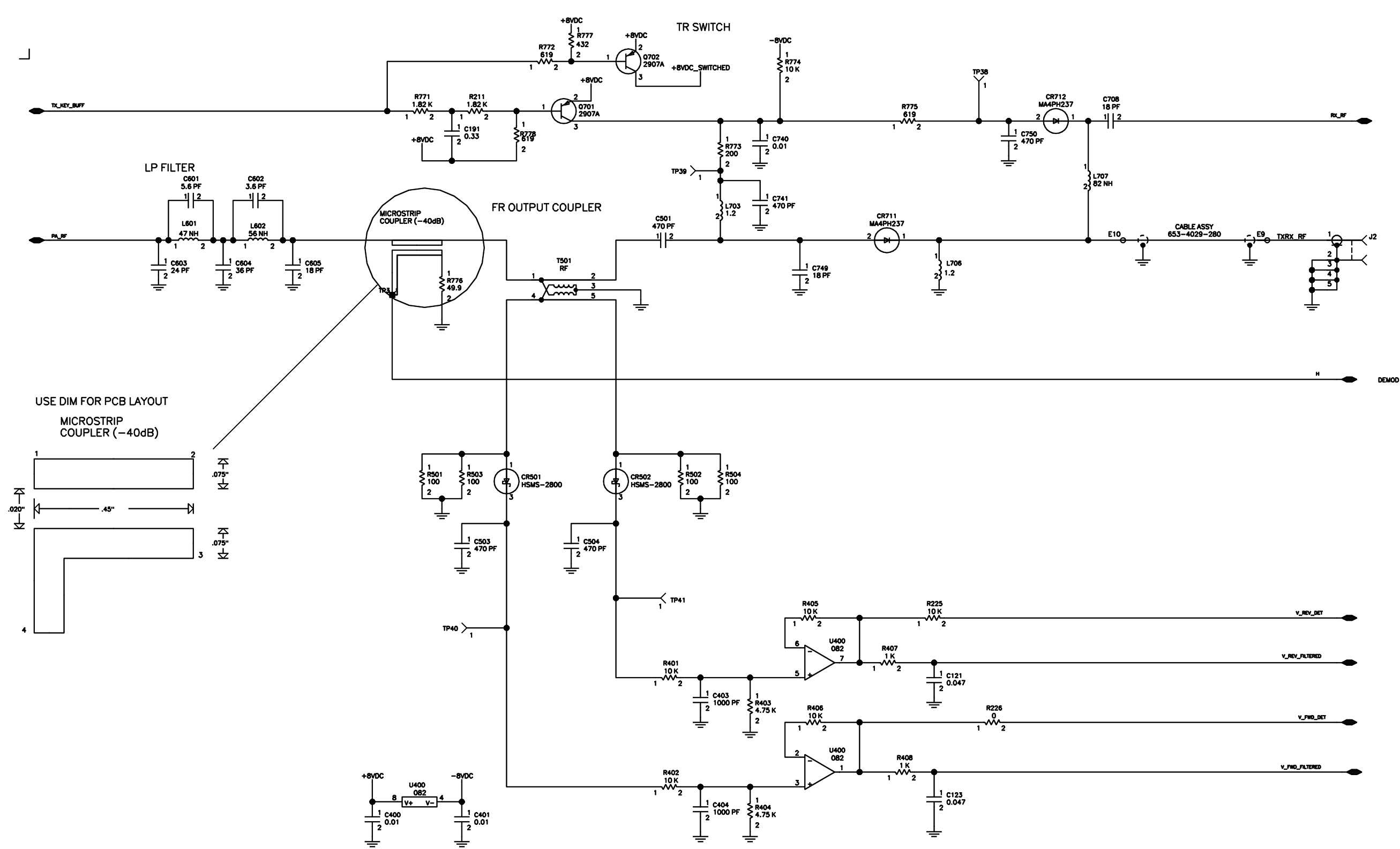
SIZE	D	CAGE CODE	4V792	DWG NO.	828-8586-002	REV LTR	B
SCALE	NONE			SHEET	7		

Plotted 04/02/01 07:56

ROCKWELL COLLINS
PROPRIETARY INFORMATION.

PRELIMINARY

THIS DRAWING IS CREATED FROM DIGITAL DATA



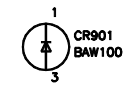
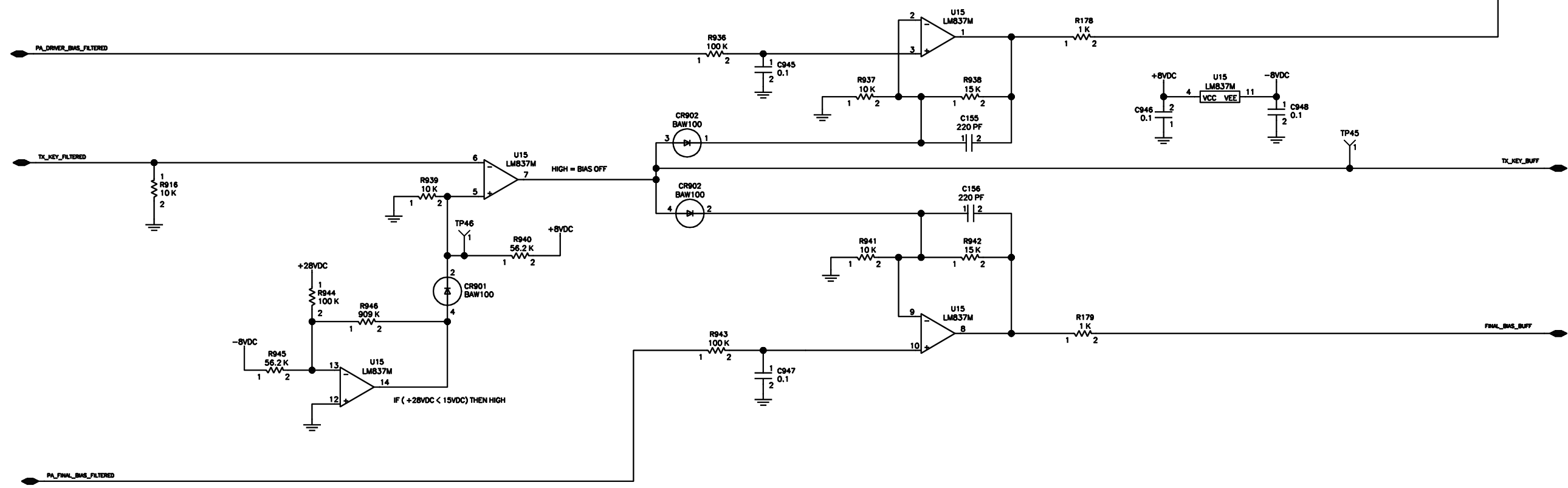
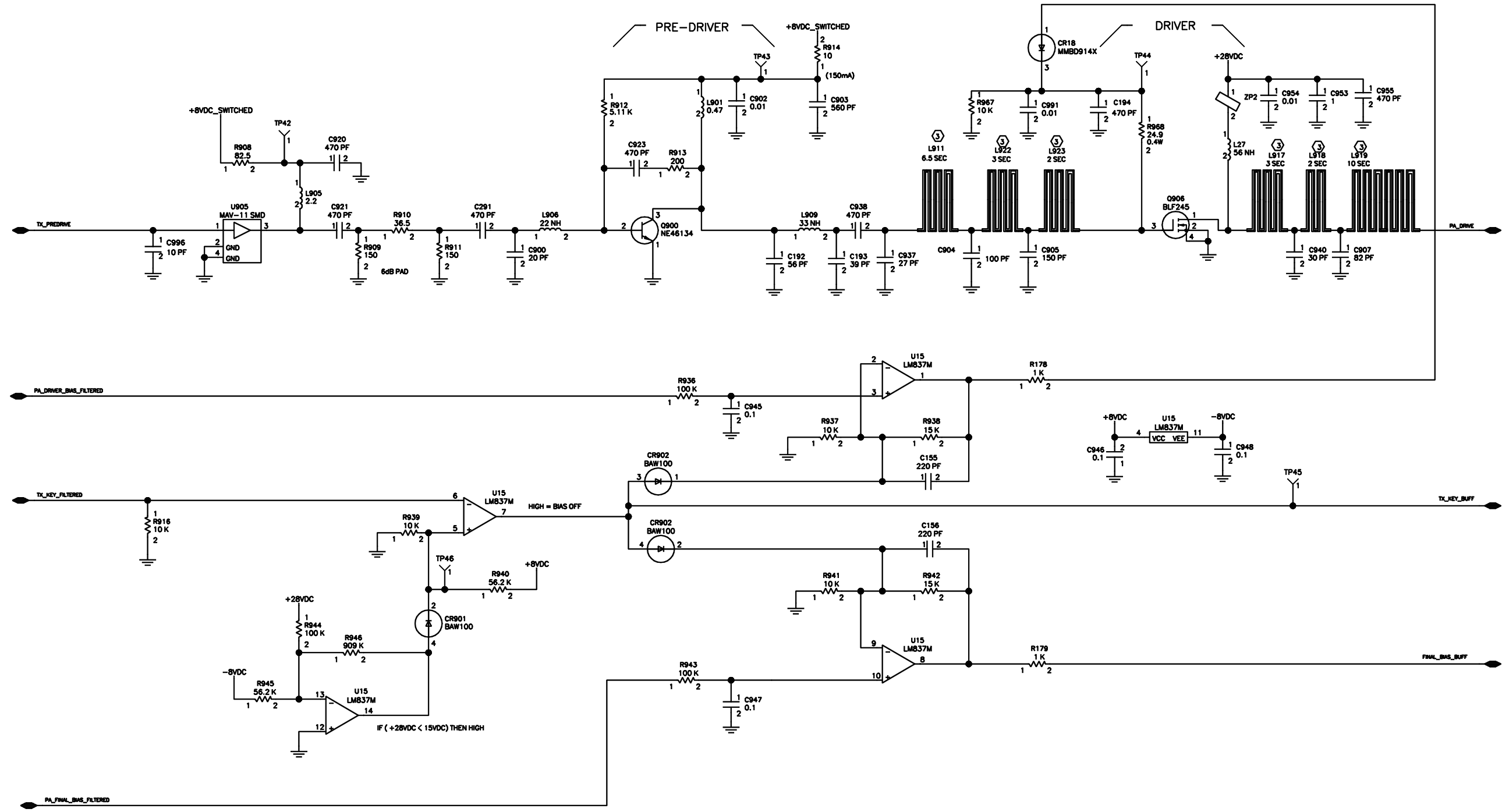
THIS DRAWING IS CREATED FROM DIGITAL DATA

SIZE	CAGE CODE	DWG NO.	REV LTR
D	4V792	828-8586-002	B
SCALE	NONE		SHEET 8

ROCKWELL COLLINS
PROPRIETARY INFORMATION.

PRELIMINARY

THIS DRAWING CREATED FROM DIGITAL DATA



THIS DRAWING IS CREATED FROM DIGITAL DATA

SIZE	CAGE CODE	DWG NO.	REV LTR
D	4V792	828-8586-002	B
SCALE	NONE		SHEET 9

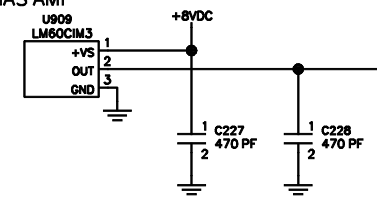
Plotted 04/02/01 07:56

ROCKWELL COLLINS
PROPRIETARY INFORMATION.

PRELIMINARY

THIS DRAWING CREATED FROM DIGITAL DATA

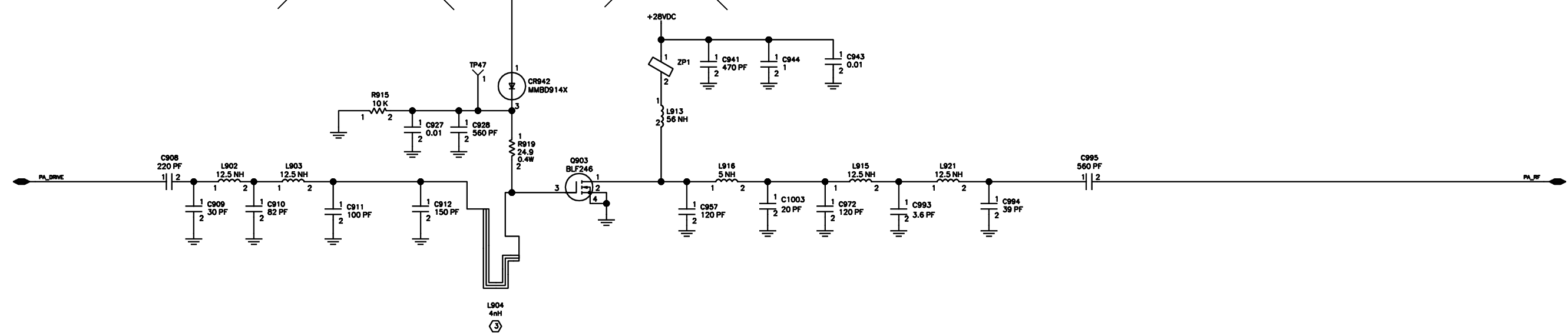
TEMPERATURE / BIAS AMP



FINAL_BIAS_BUFF

FINAL BIAS SW

FINAL



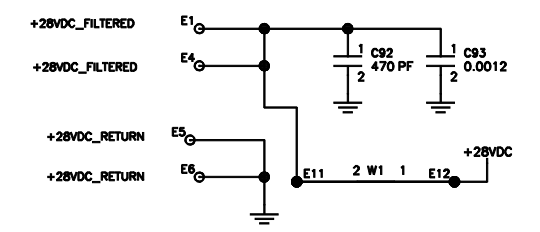
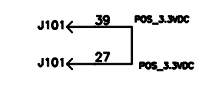
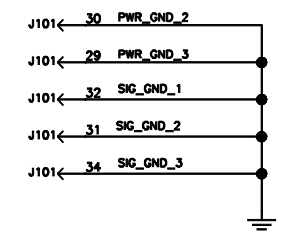
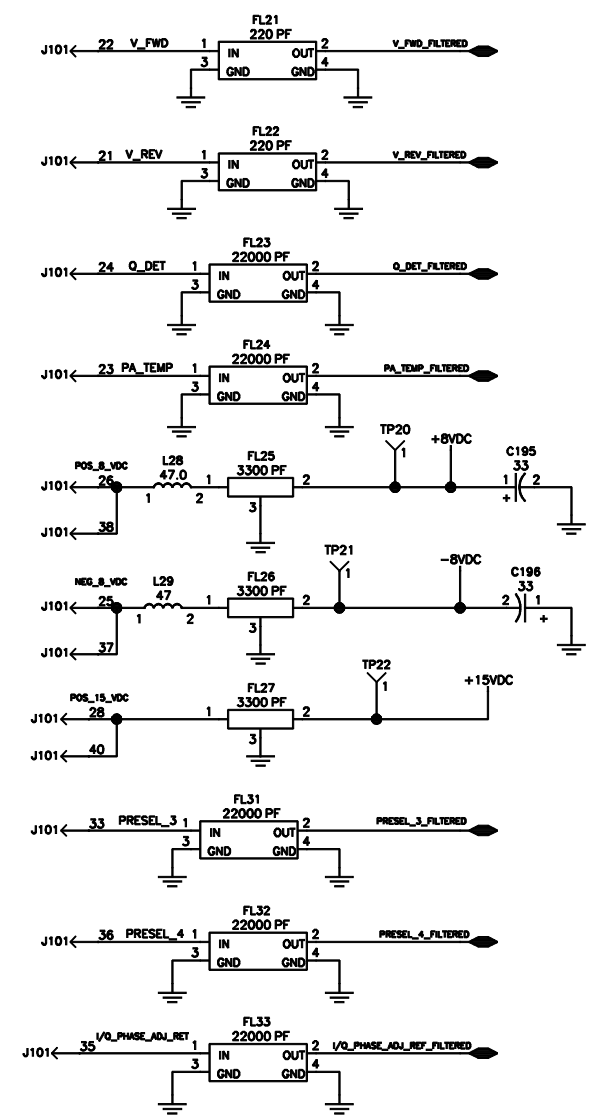
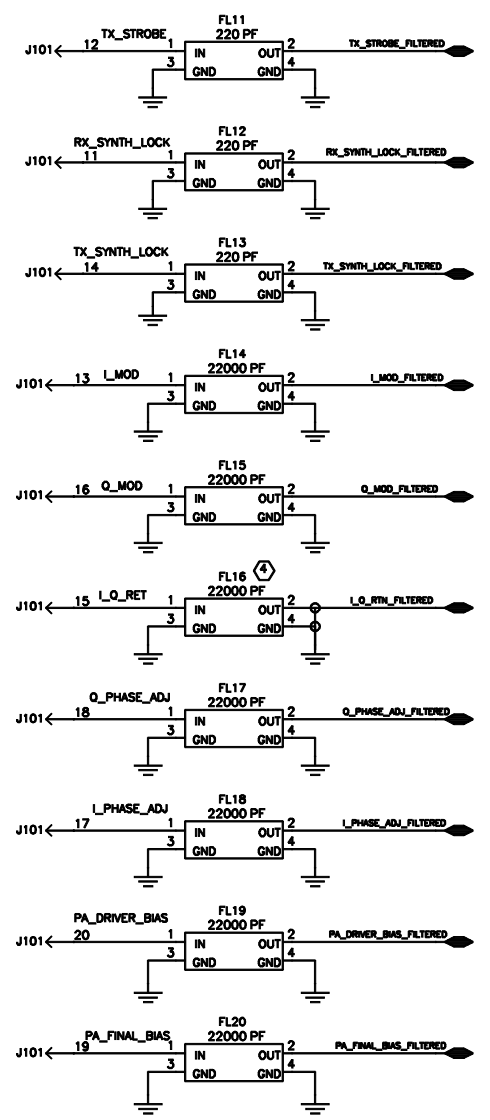
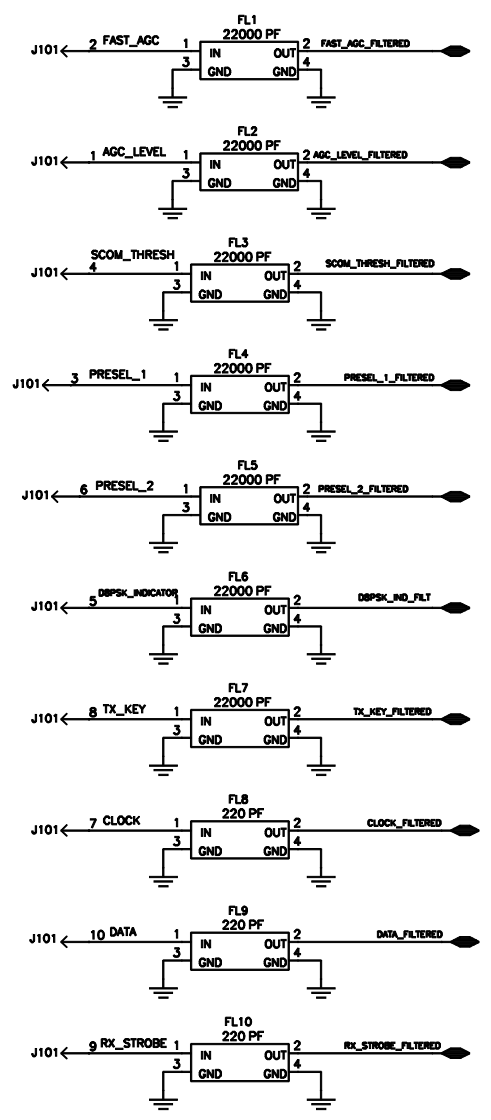
THIS DRAWING IS CREATED FROM DIGITAL DATA

ROCKWELL COLLINS
PROPRIETARY INFORMATION.

SIZE	CAGE CODE	DWG NO.	REV LTR
D	4V792	828-8586-002	B
SCALE	NONE	SHEET	10

THIS DRAWING CREATED FROM DIGITAL DATA

PRELIMINARY



THIS DRAWING IS CREATED FROM DIGITAL DATA

SIZE	CAGE CODE	DWG NO.	REV LTR
D	4V792	828-8586-002	B
SCALE	NONE	SHEET	11

PRELIMINARY

THIS DRAWING IS CREATED FROM DIGITAL DATA