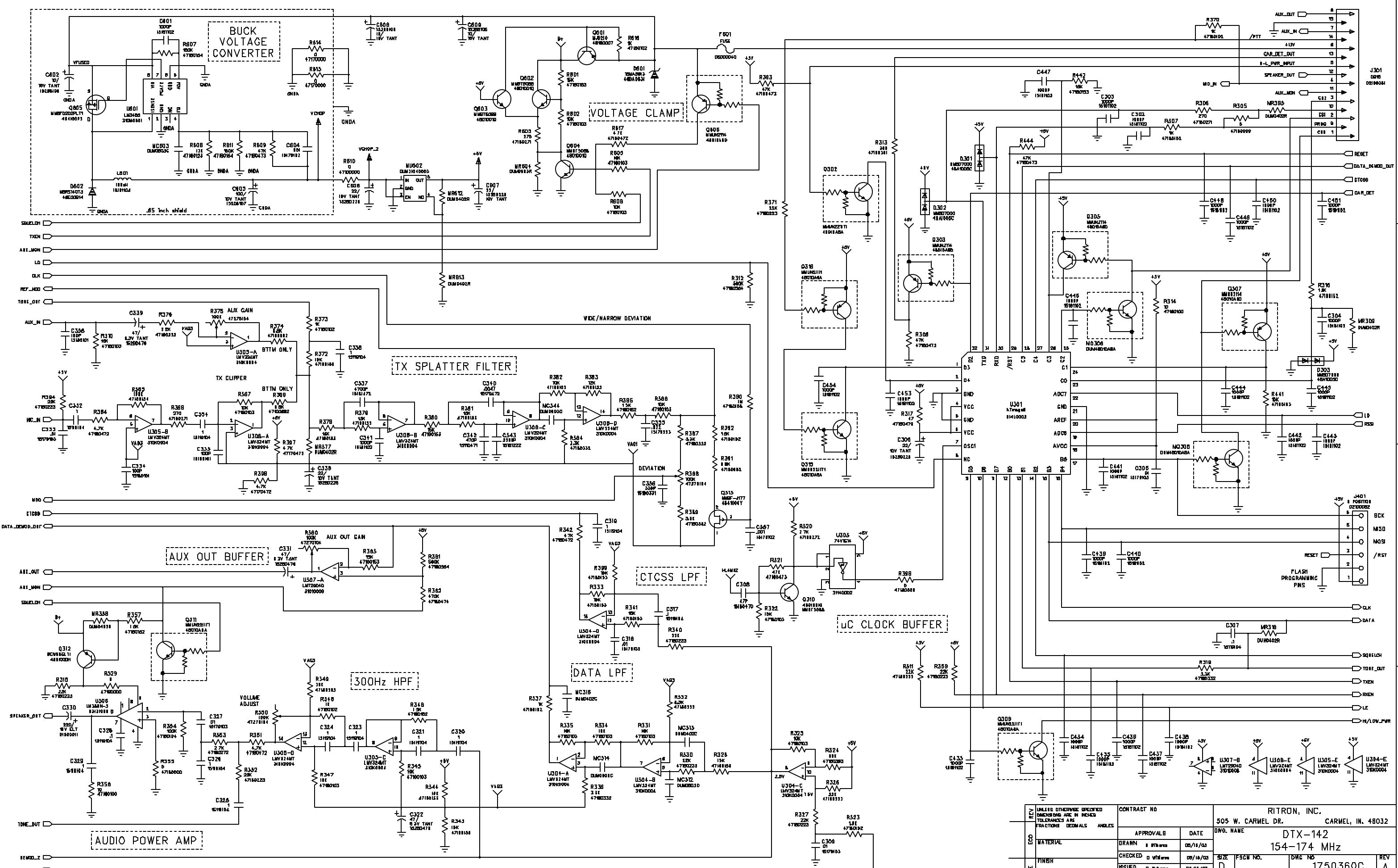
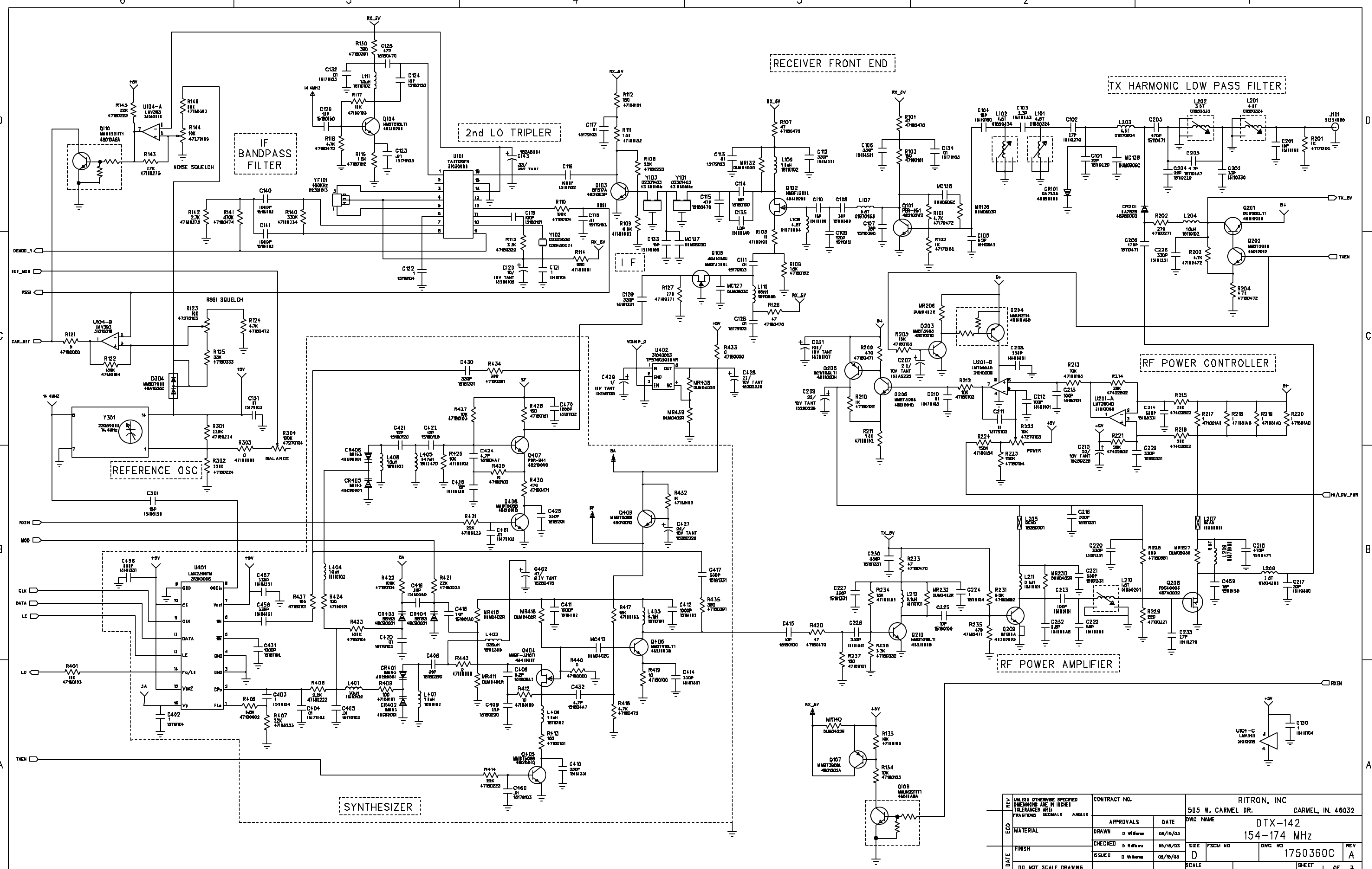


TYPE OF EXHIBIT:	SCHEMATICS
FCC PART:	2.1033(c)(10)
MANUFACTURER:	RITRON, INC. 505 West Carmel Drive Carmel, IN 46032
MODEL:	DTX-142
TYPE OF UNIT:	VHF-FM Two Way Radio Transceiver Module
FCC ID:	AIERIT17-142
DATE:	May 21, 2003



UNLESS OTHERWISE SPECIFIED DIMENSIONS ARE IN INCHES TOLERANCES ARE FRACTIONS DECIMALS ANGLES		CONTRACT NO.		RITRON, INC.	
APPROVALS		DATE		505 W. CARMEL DR. CARMEL, IN. 46032	
DRAWN		05/18/03		DWG. NAME	
CHECKED		09/16/03		DTX-142	
ISSUED		05/16/03		154-174 MHz	
DO NOT SCALE DRAWING		SCALE N/A		SHEET 2 OF 2	



REV		UNLESS OTHERWISE SPECIFIED TOLERANCES ARE IN PERCENT FRACTIONS DECIMALS ANGLES		CONTRACT NO.		RITRON, INC 505 W. CARMEL DR. CARMEL, IN. 46032	
MATERIAL		DRAWN		APPROVALS		DATE	
FINISH		CHECKED		ISSUED		DATE	
DO NOT SCALE DRAWING		SCALE		SHEET		OF 2	
				DWG NAME		DTX-142 154-174 MHz	
				SIZE		D	
				FSCM NO		1750360C	
				REV		A	