

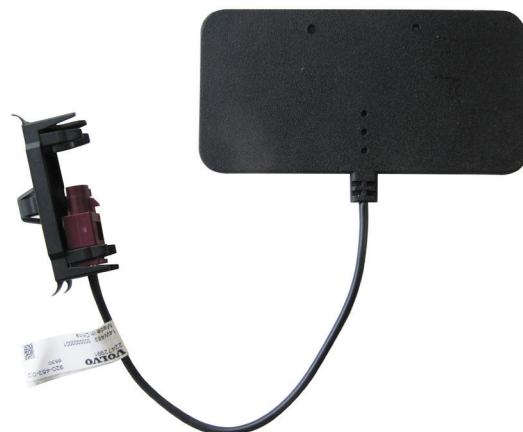
Datasheet

ANTENNA INTERIOR PHONE-PK

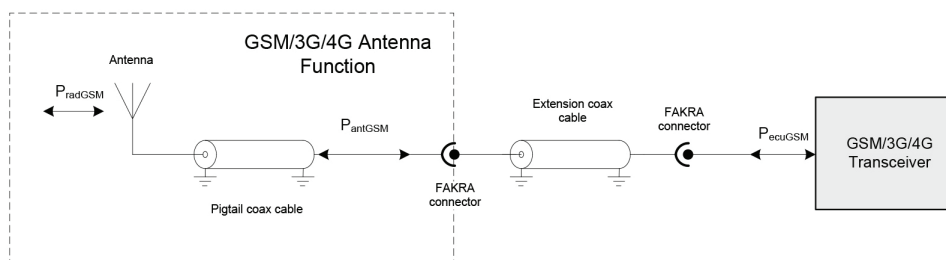
ANTENNA PHONE-PK INTERIOR

Pt no.
23311714 / 920 453-003

- Passive transmitting and reception antennas for the Cellular phone services 2G/3G/4G
- Low body height max. 5 mm
- Coverage of frequency bands LTE low (USA+EU), GSM850/900/1800/1900, UMTS, LTE high
- Mounting on plastic and glass materials



Subject to alterations



Technical data*

Parameter	TR reference	Remarks	Units	Values
Package				107x54x5 mm
Housing Materials	REQ 22379848-23 v1			TPU Elastollan® Konz 917/1, black
Housing Protection Class	REQ 22379848-7 v1 REQ 22379848-7 v1	ISO 20653		IP 5k2
Operating Temperature	REQ 22379848-9 v1			-40- +85°C
Storage Temperature				-40- +85°C
Cable type	REQ 22379848-41 v1	RG 174		< 1 @ 1GHz < 1.6 @ 2GHz < 2 @ 2.7GHz

GSM/3G/4G

Parameter	TR reference	Frequency ranges	Units	Values
Frequency bands	REQ 22379848-53 v1	698 ≤ f ≤ 803 MHz 824 ≤ f ≤ 960 MHz 1710 ≤ f ≤ 2170 MHz 2300 ≤ f ≤ 2690 MHz	dB	±0,5
Return Loss	REQ 22379848-54 v1	699 - 803 MHz 824 - 894 MHz 880 - 960 MHz 1710 - 2170 MHz 2300 - 2690 MHz	typ. dB	7.3 10 9.8 8.0 8.9
Polarization	REQ 22379848-60 v1			linear

Datasheet

ANTENNA PHONE-PK INTERIOR

Pt no.

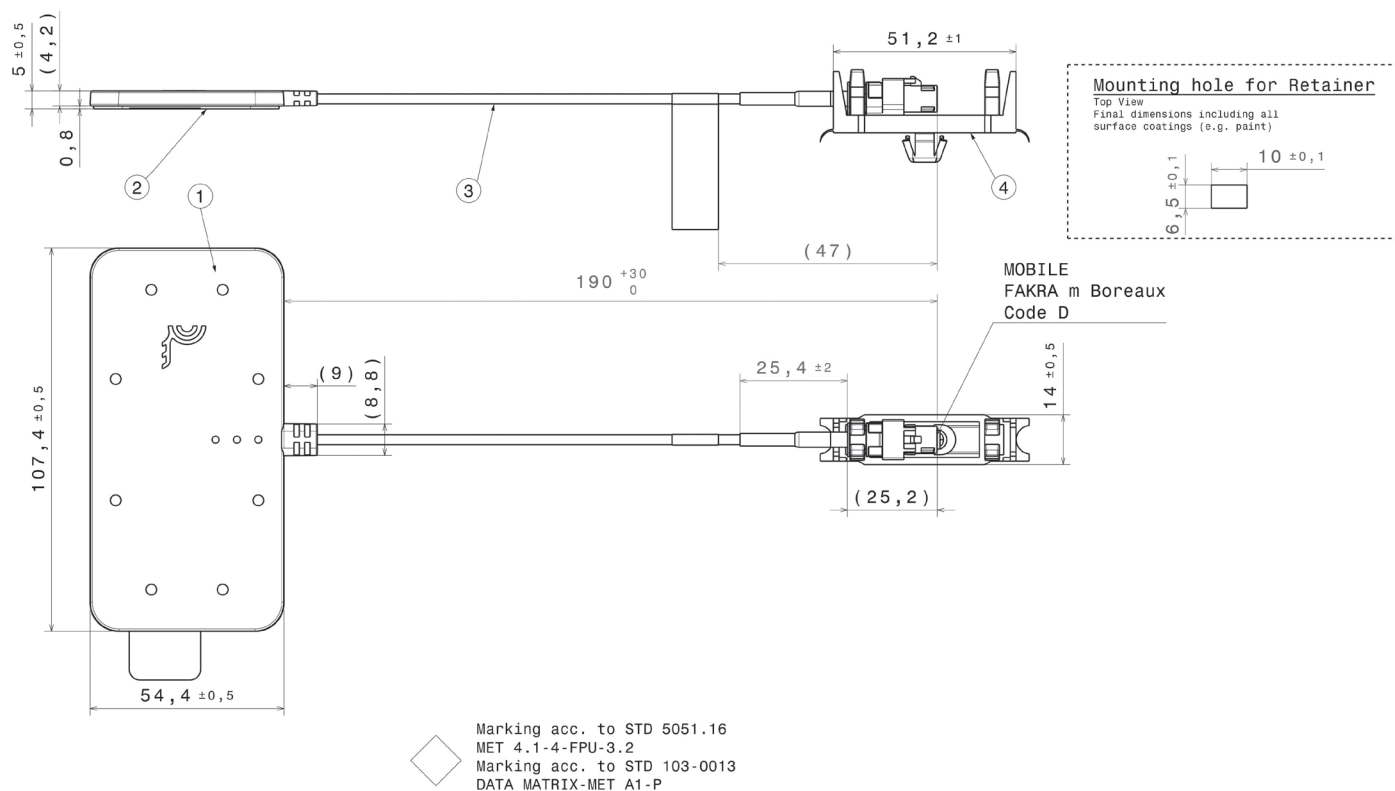
23311714 / 920 453-003

Technical data*

Parameter	TR reference	Frequency ranges	Units	Values
Antenna Gain (Average)	REQ 22379848-55 v1	699 - 803 MHz 824 - 894 MHz 880 - 960 MHz 1710 - 2170 MHz 2300 - 2690 MHz	typ. dBi	0.7 1.6 1.6 0.6 -0.1
Impedance	REQ 22379848-54 v1		Ω	50
Diagnosis Resistor	REQ 22379848-67 v1		k Ω	51
Power Handling	REQ 22379848-48 v1		W	5

* All technical requirements are according to 22379848.06 "Antenna System P2593/P2594 Multifunctional & Single function antennas"

Technical drawings



Datasheet

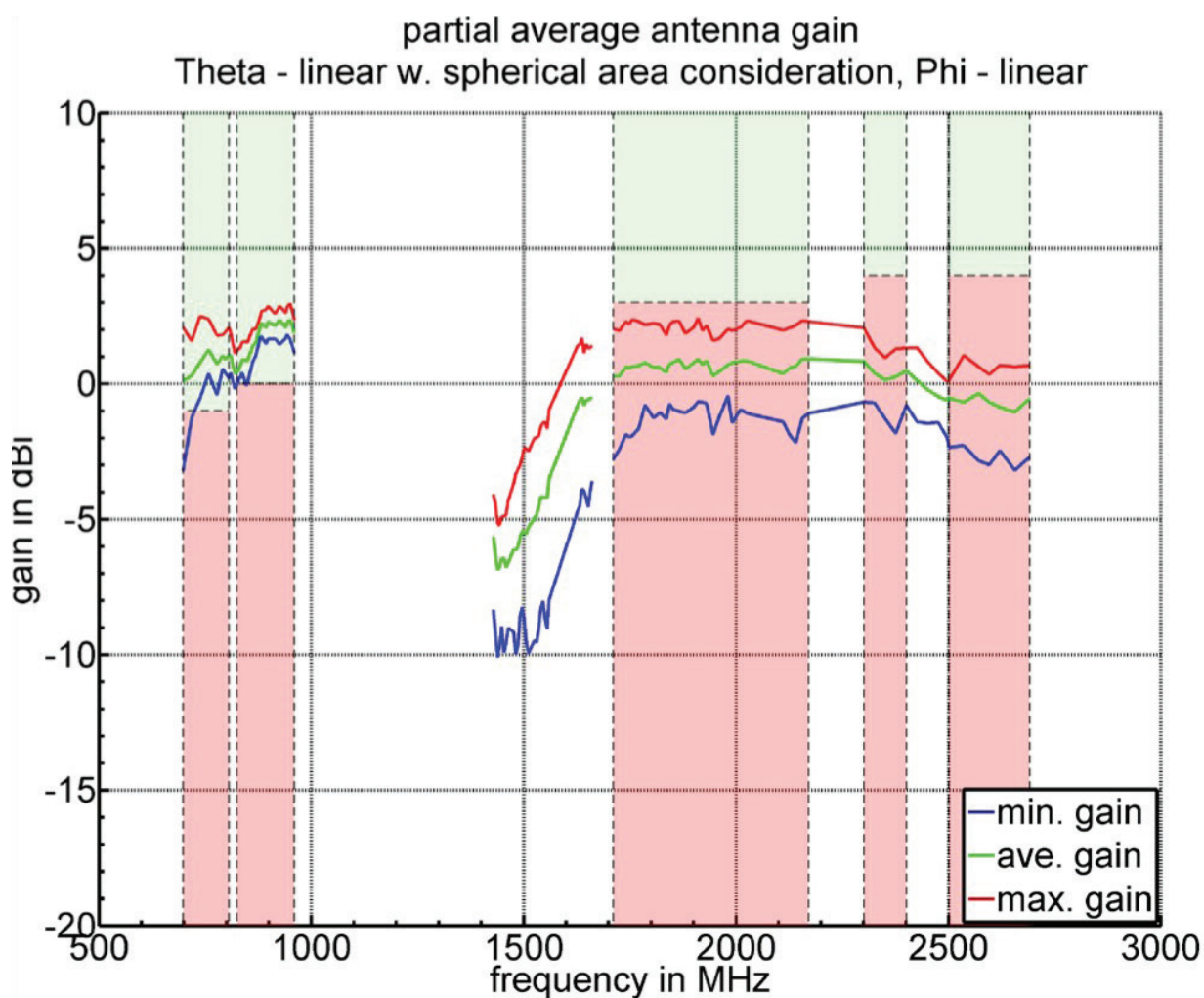
ANTENNA PHONE-PK INTERIOR

Pt no.

23311714 / 920 453-003

Antenna diagrams

Gain



Datasheet

ANTENNA PHONE-PK INTERIOR

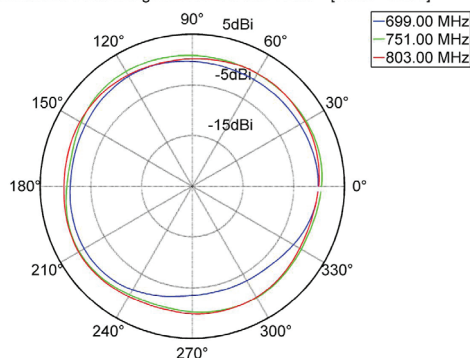
Pt no.

23311714 / 920 453-003

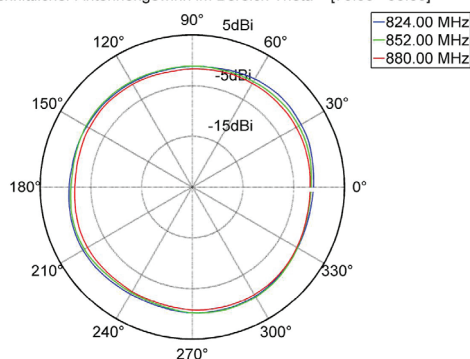
Antenna diagrams

Radiation pattern

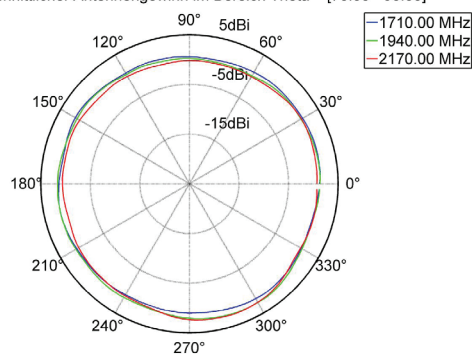
Richtdiagramm für Frequenzbereich [699 - 803] MHz
Durchschnittlicher Antennengewinn im Bereich Theta = [70.00 - 90.00]°



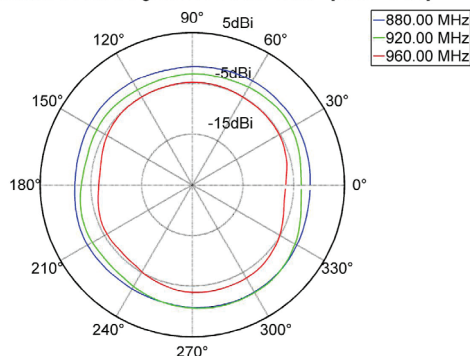
Richtdiagramm für Frequenzbereich [824 - 880] MHz
Durchschnittlicher Antennengewinn im Bereich Theta = [70.00 - 90.00]°



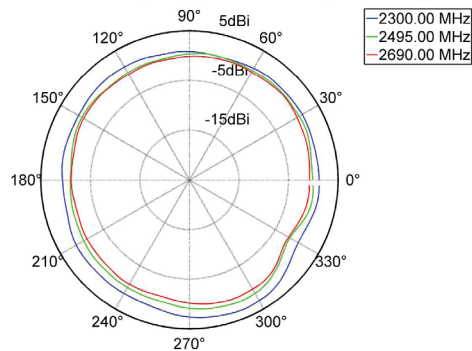
Richtdiagramm für Frequenzbereich [1710 - 2170] MHz
Durchschnittlicher Antennengewinn im Bereich Theta = [70.00 - 90.00]°



Richtdiagramm für Frequenzbereich [880 - 960] MHz
Durchschnittlicher Antennengewinn im Bereich Theta = [70.00 - 90.00]°



Richtdiagramm für Frequenzbereich [2300 - 2690] MHz
Durchschnittlicher Antennengewinn im Bereich Theta = [70.00 - 90.00]°



4G, Gain over phi, ANTENNA INTERIOR PHONE-PK ANTENNA, <1GHz

4G, Gain over phi, ANTENNA INTERIOR PHONE-PK ANTENNA, >1GHz

Datasheet

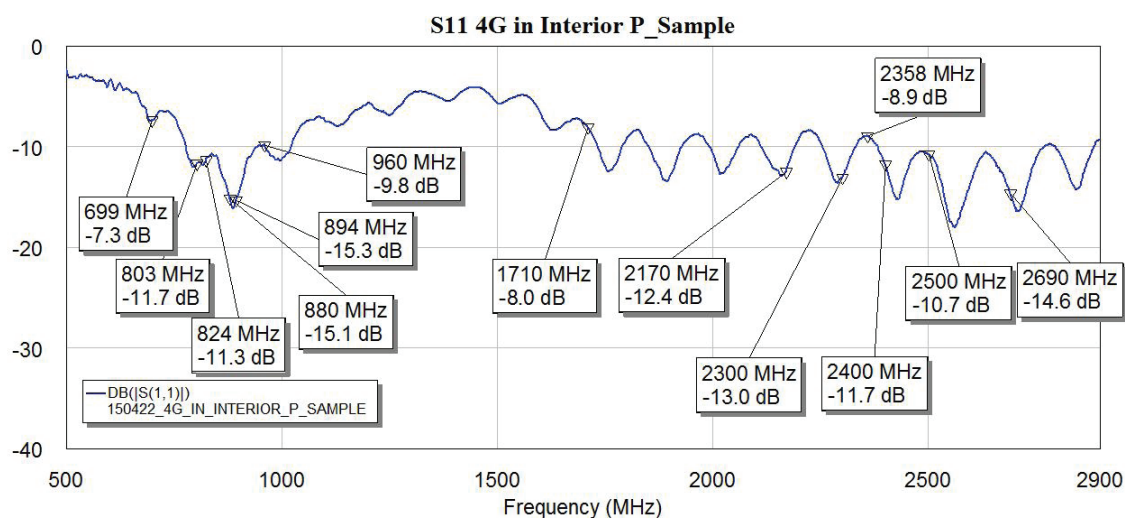
ANTENNA PHONE-PK INTERIOR

Pt no.

23311714 / 920 453-003

Antenna diagrams

Return loss



Frequency Table

Service	Lower Limit	Upper Limit
LTE	699 MHz	803 MHz
AMPS+GSM900	824 MHz	960 MHz
GSM1800+UMTS	1710 MHz	2170 MHz
LTE	2300 MHz	2690 MHz

Confection

Datasheet is valid also for logistically handled package conditions

23311714 / 920 453-503 Single package replacement