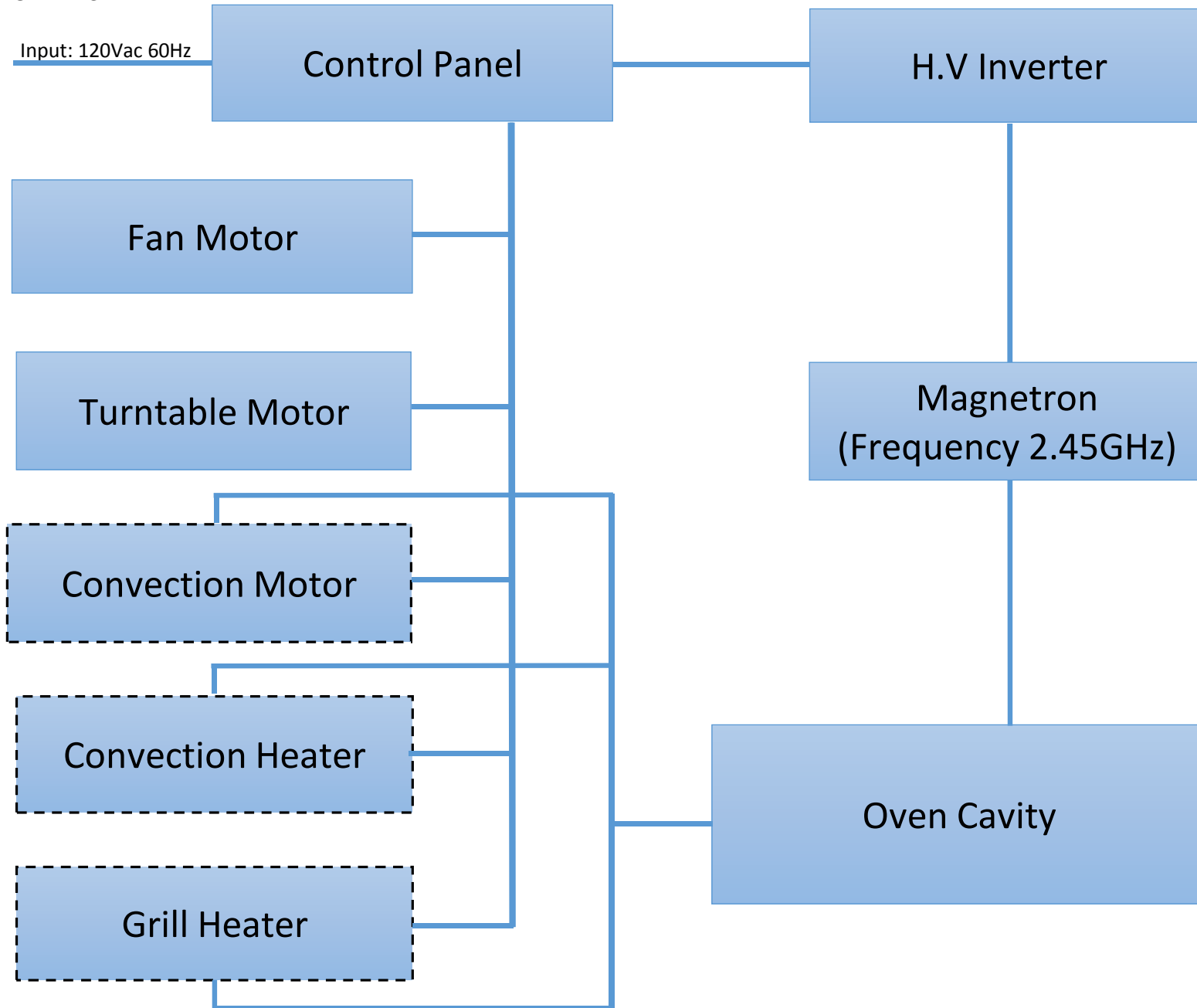


Block Diagram

FCC ID: ACLAPBT31



Note Components outlined with a dotted line are optional and may not be provided in this model family.