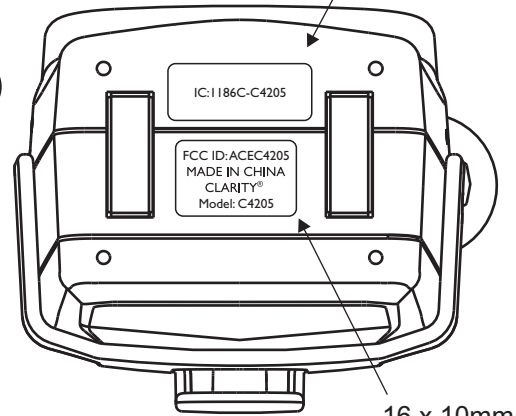
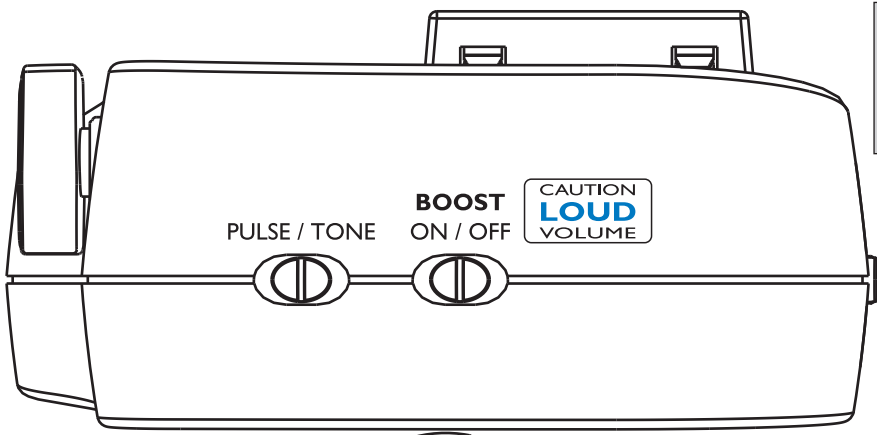


C4205
Rev.3
05/20/2005

19 x 7.5mm



16 x 10mm

