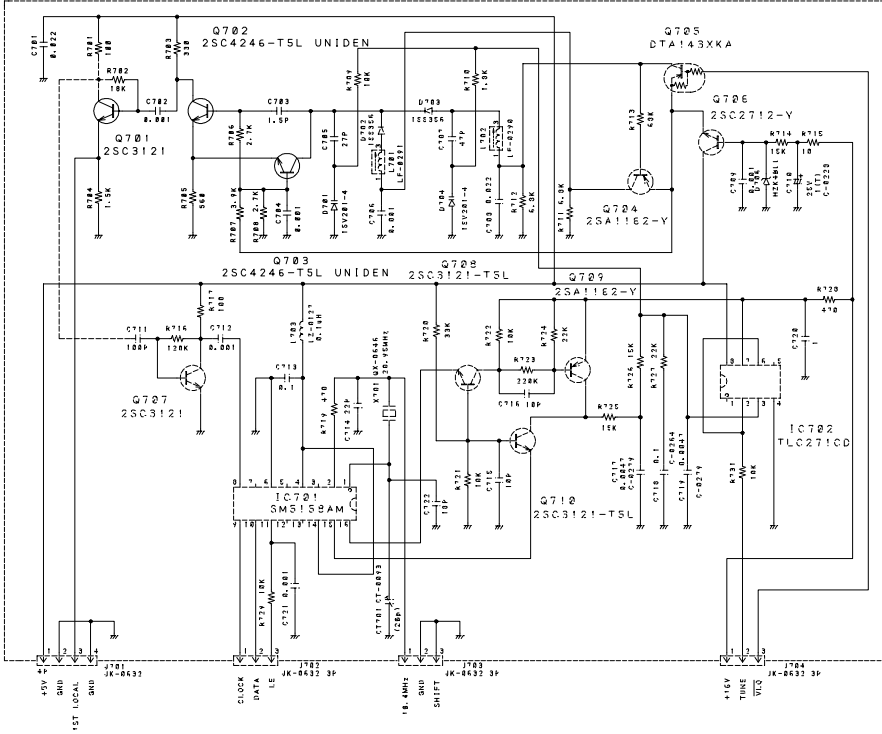


B751 PH-8132



- NOTES:
1. RESISTANCE VALUES ARE SHOWN IN OHMS UNLESS OTHERWISE NOTED. (K=KILLO OHM, M=MEG OHM)
 2. RESISTOR WATTAGES ARE [1/16W] UNLESS OTHERWISE NOTED.
 3. CAPACITANCE VALUES ARE INDICATED IN MICRO FARADS UNLESS OTHERWISE NOTED. (P=MICRO-MICRO FARAD)
 4. CHIP CAPACITOR'S SIZES ARE (1608) TYPE UNLESS OTHERWISE NOTED.

| DESIGN | DRAWN BY | UNIDEN No. | MODEL No. |
|--------------|-----------|-------------------|-----------|
| 98.12.08 | 98.12.08 | UB-2952 | PK0-2849 |
| Y. TAKA | Y. TAKA | TITLE | PLL PCB |
| CHECK BY | APPROV BY | SCHEMATIC DIAGRAM | |
| DRAWING No. | | | |
| UNIDEN CORP. | | | |