

开发案号 Project: Y240722935

日期 Date.: 2024.08.01

版本 Ver.: A0

承认书

Antenna SPEC

客户名称 Customer name: 奥尼电子 aoni

调试项目 Customer project: B080

客户料号 Customer P/N: _____

博安通料号 B&T P/N: 74220504

规格描述 Spec.: 内置天线-2.4G-黑色 1.13 锡锡线-1 代端子
-L=40mm-FPC-36×14.5mm

Spec.: Built-in antenna-2.4G-black 1.13 tin wire-first generation
terminal-L=40mm-FPC-36×14.5mm

出厂签章 Sealed by corporation:

编写 compilation	审核 verify	批准 approval
邱翠萍 Qiucui ping	覃麟舒 Qinlinshu	刘立华 Liulihua

客户承认签章 Sealed by customer:

检查 check	审核 verify	批准 approval

博安通联系方式 Contact information of B&T:

业务联系人: 陈亚东 Contact person for sales: Chenyadong	手机 MB: 18675581971	邮箱 E-mail: chenyd@tech-now.com
技术联系人: 覃麟舒 Contact person for technical: Qinlinshu	手机 MB: 18776877518	邮箱 E-mail: qinls@tech-now.com
品质联系人: 曾康 Contact person for Quality: zengkang	手机 MB: 18188400229	邮箱 E-mail: zengk@tech-now.com

目录

Contents

1、封面 Cover	1
2、目录 Directory	3
3、产品图面 Product drawing	4~5
4、性能参数表 Performance parameters Table	6
5、电气性能测试报告 Electrical performance test report	7-8
6、材料成份及有害物质表 List of Material Composition and Hazardous Substance	8
7、包装规范 packaging specification	9
8、天线安装位置示意图 Antenna installation position Diagram	10
9、可靠性测试要求 Reliability test requirements	11~12

3、产品图面 Product drawing

修改日期		修订内容	
版次	修改日期	版次	修订内容
A0	24-8-1		

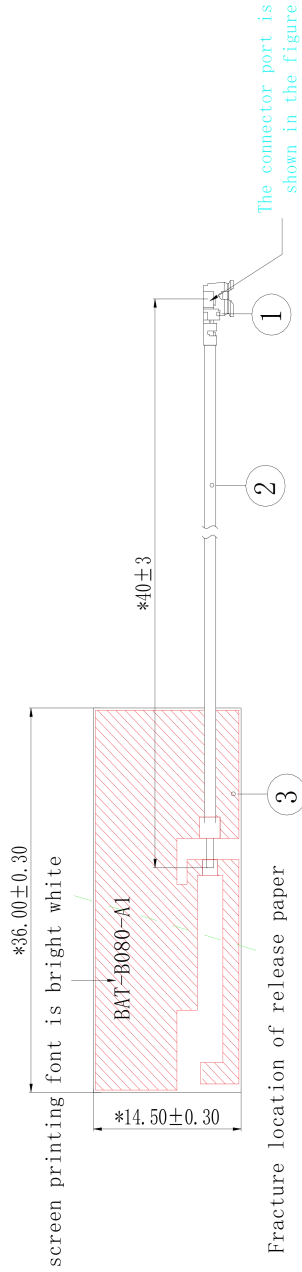
正视图

技术要求

- 1: 天线焊接部位牢固, 线缆尺寸准确(端子维持力 $\geq 1\text{Kgf}$).
- 2: 丝印颜色为亮白色, 字体清晰不易脱落.
- 3: "*"为IQC重点检验尺寸.
- 4: 包装以及品质标准分别参考博安通包装规范和博安通品质标准.
- 5: 材料符合ROHS2.0要求.
- 6: 端子杯口对朝向.

序号	零件名称	备注	设计	谢美铨	重量	数量	比例	单位	名称
①	1代RF端子		审核						内置天线-2.4G-黑色1.13锡锡线-1代端子-L=40mm-FPC-36×14.5mm
②	同轴线		批准						项目号
③	FPC	OSP处理					1:1	mm	料号
			1 >X	±0.05					Y240722935
			1~9.99	±0.10					74220504
			10~19.99	±0.15					
			20~39.99	±0.20					
			40~	±0.30					
第 1 张 共 1 张									博安通

Version		Revised content	
A0	24-8-1		



Front view

Technical requirements

1. The antenna welding part is firm and the cable size is accurate (the holding force of the connector is $\geq 1\text{KgF}$).
2. The silk screen color is the original color of the substrate, and the font is clear and not easy to fall off.
3. "*" indicates the dimensions that are key to IQC inspection.
4. The packaging and quality standards refer to the Boantong Packaging Specifications and B&T Quality Standards respectively.
5. The materials comply with ROHS.
6. The connector port identification direction

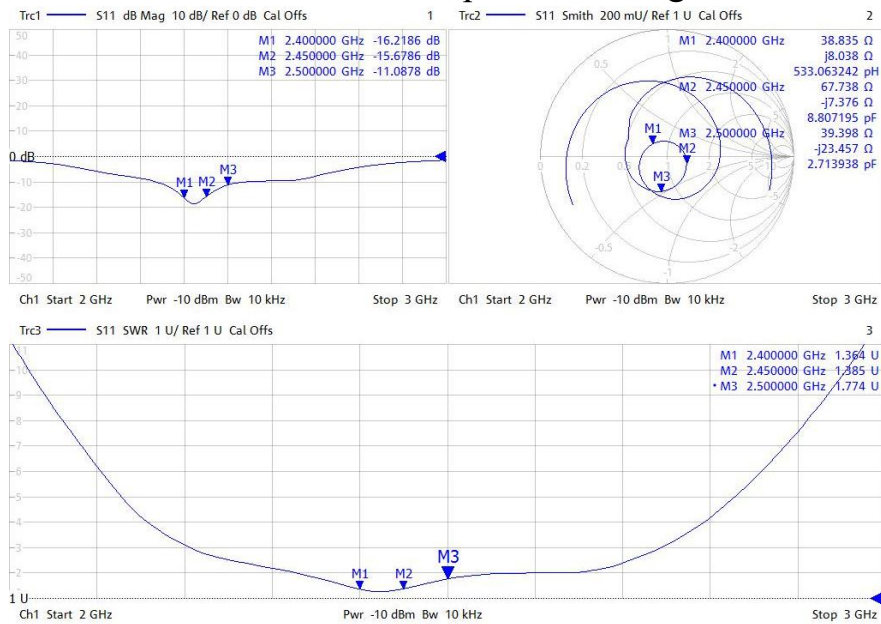
Number	Part Name	remarks	Design	Xiellei quan	weight	quantity	proportion	Company	name	Project number
①	1st connector		toexamine						Built-in antenna-2.4G-black 1.13 tin wire-first generation terminal-L=40mm-FPC-36X14.5mm	Y240722935
②	Coaxial line		approval							74220504
③	FPC	OSP processing								
			1 > X	± 0.05			1:1	mm		
			1~9.99	± 0.10						
			10~19.99	± 0.15						
			20~39.99	± 0.20						
			40~	± 0.30						
Page 11 1 in total									B&T	

4、性能参数 Properties ¶meter

电气参数 Electrical parameter	
频率范围 Freq Range	2400~2500MHz
输入阻抗 Characteristic Impedance	50 Ω
驻波比 VSWR	≤3.0
增益 Gain	≥0.41dBi, ≤0.82dBi
功率容量 The Max input power	<10w
极化方式 Polarization mode	线极化 Linear polarization
辐射方向 Radiation direction	全向 omnidirectional
接头型号 Joint type	端子 IPEX connector
机械参数 Mechanical parameter	
线长 Length	40±3mm
端子维持力 Maintain the force	≥1kgf
同轴电缆 Coaxial cable	黑色 1.13 锡锡线 black 1.13 tin tin cable
盐雾测试 Salt spray test	24H
环境参数 Environment parameter	
工作温度 Operating Temp	-30℃~65℃

5、电气性能测试报告 Electrical test report (整机测试 Whole machine testing)

天线 S11 参数图 Antenna S11 parameter diagram



➤ 驻波比数据 Standing wave ratio data

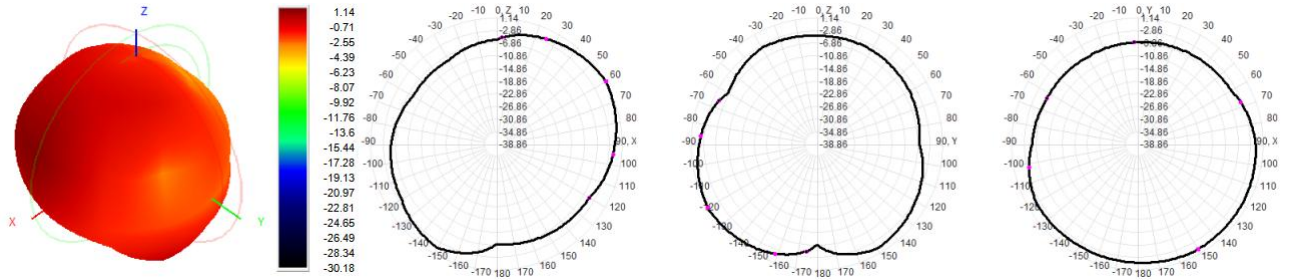
Freq/MHz	2400	2450	2500
VSWR	1.364	1.385	1.774

➤ 天线暗室测试数据 Antenna darkroom test data

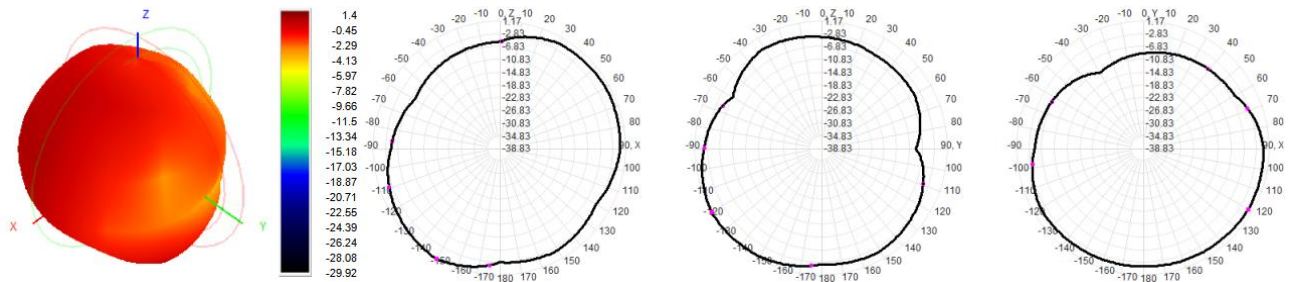
Frequency (MHz)	Efficiency(dB)	Gain(dBi)	Efficiency(%)
2400	-3.28	0.71	46.95
2410	-3.14	0.76	48.51
2420	-3.15	0.67	48.38
2430	-3.03	0.78	49.76
2440	-3.03	0.82	49.78
2450	-3.19	0.69	47.92
2460	-3.10	0.79	48.93
2470	-3.12	0.82	48.81
2480	-3.37	0.63	46.03
2490	-3.41	0.61	45.61
2500	-3.42	0.41	45.45

➤ 天线方向图 Antenna direction diagram

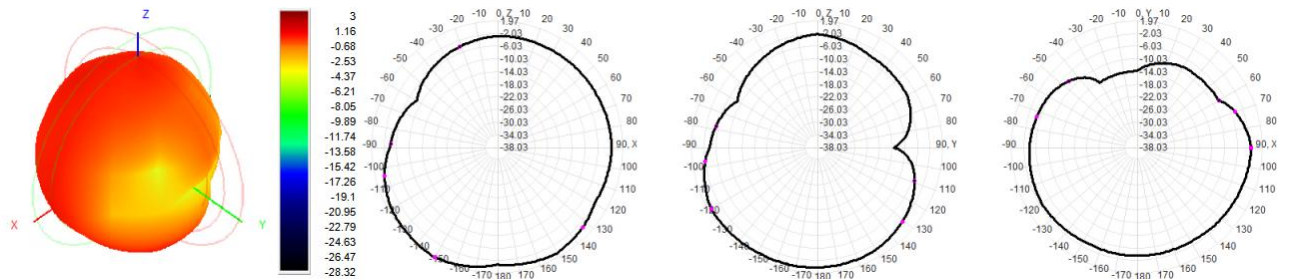
2400MHz



2450MHz



2500MHz



6、材料成分及有害物质表 List of Material Composition and Hazardous Substances

项次 Item	规格 Specification	材质 Texture of material	ICP 检测编号 ICP test number						检测时间 Test time	项次 Item
			Cd	Pb	Hg	Cr+6	PBB	PBDE		
1	线 wire	FEP	ND	ND	ND	ND	ND	ND	NGBPC24000131241	2024/1/16
		镀锡铜线 Tinned wire	ND	ND	ND	ND	ND	ND	A2240376995101001	2024/7/1
2	端子 Terminal	PBT	ND	3.76	ND	ND	ND	ND	ETR23705930	2023/8/4
		磷青铜 Phosphor Bronze	ND	6	ND	ND	ND	ND	CANEC24000977301	2024/1/22
3	FPC	PI	ND	ND	ND	ND	ND	ND	SHAEC24000428805	2024/1/12
		OSP	ND	ND	ND	ND	ND	ND	SHAEC23021627701	2023/12/27

产品包装规范

PACKING CRITERION

产品料号 P/N: 74220504

产品规格: 内置天线-2.4G-黑色 1.13 锡锡线-1 代端子-L=40mm-FPC-36×14.5mm

Spec: Built-in antenna-2.4G-black 1.13 tin wire-first generation terminal-L=40mm-FPC-36×14.5mm

一、标签要求 (根据客户名称参考对应的成品标签制作要求, 无要求即按普通标签要求)
 contents of label(according to the customer's name, refer to the corresponding finished product label production requirements. If there is no requirement, it will follow the ordinary label requirements.)

内外标签 长 10cm 宽 6cm 左右

The inner and outer labels are about 10cm long and 6cm wide

需方 buyer	*****		
供方 vender	中山市博安通通信技术有限公司 Zhongshan B&T Communication Technology Co., Ltd 四川博安通通信技术有限公司 Sichuan B&T Technology Co., Ltd.		
物料编码 Purchase No	*****		
生产单号 Material No.	*****		
品名规格 Name specification	*****	检验员 QC	**
数量/单位 Q'ty/Unit	*****	日期 Manufacture date	*****
追溯码 Trace code	*****	流水号 Serial number	**

二、装箱要求 Packing requirement

作业说明 Operating description:

1. 内包装 inner packing:

产品 50 PCS/小袋/small bag

200 PCS/大袋 big bag

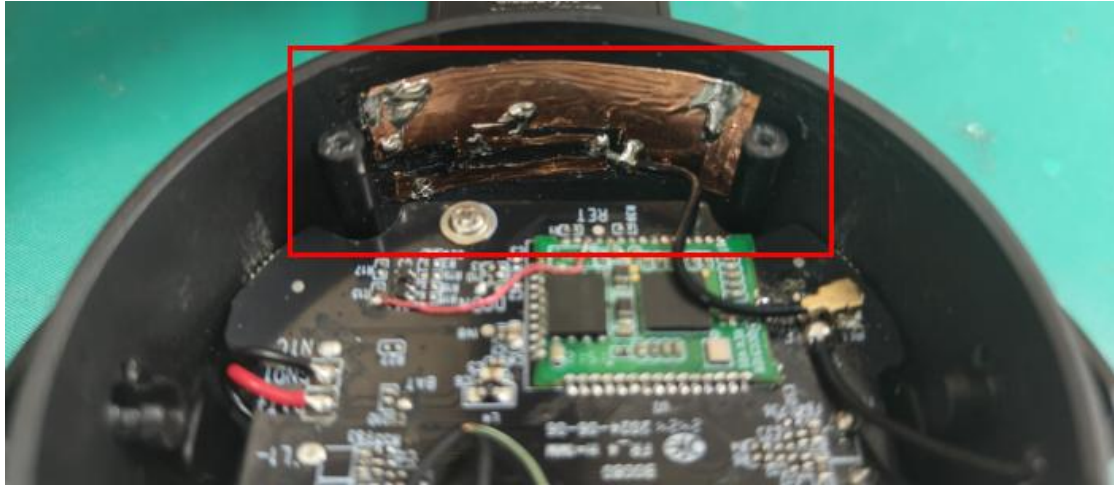
2. 外包装 outer packing:

根据实际包装定数量 Quantity according to actual packing/箱 carton

注意事项 Notice:

- 是否要增设隔板、珍珠棉 Whether to add partitions, pearl cotton;
- 标签的贴附, 如 ROHS 等 Labeling, such as ROHS;

8、天线整机安装示意图 Antenna installation position Diagram



9、可靠性测试要求 Reliability test requirements

序号 No.	可靠性试验名称 Reliability test name	试验条件 Test conditions	判定标准 Judgment criteria
1	恒温恒湿试验 Constant temperature and humidity test	高温:70℃, 湿度:80%RH 24H; 低温 -40℃ 24H;共持续 48H; High temperature:70℃, Humidity:80%RH 24H; low temperature: -40℃ 24H; total duration: 48H;	试验前后外观要求: 金属表面镀层应无剥落, 裂痕起皱, 分离等。非金属部分不应变色, 发生开裂, 变形, 脱胶等不良; 电气性能测试符合标准要求; Appearance requirements before and after the test: The metal surface coating should be free of peeling, cracks, wrinkles, separation, etc. The non-metallic parts should not change color, crack, deform, degumming or other defects. Electrical performance testing meets standard requirements;
2	高低温冷热冲击试验 High and low temperature thermal shock test	70℃持续 2H、 -40℃持续 2H, 6次循环, 共 24 小时; 70℃ for 2H, -40℃ for 2H, 6 cycles, 24 hours in total;	试验前后外观要求: 金属表面镀层应无剥落, 裂痕起皱, 分离等。非金属部分不应变色, 发生开裂, 变形, 脱胶等不良; 电气性能测试符合标准要求; Appearance requirements before and after the test: The metal surface coating should be free of peeling, cracks, wrinkles, separation, etc. The non-metallic parts should not change color, crack, deform, degumming or other defects. Electrical performance testing meets standard requirements.

3	<p>盐雾试验 Salt spray test</p>	<p>配制浓度 (5±1) %NaCL 溶液, 确保盐溶液的 pH 值为中性 (6.5~7.2); 压力桶温度 47±1°C, 喷雾压力保持在 1.00±0.1kgf/cm², 喷雾量 1.0~2.0ml;/80cm²/h; 试验时间 24H; Prepare a concentration (5±1)% NaCL solution to ensure that the pH value of the salt solution is neutral (6.5~7.2); The temperature of the pressure barrel is 47±1°C, the spray pressure is maintained at 1.00±0.1kgf/cm², and the spray volume is 1.0~2.0ml;/80cm²/h; Test time: 24H;</p>	<p>产品表面外露区域不可有氧化、锈蚀现象; 其它区域盐雾试验后的氧化/生锈面积 < 1.0% There should be no oxidation or rust on the exposed areas of the product surface; Oxidation/rust area after salt spray test in other areas < 1.0%</p>
4	<p>端子维持力试验 Connector retention test</p>	<p>常温常湿; 试验维持力要求: ≥1.0 kgf; Normal temperature and humidity; Test maintenance requirements: ≥1.0 kgf;</p>	<p>端子与线缆无脱落、松动等; 测试后电气性能测试符合标准要求; There are no loose or loose terminals or cables. After the test, the electrical performance test meets the standard requirements.</p>
5	<p>端子插拔力试验 Connector insertion and extraction force test</p>	<p>常温常湿; 端子与座子正常连接, 插入力/拔出力 ≥1.0 kgf; Normal temperature and humidity; The terminal and the seat are connected normally, and the insertion force/pull-out force is ≥1.0kgf;</p>	<p>端子与线缆无脱落、松动等; 测试后电气性能测试符合标准要求; The terminal insertion force/extraction force meets the requirements, and the terminals have no defects such as falling off or damage.</p>