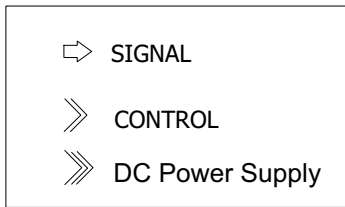
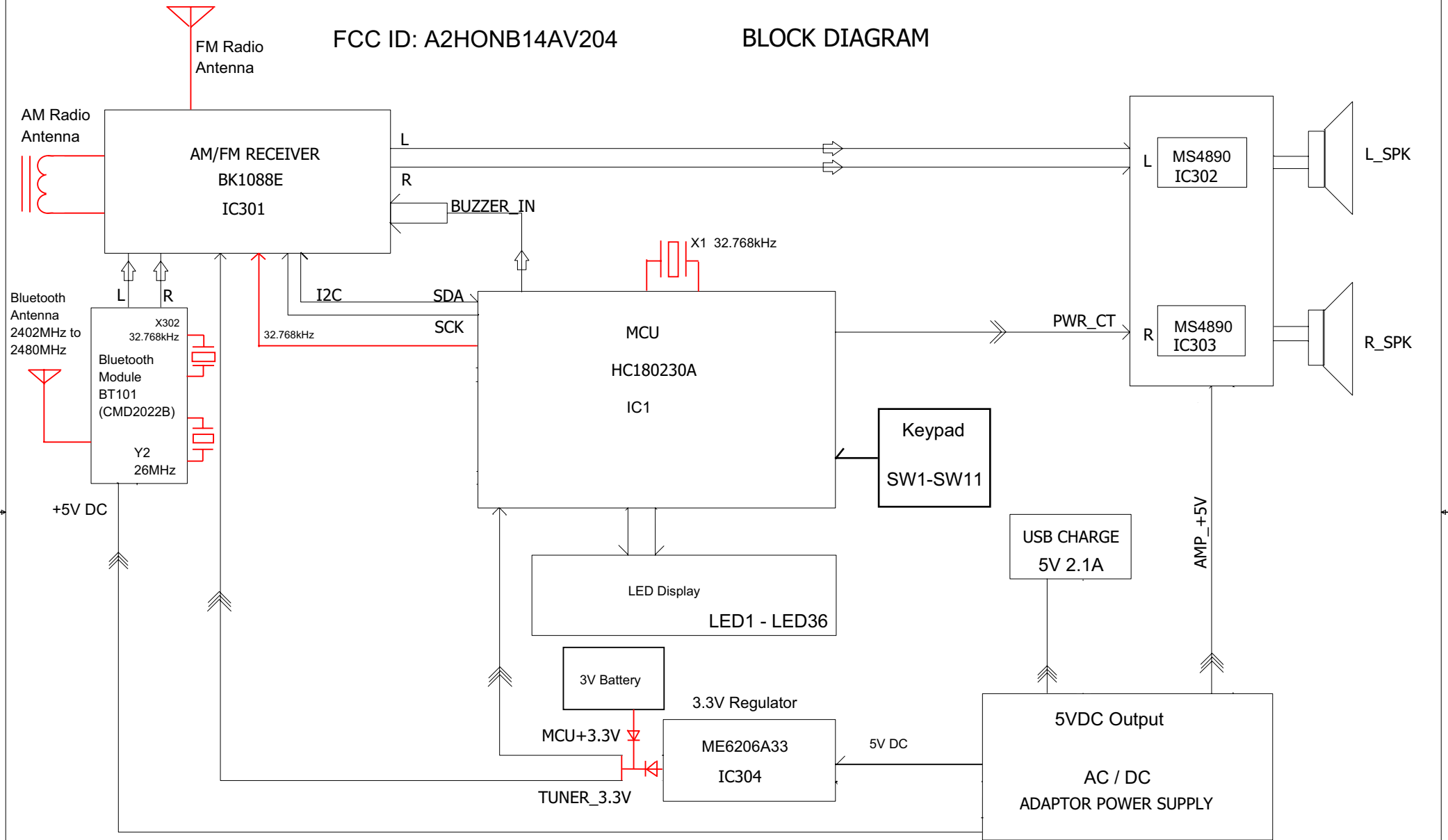


FCC ID: A2HONB14AV204

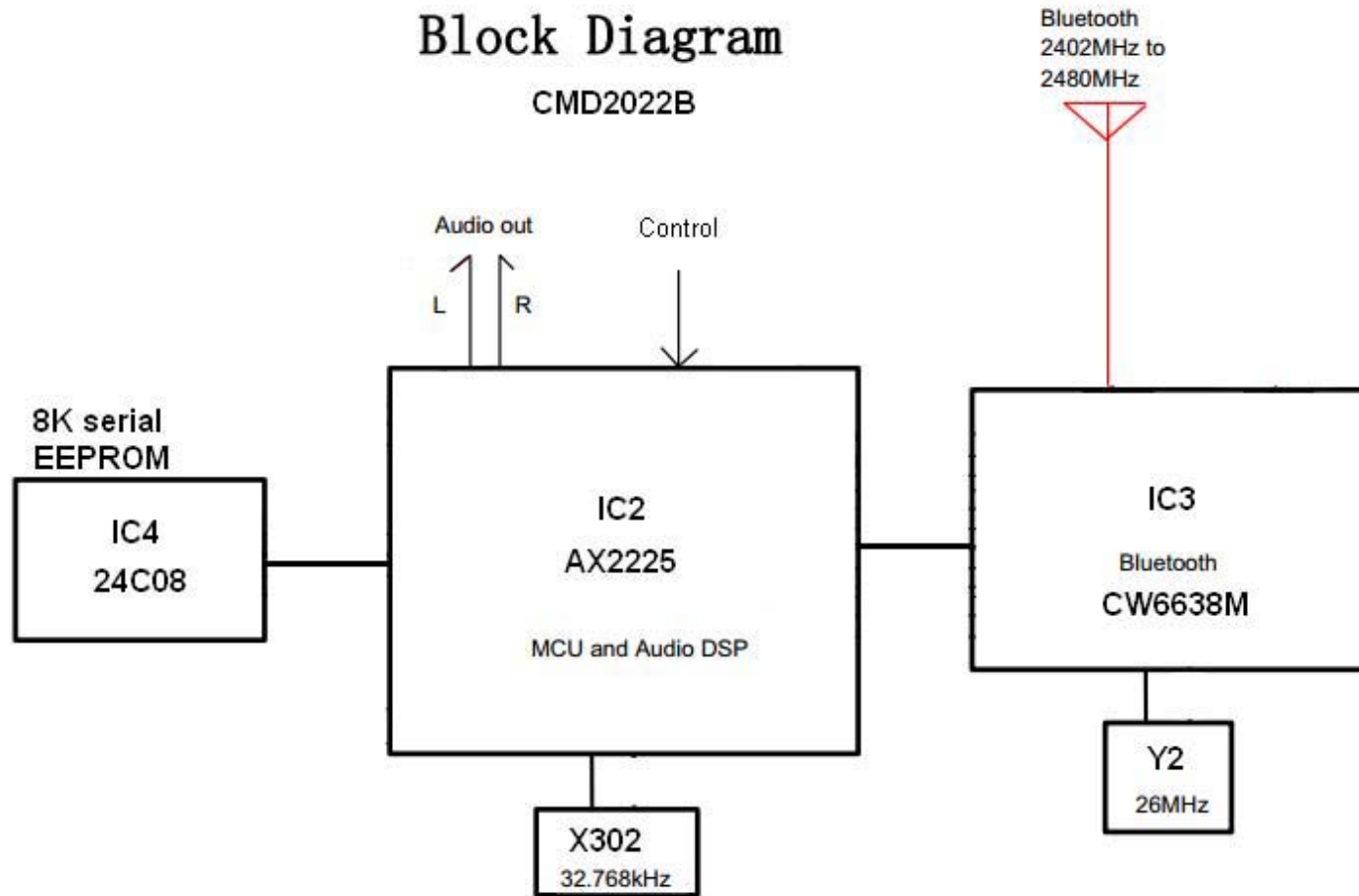
BLOCK DIAGRAM



		COMPANY: ALCO Electronics Limited		
DRAWN:	DATE:	MO DEL:		REV:
CHECKED:	DATE:	TITLE: BLOCK DIAGRAM		REV:
APPROVED:	DATE:	SIZE: C	LAST SAVED DATE: 2014-7-14	SHEET: 1 of 2

Block Diagram

CMD2022B



CW6638M Block Diagram

