

6

5

4

3

2

1

P0-->P1:

D

1.ADD C21, R13,R14

20120301

1.L107=22nH,C121=C124=3.9pF,L106=15nH,C185=5.6nH,C184=22pF,L131=6.8nH

2.DNP:C9=C10=C11=33pF,C8=1uF,J103=CAF99-06153-1503

D

C

C

B

B

A

A

6

5

4

3

2

1

COMPANY: <b>Telacom</b>			
TITLE: <b>GSM</b>			
DRAWING NO: <b>K2776</b>			REV: <b>P0</b>
SCALE: 1:1	SIZE: A2	SHEET: 1 OF 8	DATE: 2012-1-10

Note : Use RX Co-banding  
 GSM850 = 3G B5  
 GSM900 = 3G B8  
 GSM1900 = 3G B2

### GSM

SFRM81DY102

Note : Reserve for debug

Note : Reserve for debug

26MHz

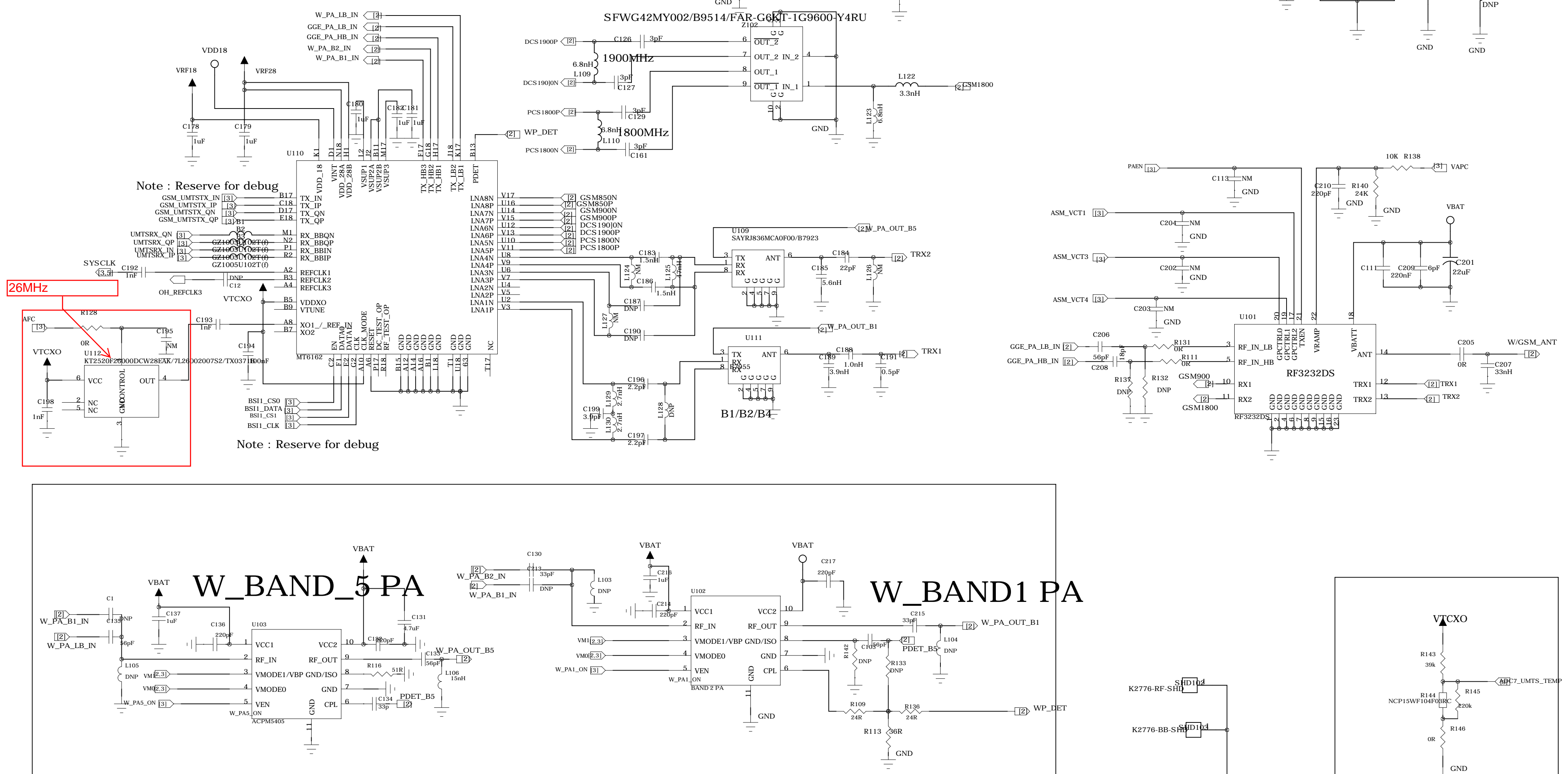
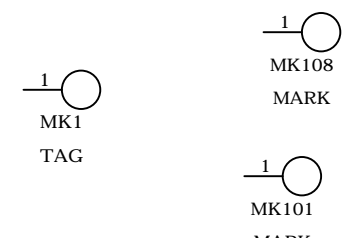
COMPANY: **Telacom**

TITLE: **GSM**

DRAWING NO: **K2776**

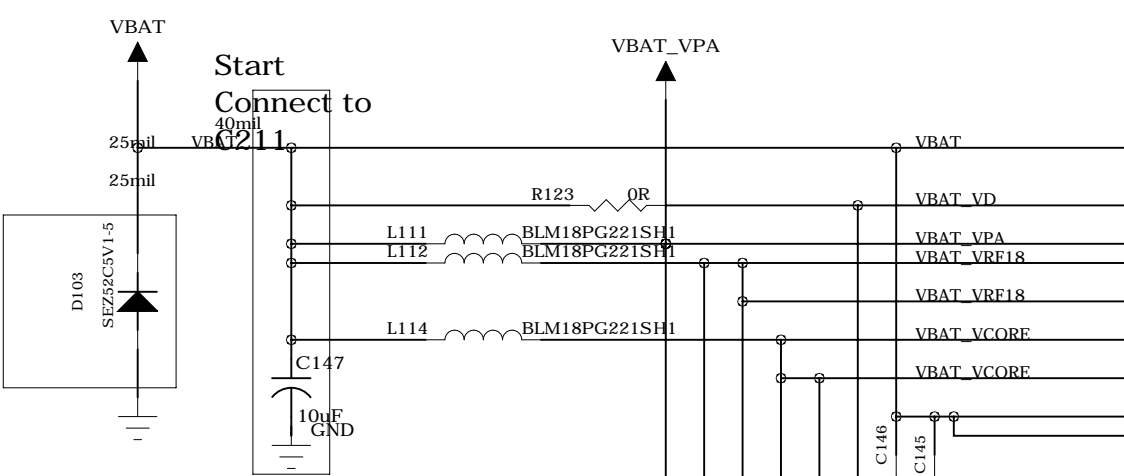
REV: **P0**

SCALE: 1:1 SIZE: A2 SHEET: 2 OF 8 DATE: 2012-1-10





L201/L202/L207, C205/C207/C208 should near IC (< 10mm)

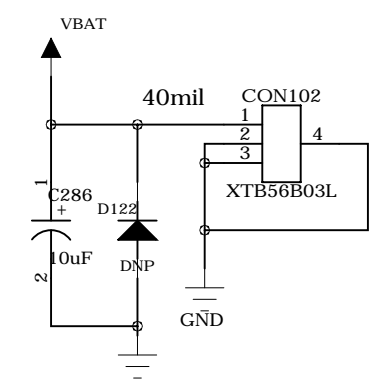


Keep at least 1 VIA1-2 each ball

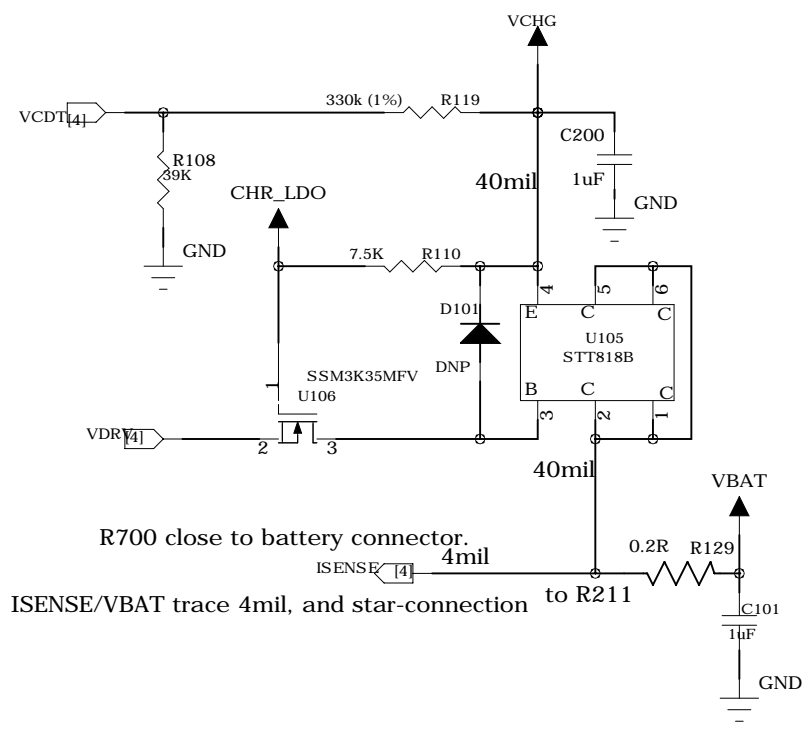
Close to IC

### Battery interface

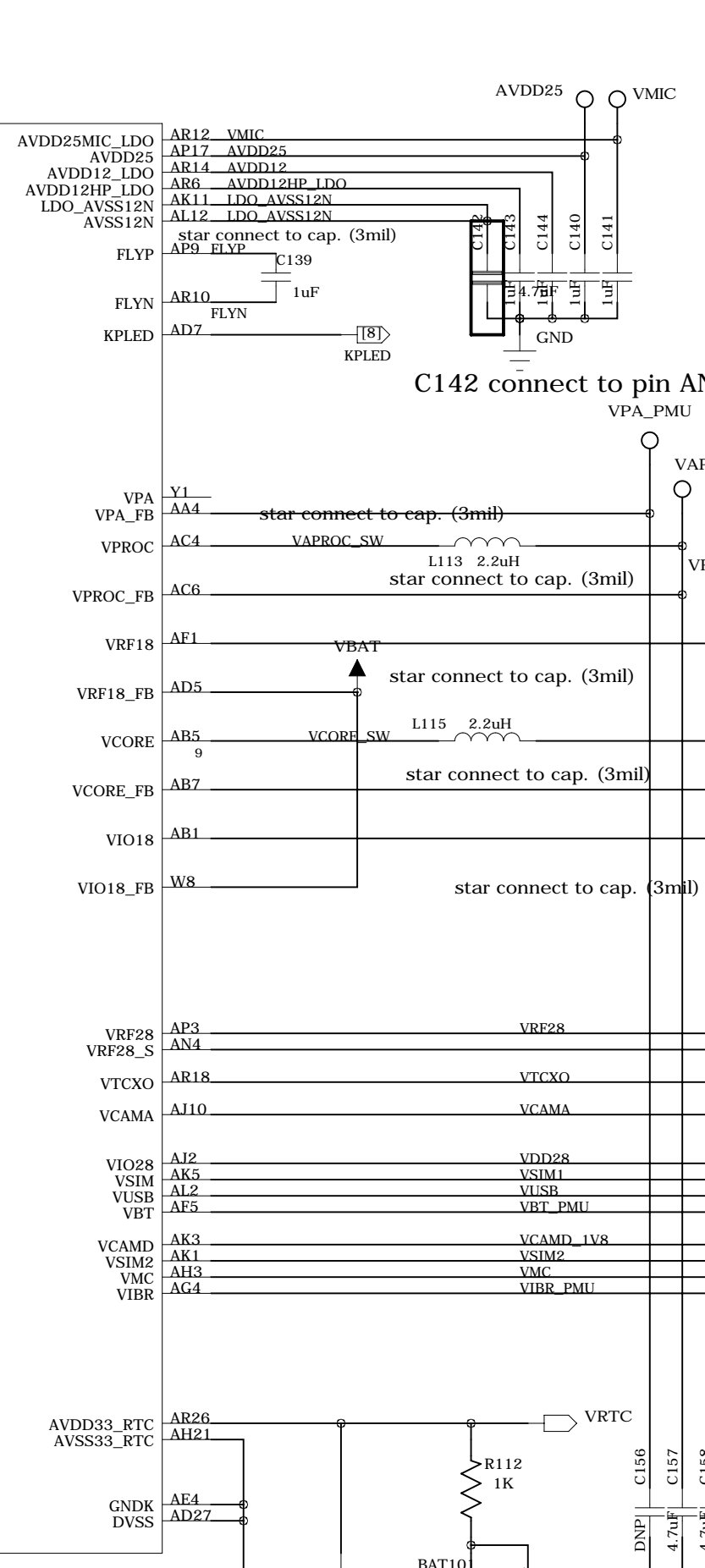
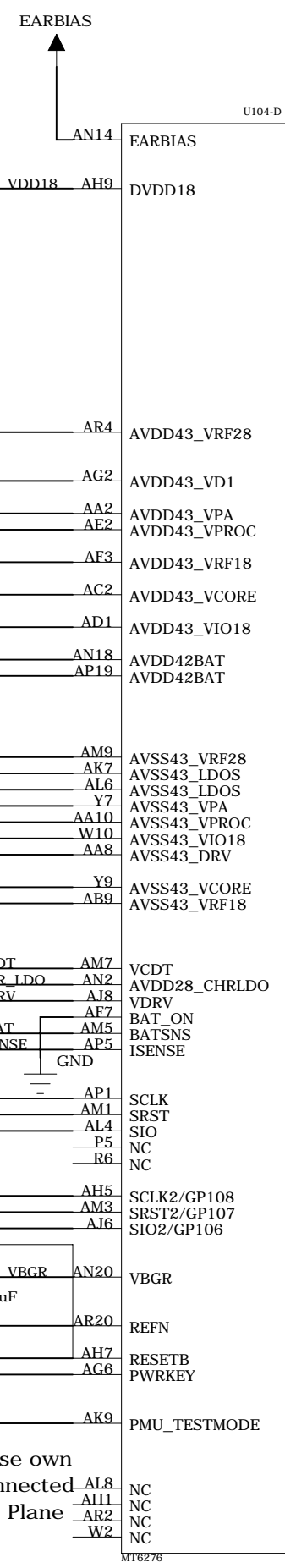
©n%a³nIC. (< 5mm)



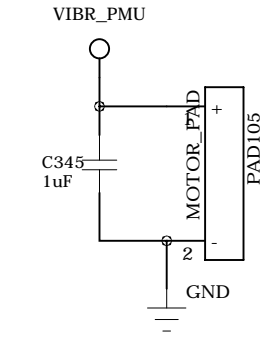
REFN use own VIA connected to GND Plane



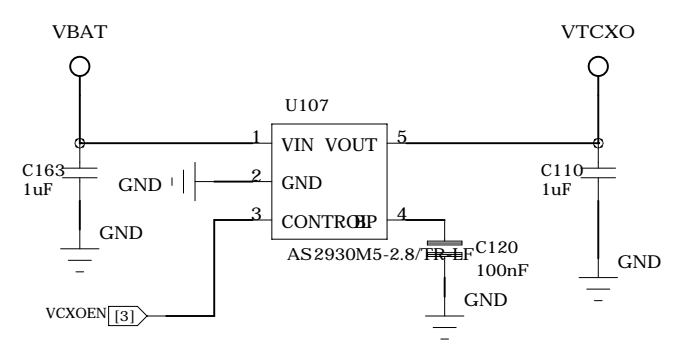
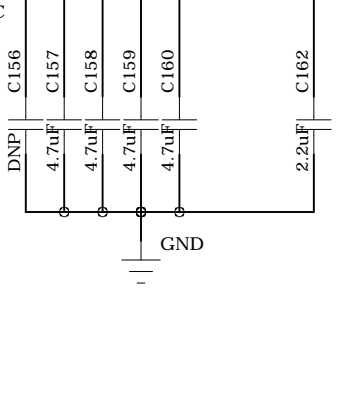
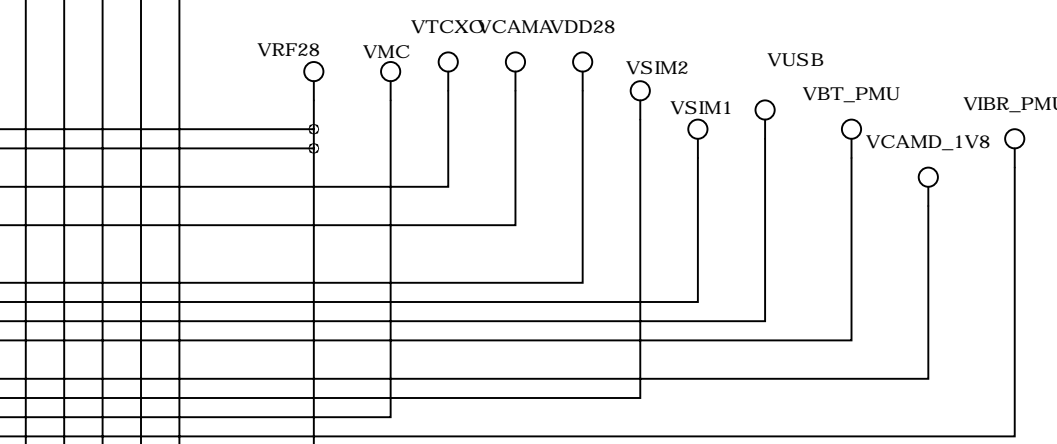
R700 close to battery connector, ISENSE/VBAT trace 4mil, and star-connection to R211



### Vibrator



C142 connect to pin AN10, and then via to GND



COMPANY: <b>Telacom</b>	
TITLE: <b>GSM</b>	
DRAWING NO: <b>K2776</b>	REV: <b>P0</b>
SCALE: 1:1	SIZE: A2
SHEET: 4 OF 8	DATE: 2012-1-10

D

D

C

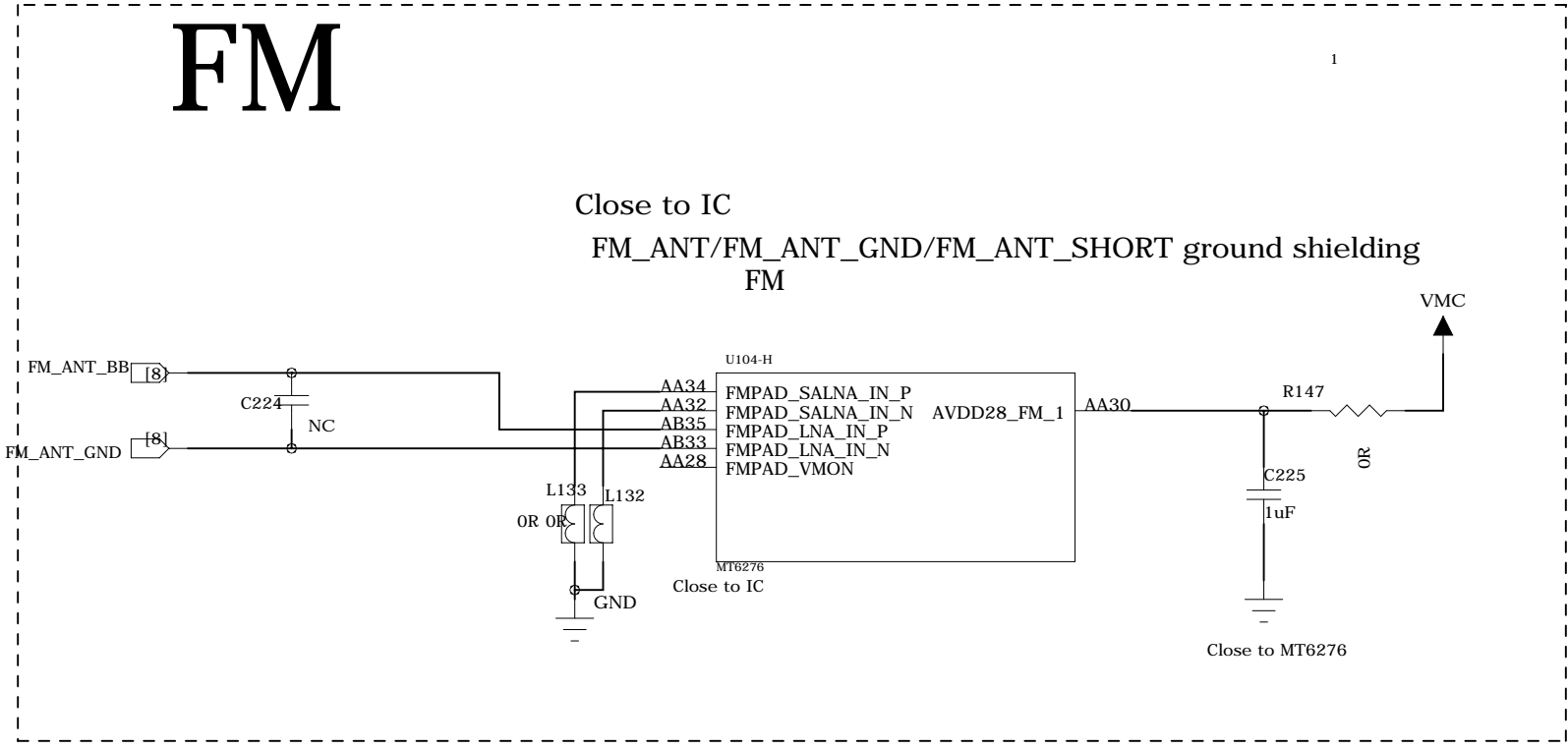
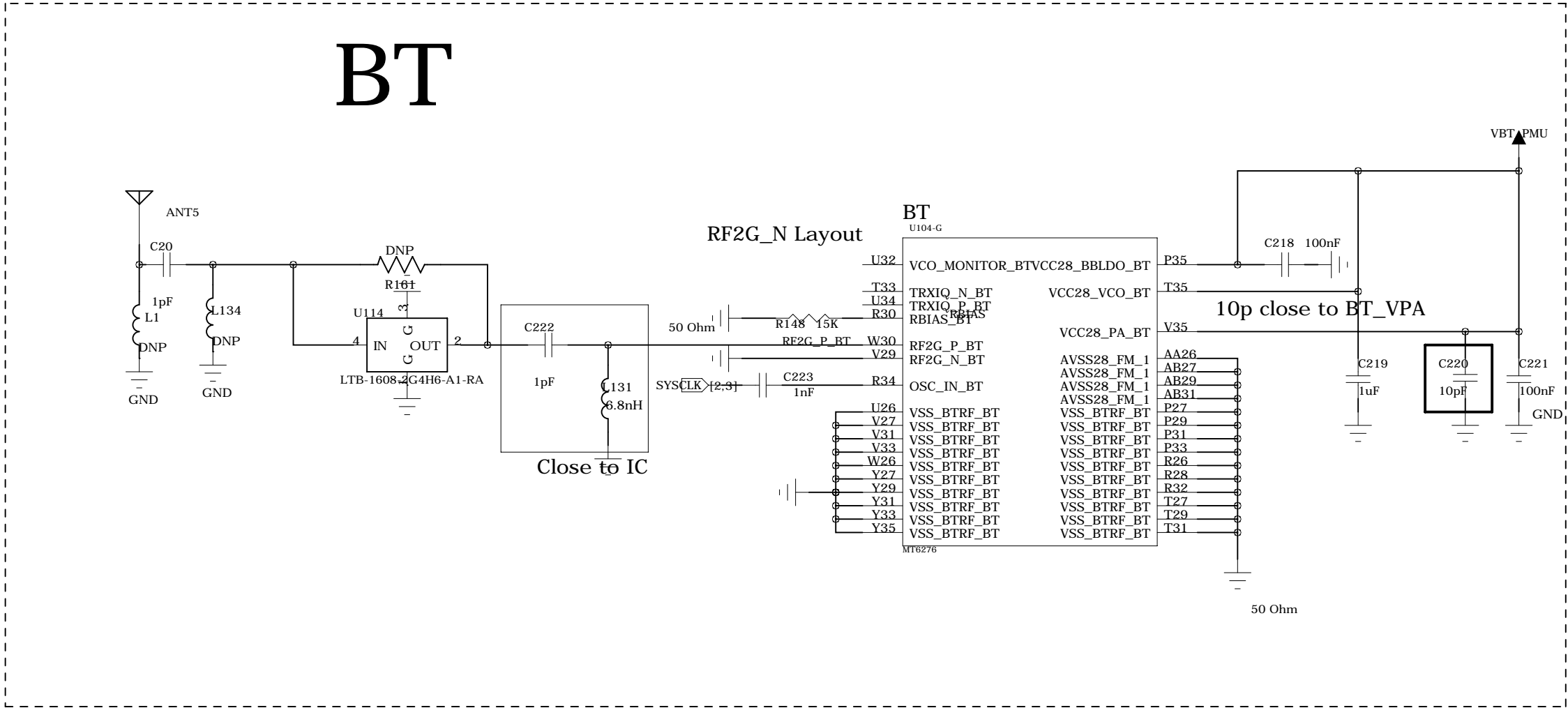
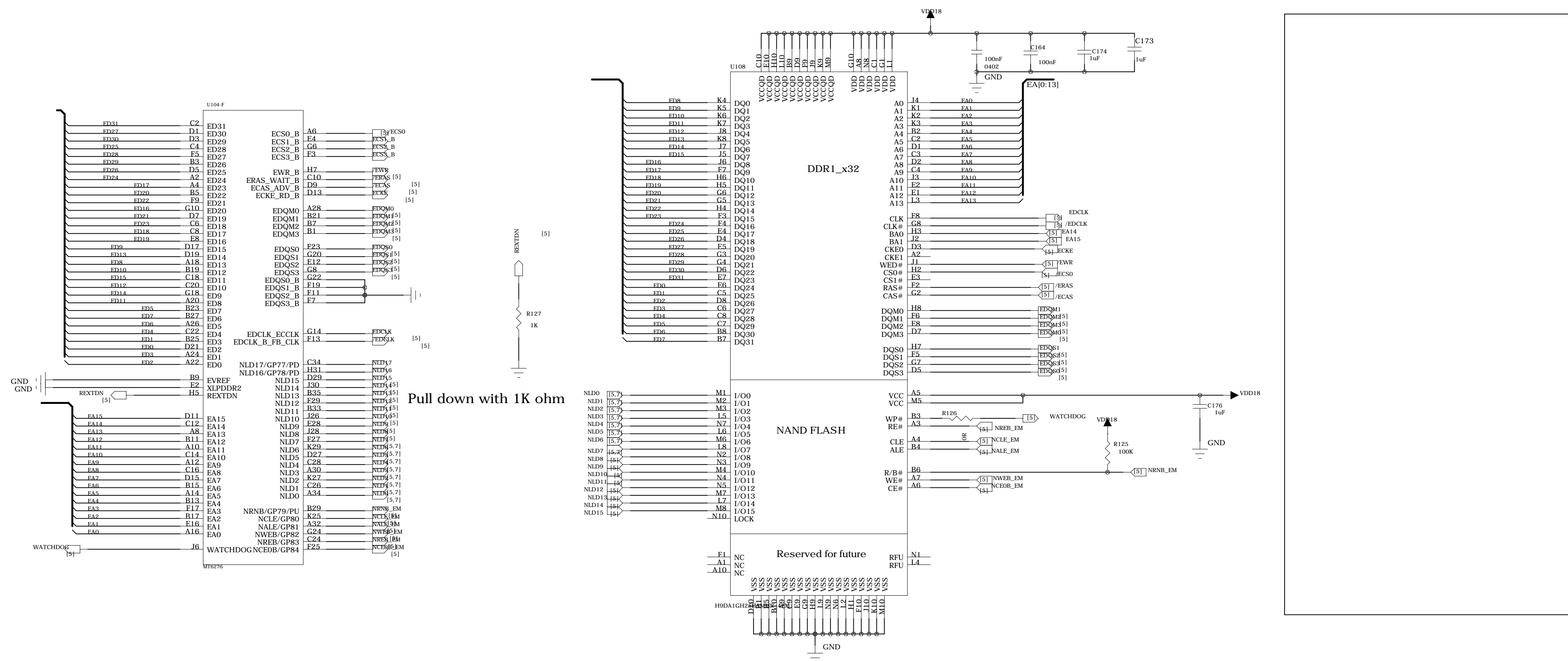
C

B

B

A

A



COMPANY: <b>Telacom</b>	
TITLE: <b>GSM</b>	
DRAWING NO: <b>K2776</b>	REV: <b>P0</b>
SCALE: 1:1	SIZE: A2
SHEET: 5 OF 8	DATE: 2012-1-10

6

5

4

3

2

1

D

D

C

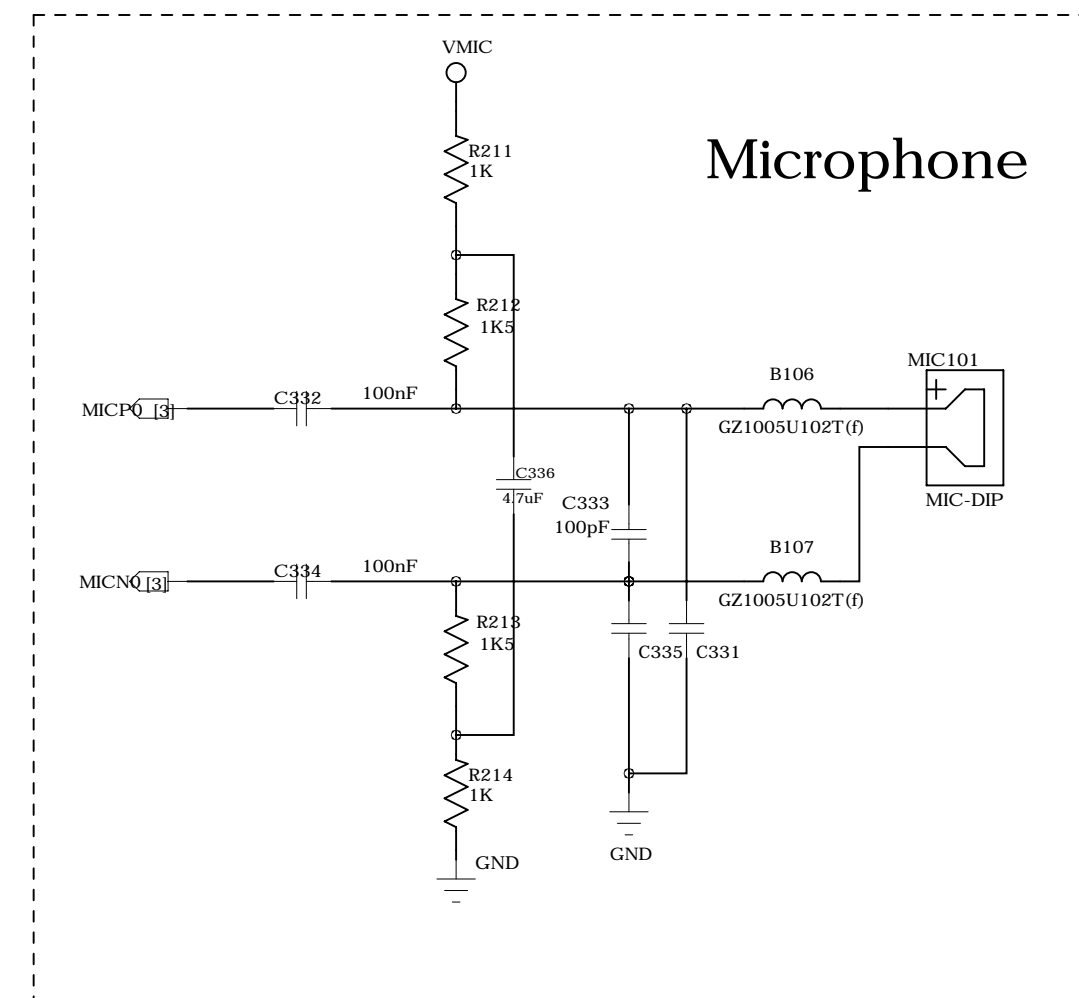
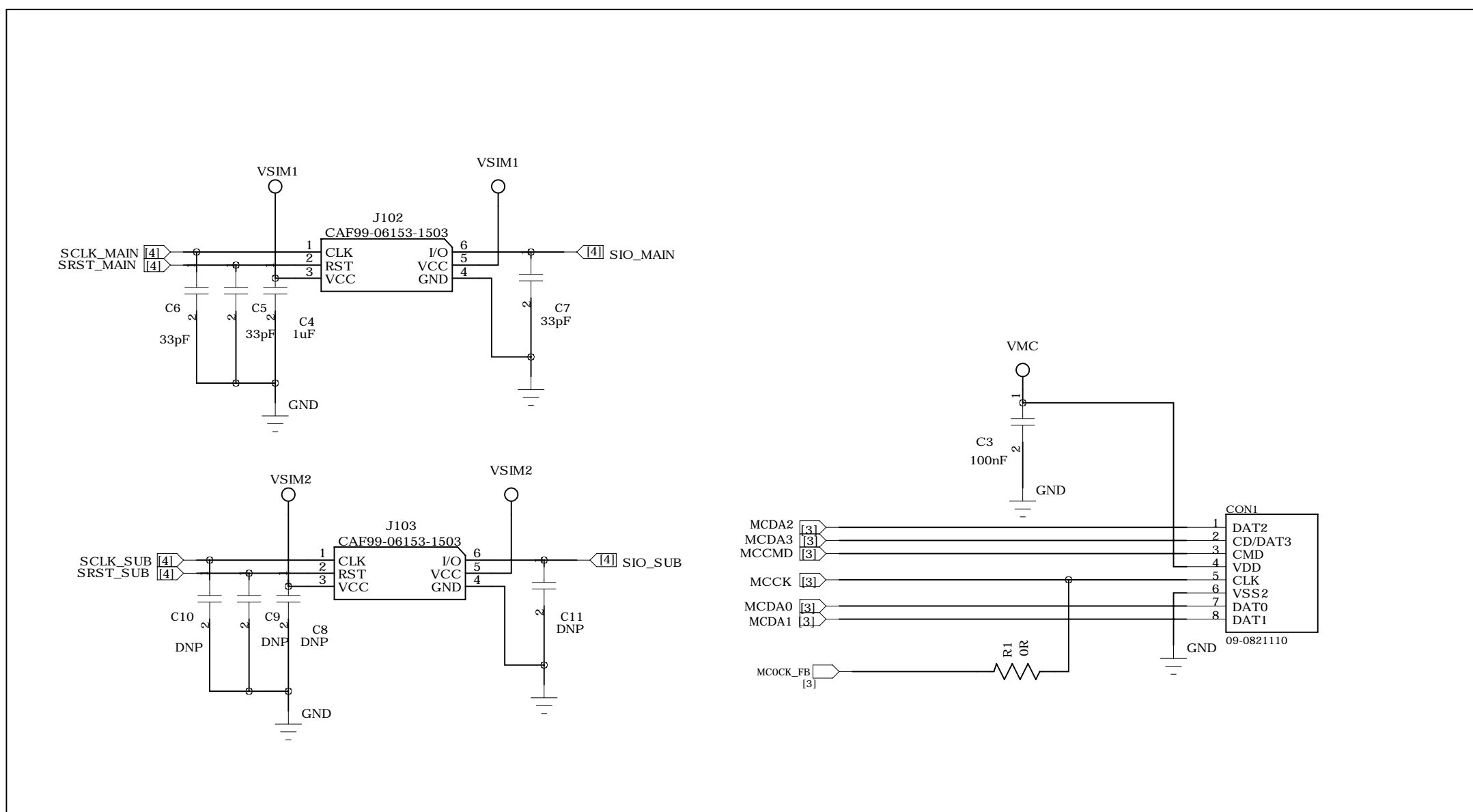
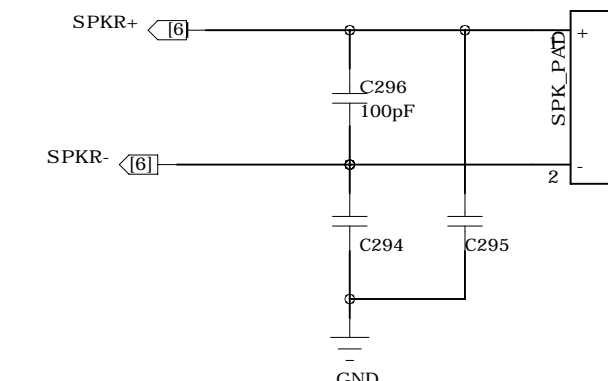
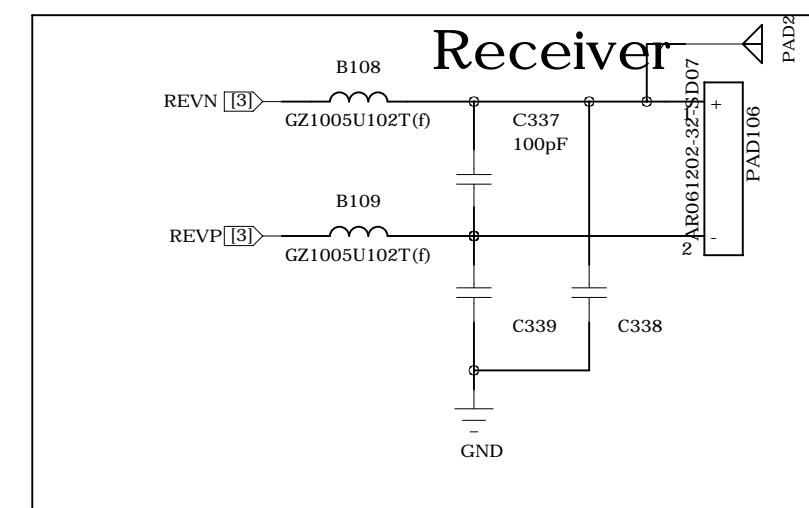
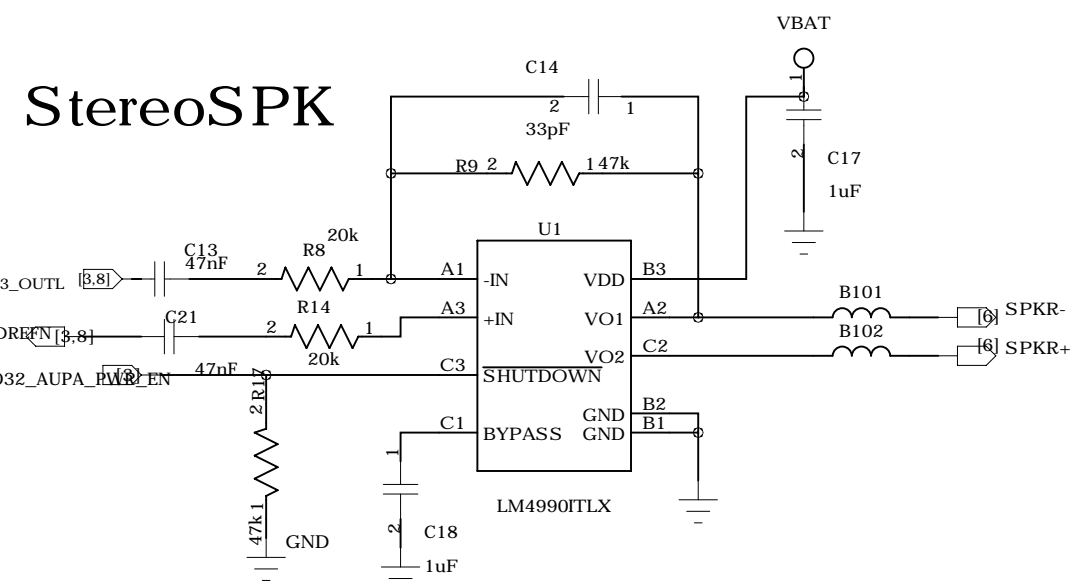
C

B

B

A

A



COMPANY: <b>Telacom</b>			
TITLE: <b>GSM</b>			
DRAWING NO: <b>K2776</b>		REV: <b>P0</b>	
SCALE: 1:1	SIZE: A2	SHEET: 6 OF 8	DATE: 2012-1-10

6

5

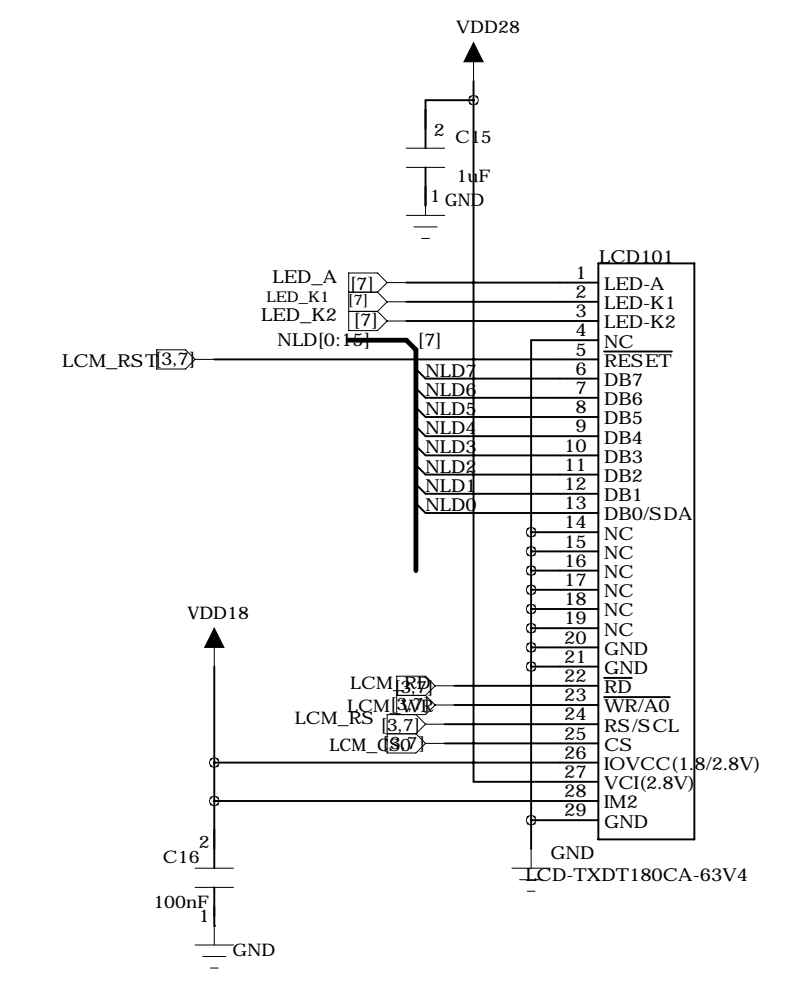
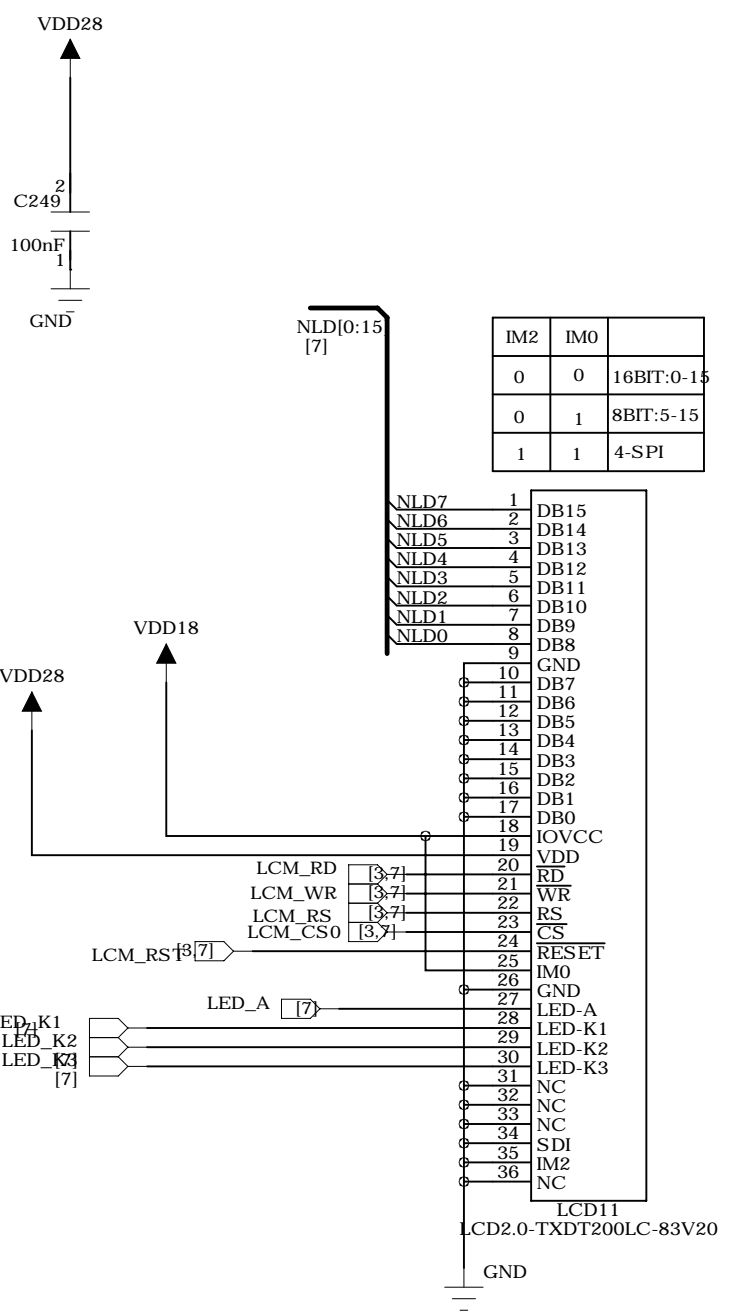
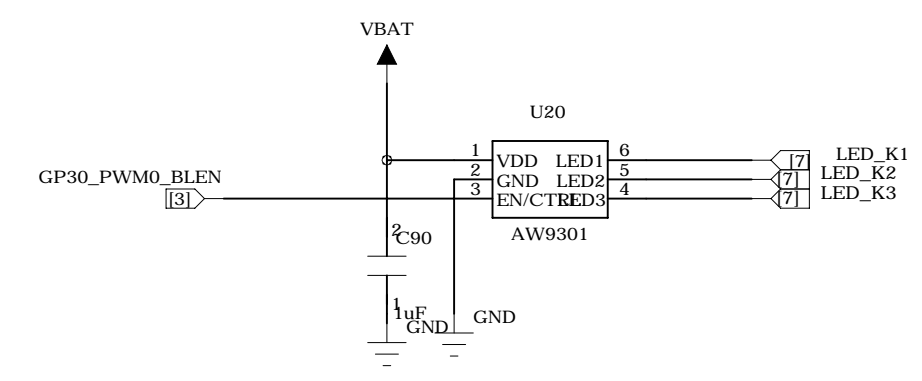
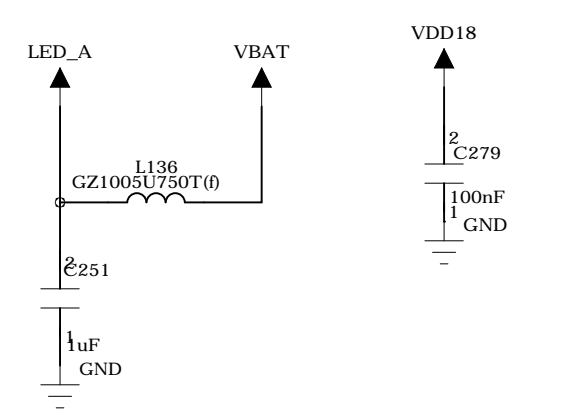
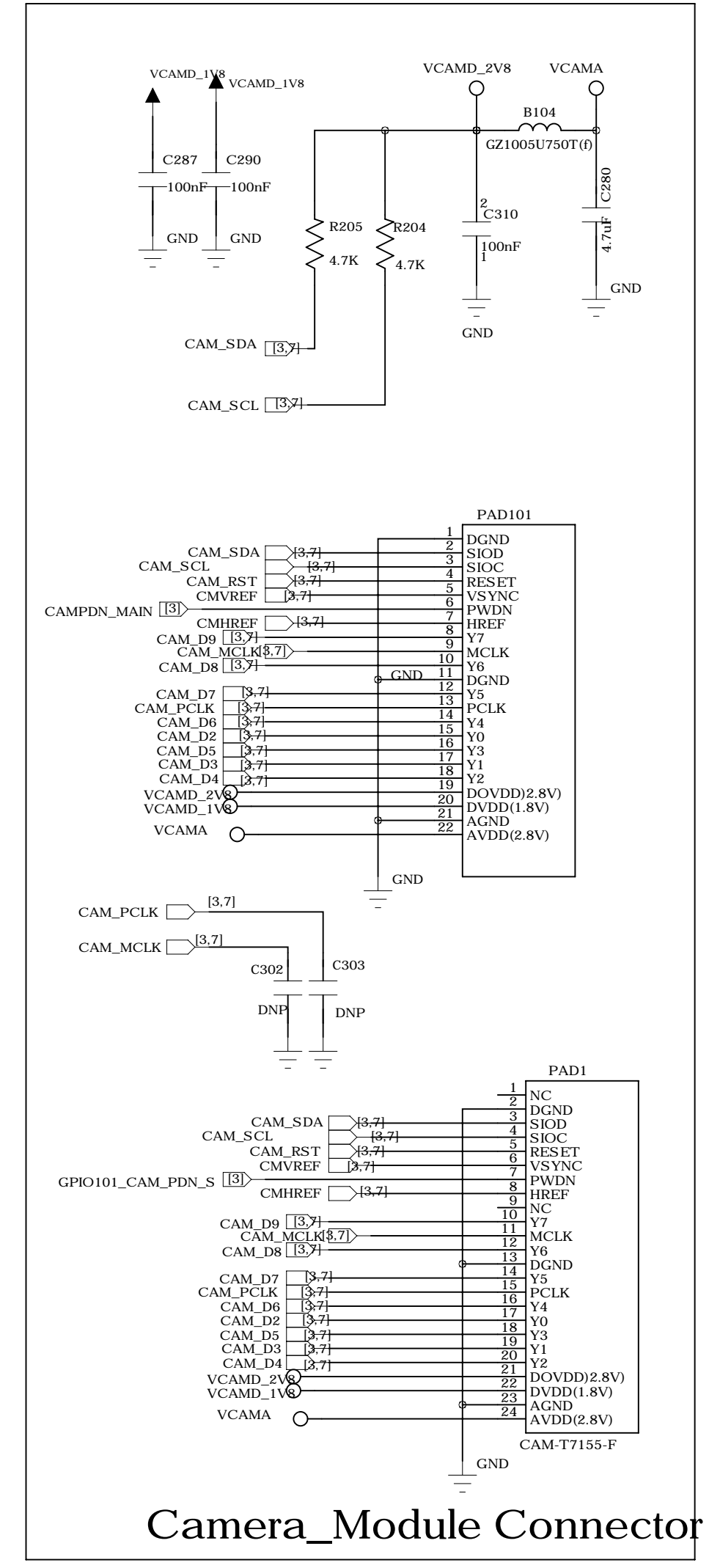
4

3

2

1

# Camera\_Module Connector



# Camera\_Module Connector

COMPANY:	Telacom		
TITLE:	GSM		
DRAWING NO:	K2776	REV:	P0
SCALE: 1:1	SIZE: A2	SHEET: 7 OF 8	DATE: 2012-1-10

D

D

C

C

B

B

A

A

6

5

4

3

2

1

D

D

C

C

B

B

A

A

6

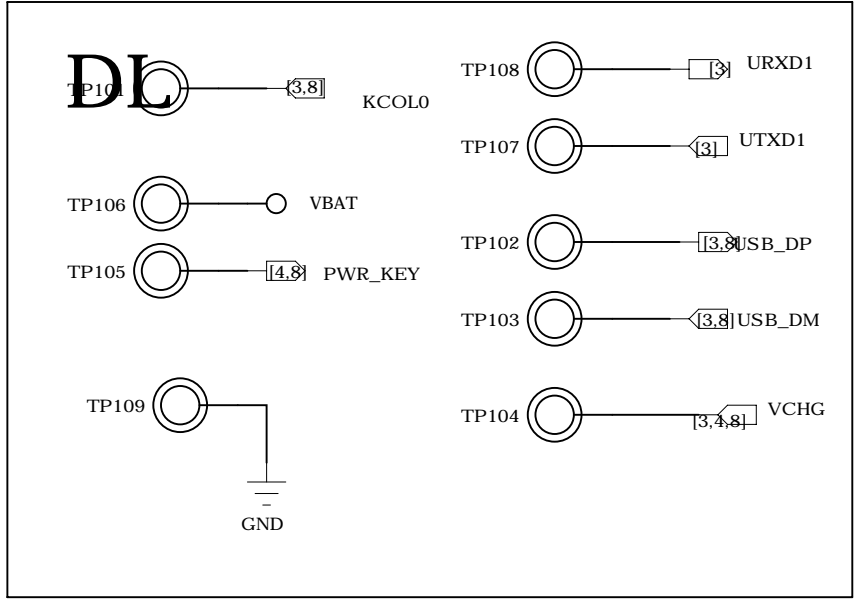
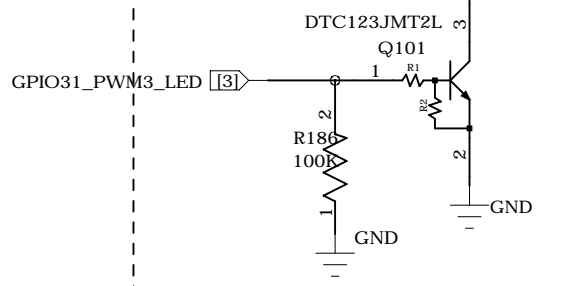
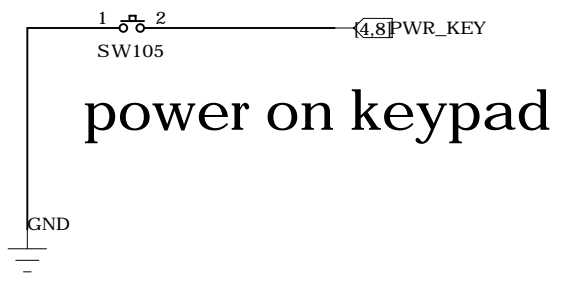
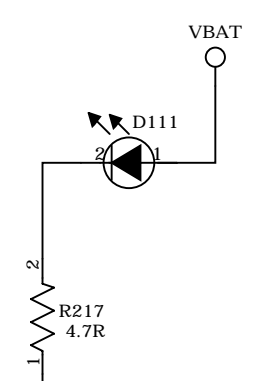
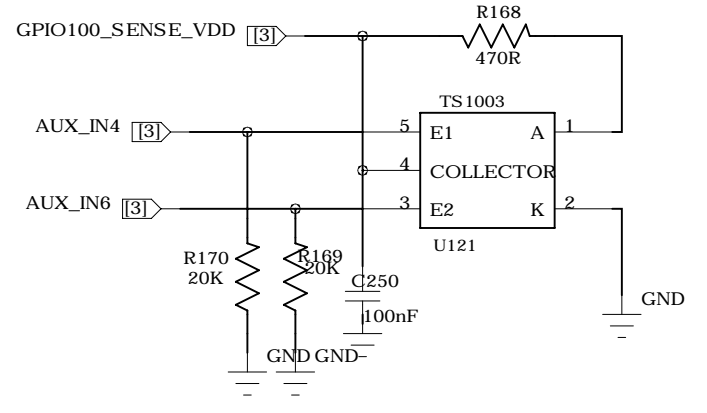
5

4

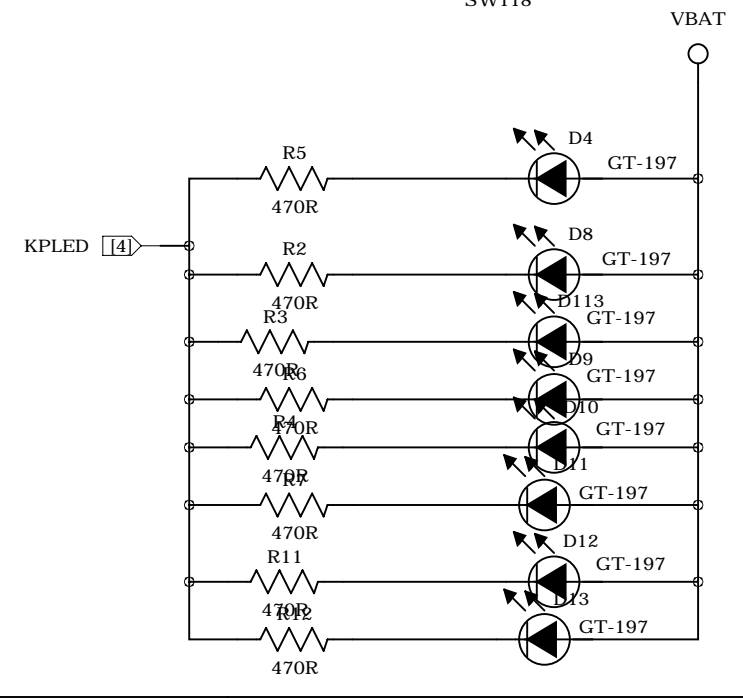
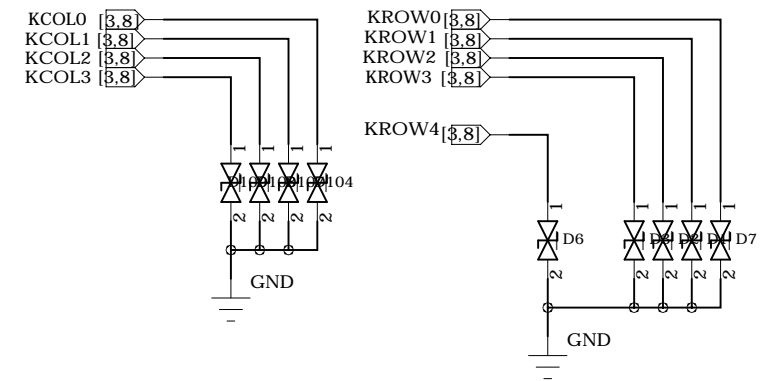
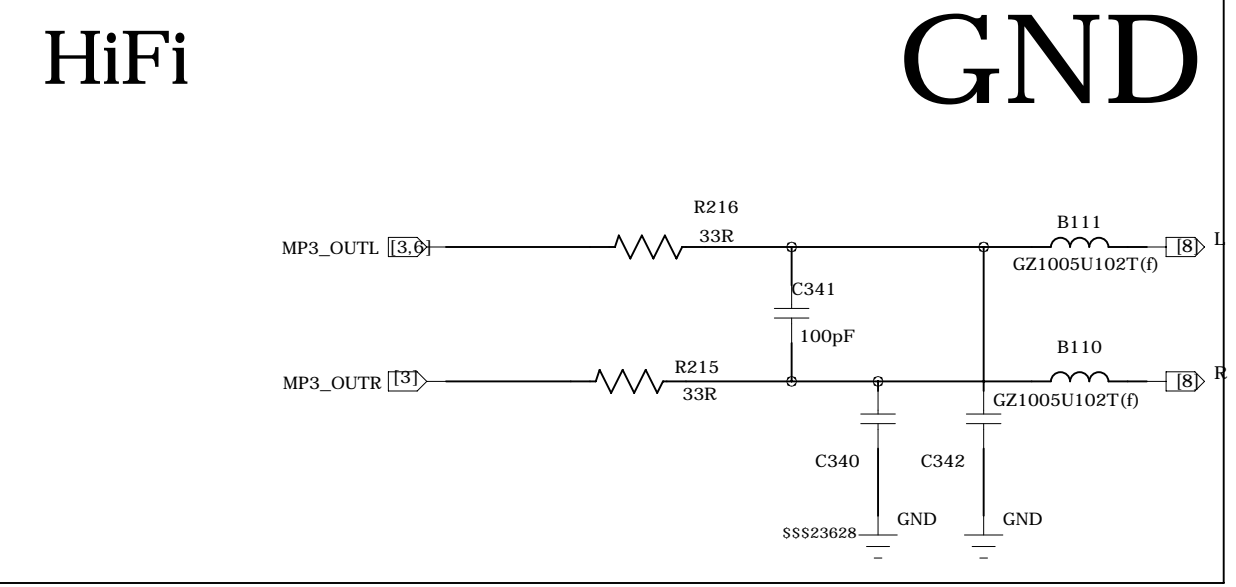
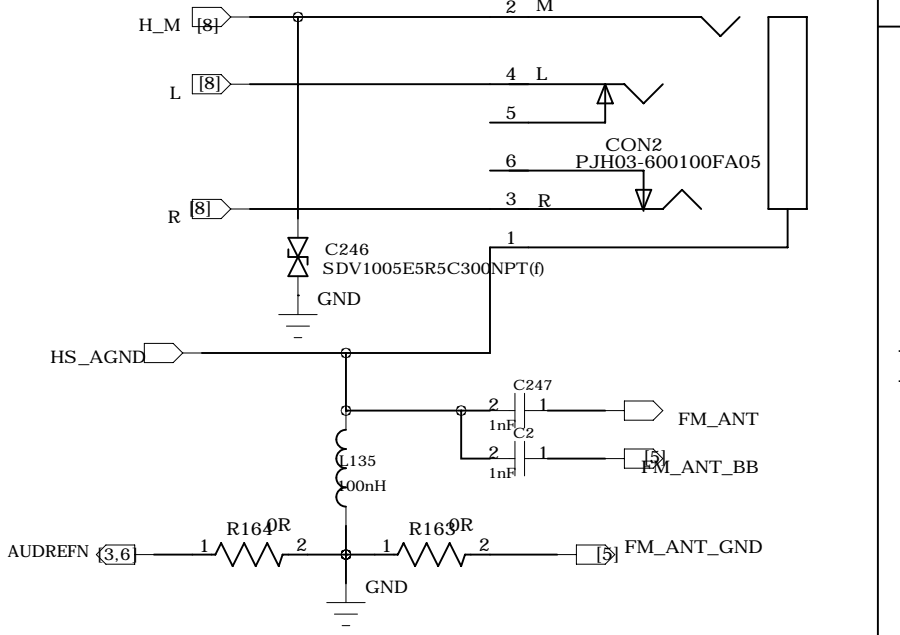
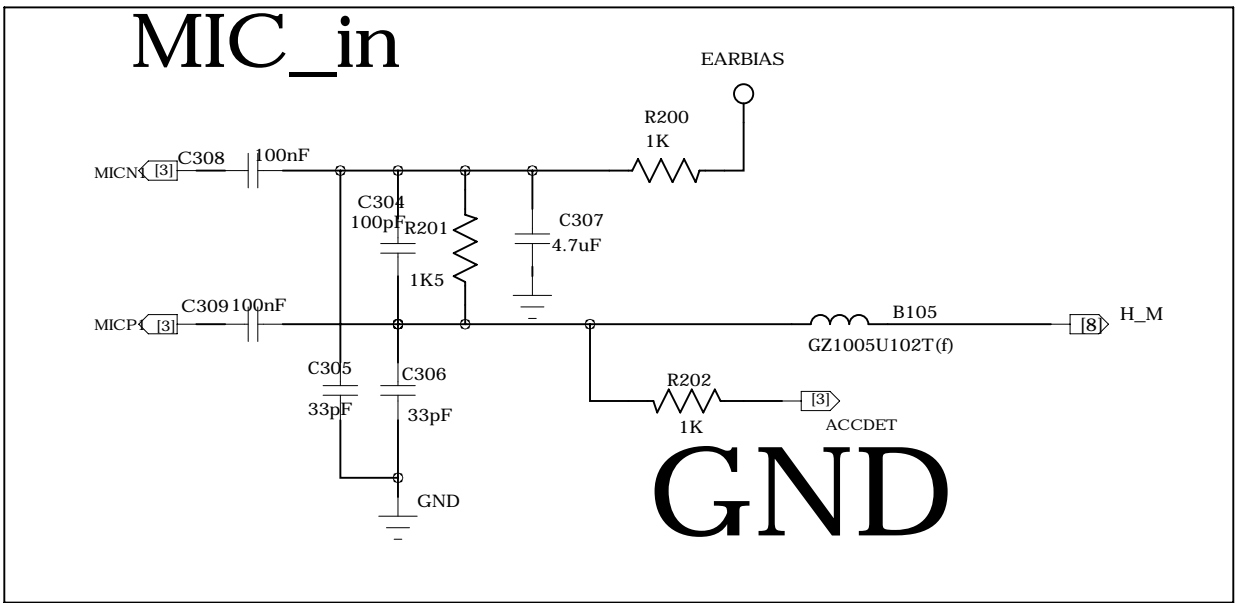
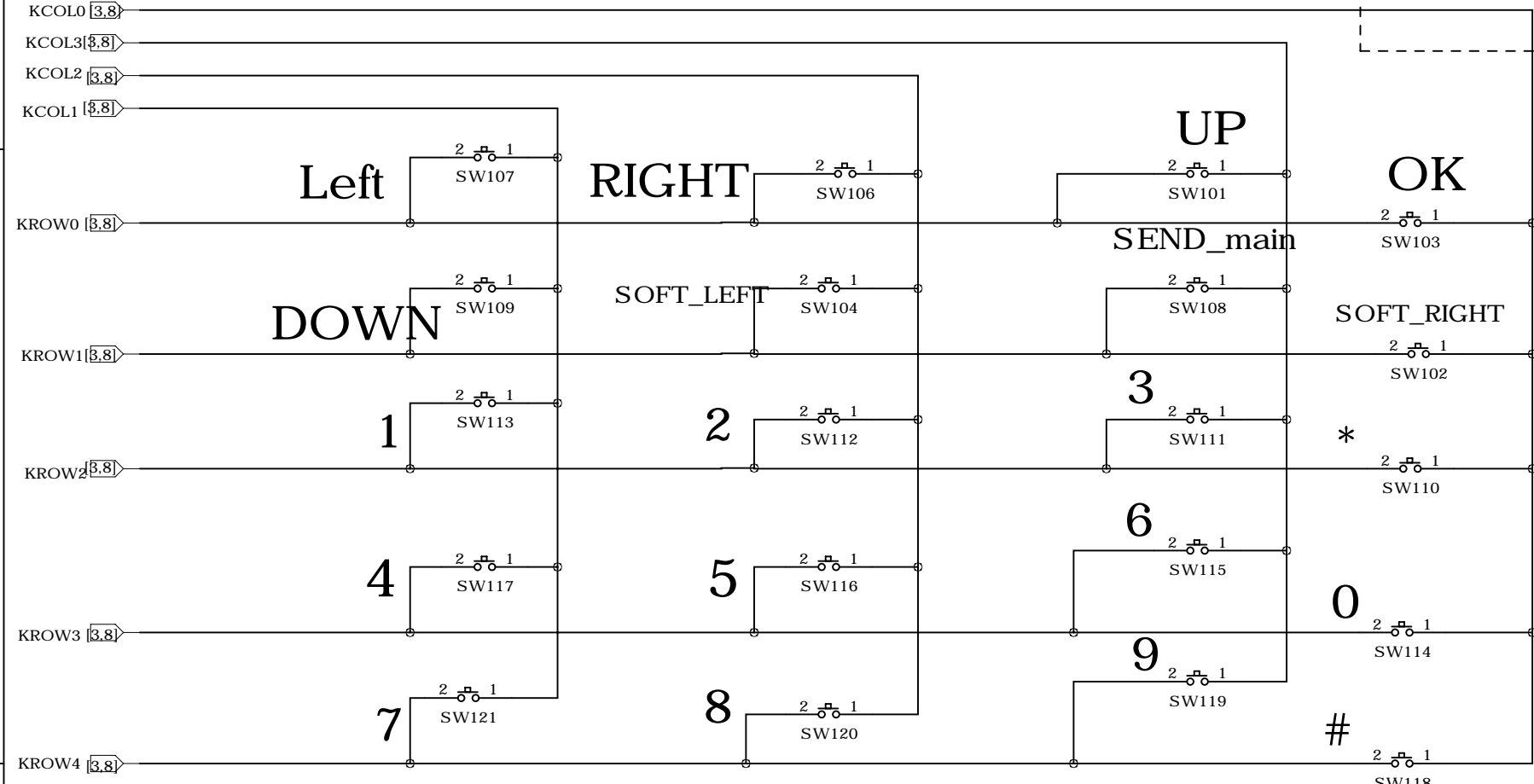
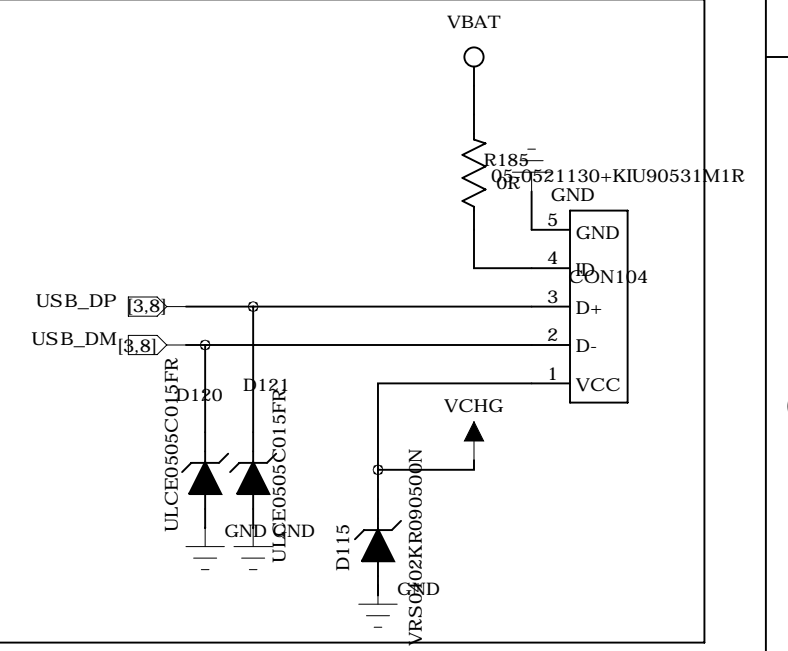
3

2

1



### IO interface



COMPANY: <b>Telacom</b>			
TITLE: <b>GSM</b>			
DRAWING NO: <b>K2776</b>		REV: <b>P0</b>	
SCALE: 1:1	SIZE: A2	SHEET: 8 OF 8	DATE: 2012-1-10