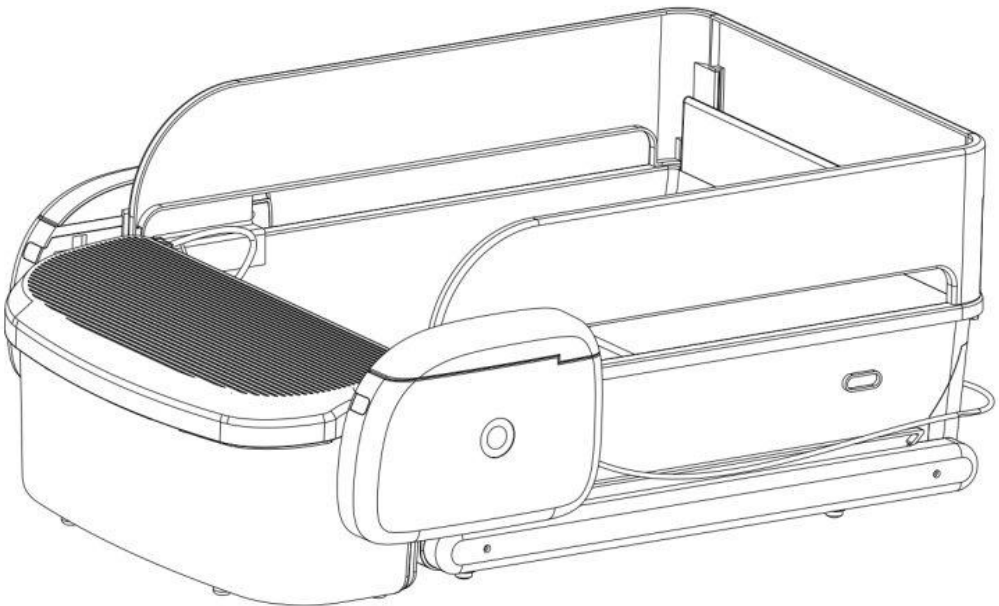


Self-Cleaning Open-Style Smart Cat Litter Box User's Manual



Model : BP01

Please read this manual thoroughly before using the product.

Catalogs

Part I : Safety Tips	/ 02
Part II : Packing List	/ 03
Part III: Product Introduction	/ 04
Part IV : Assembly Instructions	/ 05
Part V : First-time Use	/ 06
5.1 Furnishing Considerations / 06	
5.2 Machine and App Connection / 06	
5.3 App Operation and Settings / 06	
5.4 Installation of Garbage Bags / 07	
5.5 Litter Placement Precautions / 07	
5.6 Description of Operational Exceptions / 07	
Part VI : Functional Analysis	/ 08
6.1 Working Principle / 08	
6.2 Safety Check / 08	
6.3 Odor Elimination Measures / 08	
Part VII: Operation Keys and Indicators	/ 09
Part VIII: Clean-up and Maintenance	/ 10
Part IX: Liquidation Considerations	/ 10
Part X: Product Specifications	/ 11
Part XI: Q&A and Troubleshooting	/ 12
Part XII: Environmental Checklist	/ 13
Part XIII: Warranty Services	/ 13

Security Tips



Please read the user manual carefully before using the product and keep it in a safe place.



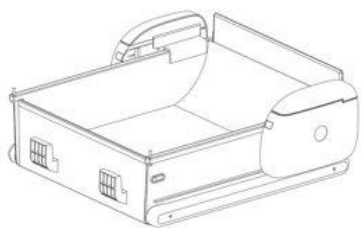
Important Safety Instructions

Before using this equipment, observe the following rules and instructions:

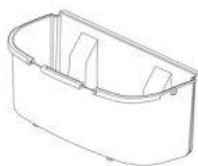
- If your pet weighs less than 1.5Kg, or is less than 6 months old, or if your cat is slow to move and has low reflexes, please be sure to set the product to “Manual Cleaning” mode, and do not use the “Auto Cleaning” and “Remote Cleaning” functions in the app. Do not use the “Auto Clean” or “Remote Clean” function in the app. In the above cases, when using the “Manual Cleaning” mode, please monitor the entire cleaning process to prevent the cat from entering the bowl!
- This product should not be operated by children under 8 years of age. Children should not clean or maintain this product without adult supervision!
- This product should only be operated in accordance with the guidelines in this manual; do not perform maintenance operations outside of these instructions.
- Do not allow children, persons with reduced sensory or mental capabilities, or inexperienced persons to use, clean, or maintain this product without supervision, without reading the instructions for safe use, and without understanding the hazards involved.
- Always place the product on a sturdy, level surface. If the litter box is used in conjunction with a litter control mat, do not place the four support feet on the bottom of the unit on the mat.
- When the litter scoop is installed, do not use external force to rotate or move the litter scoop as this may damage the product!
- Please upgrade the product to the latest version via the App before putting it into actual use.
- Do not wet or submerge the drive module and bite-proof connecting wires on either side of the basin.
- Be sure to keep the drive box on both sides of the product at a distance of 5CM or more from walls or other obstacles.
- Do not use any other external power source. If the external power adapter is damaged, contact us for a replacement. ◦
- Excessive amounts of cat litter or extra long strips of cat litter will increase resistance during cleanup and may damage the product.
- Be sure to unplug the power supply before disassembling and cleaning, only the silicone mat, litter scoop and litter box can be cleaned, after cleaning, be sure to control the water and then use.
- Do not disassemble, remodel, or repair this product privately, or you will lose all warranty and service rights.

Packing List

After opening the package, please make sure the equipment is intact, and make sure the accessories are complete against the following picture.



Intelligent Litter Box Body×1



Trash Can×1



Trashcan Lid×1



Right Guard×1



Left Guard×1



Intermediate Guards×1



Litter Box×1



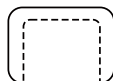
Garbage Bag×1



Aromatherapy Cover×1



Power Adapter×1



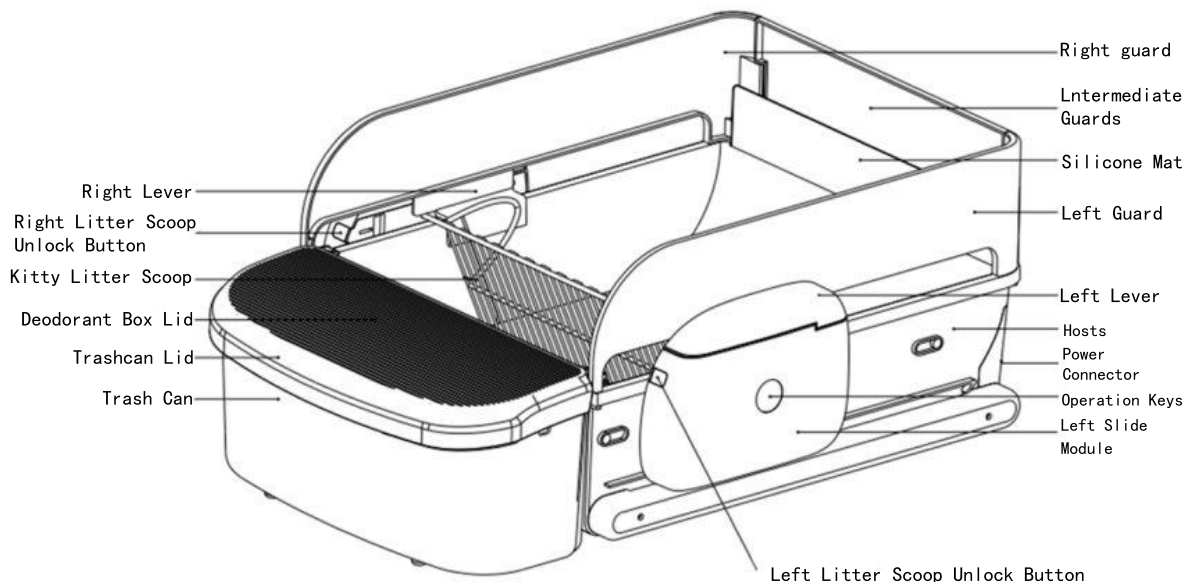
Deodorant Pack×1



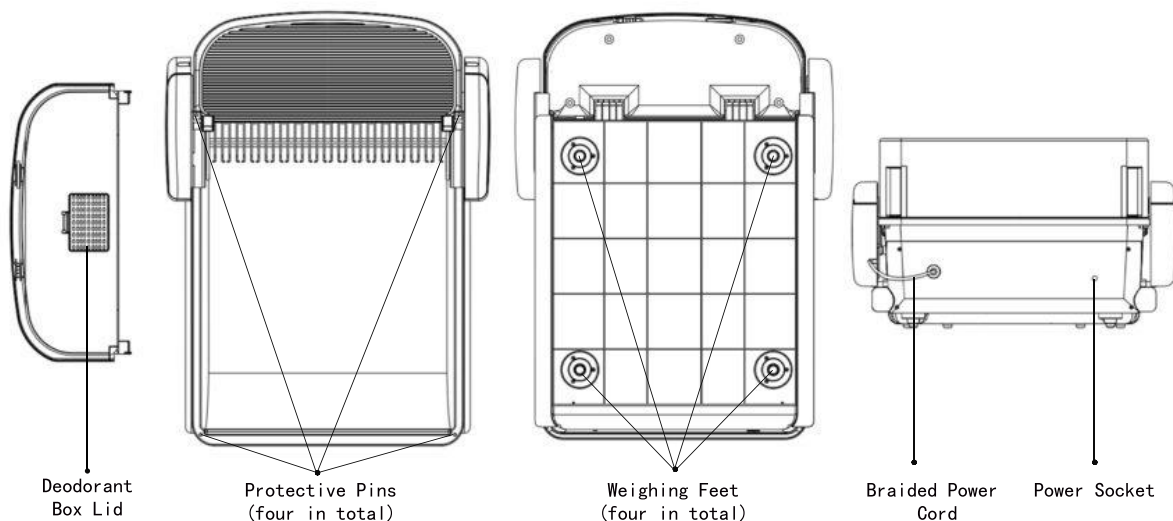
Instruction Manual×1

Products

Component Description




Cat litter scoop comes standard with 9.5mm clearance, optional 8mm clearance cat litter scoop available

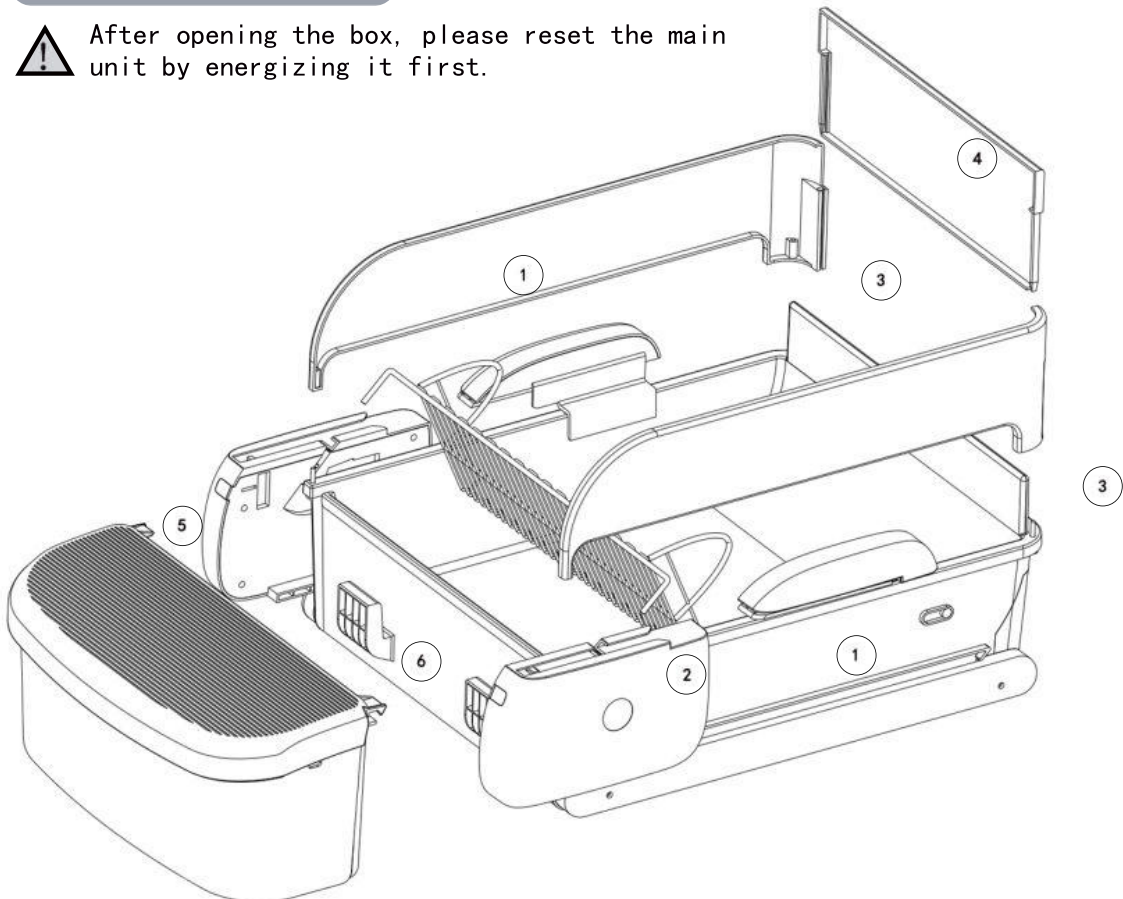


Due to the continuous upgrading and optimization of products, such as pictures and physical differences, please prevail in kind!

Assembly Instructions

Assembly Illustration

 After opening the box, please reset the main unit by energizing it first.



1. Insert the power adapter into the charging port and turn on the power, wait for the fuselage to finish the self-test and stand still, press and hold the left and right unlock buttons at the same time, horizontally pull out the right and left pressure plates towards the rear of the fuselage.
2. Insert the cat litter scoop into the holes of the left and right sliding modules (the holes are located in the middle of the top surface of the sliding modules), reinstall the left and right pressure plates back to the original position after the cat litter scoop is finished and a “click” sound is heard.
3. “Click” sound is installed in place. Insert the positioning holes at the bottom of the left and right guards into the corresponding positioning pins on the body, with the flat side facing outward and the curved end corresponding to the direction of the end of the body.
4. Insert the center guards into the bottom of the left and right side slides.
5. Remove a garbage bag and place the attached deodorant bag on the aroma diffuser.
6. Take a garbage bag and put it on the garbage box, and put the included deodorant bag in the aroma box and close the lid. 5. Put the garbage box lid on the garbage box according to the illustration, and the magnet at the bottom of the garbage box lid corresponds to the iron axis of the garbage box, so that the lid will be suctioned with the garbage box.
7. Put the garbage box to the body of the body to fasten it.

Due to the continuous upgrading and optimization of products, such as pictures and physical differences, please prevail in kind!

First Use

Placement Precautions

1. Do not place the sliding modules on either side of the product close to walls or other obstacles, the path of travel of the sliding modules must be free of obstacles;
2. Always operate the product on a firm, level surface. Soft or uneven surfaces may cause the product to fail to operate properly, affect operating safety, or make strange noises during operation;
3. Do not place the product in a damp or any place that may be wetted by water, such as a restroom, bathroom, etc.;
4. Do not place the unit in a damp or dusty environment, which may cause the unit to fail to operate properly and may also significantly shorten the unit's service life;
5. If litter mats or carpets are used, please check that they do not interfere with the normal operation of the litter box and that they are not placed unevenly underneath the weighing pads;
6. Placing the unit on a balcony or other sunny location may have an effect on the infrared's sense of security.

Machine and App Connection

1. Through the cell phone application store search "smart life" or scan the garbage box cover above the QR code to download;
2. After the download and installation is complete, according to the system prompts to register an account to ensure that the phone is connected to Wi-Fi;
3. Ensure that the machine is in standby mode, such as running, re-plugging the power supply so that the machine to restore the initial position;
4. Re-plug and turn on the machine, press the button white indicator light flashes rapidly, the product enters the Wi-Fi to be connected state;
5. Open the App, click on the "+" sign in the upper-right corner, click on the "Add Device" option, if the machine is detected, the APP will display all the Wi-Fi in the vicinity;
6. Select a Wi-Fi account. If the machine is detected, the APP will show all nearby Wi-Fi; Select the Wi-Fi name that your cell phone is connected to at this time, and enter the Wi-Fi password;
7. If the setup is successful, the indicator light of the operation button will stop blinking, and the device will be restarted and detected later.
8. When the connection fails, the machine's indicator light will keep on blinking, and the App will prompt the error message, so please repeat the above steps and reset.

App Operation and Settings

1. Set the time to start cleaning after the cat's toilet;
2. Open the "timed cleaning", "do not disturb mode", and other functions;
3. You can view the time and number of times each cat goes to the toilet each day on the App;
4. Alarm when the machine is running abnormally;
5. Online OTA upgrade and maintenance of the product to get the latest features;
6. Check if the current product is disconnected, etc.

*CAVEAT

1. This product only supports 2.4G band Wi-Fi;
2. When connecting with the machine to set up Wi-Fi, please turn on the Bluetooth function of the phone and give authorization;
3. Before the official use of the product, please test the device through the App to see if you need to update the version, such as if there is an update, please update the Bibi and then use it again;
4. App operation is subject to the influence of network signals, the machine operation will be delayed;
5. Online to product OTA upgrade and maintenance, please do not operate the machine or power off;

Installation of Garbage Bags

1. Take out a piece of garbage bag, put out the garbage box from the main body, remove the garbage cover and put the garbage bag on the garbage box;
2. Organize the garbage bag, make the garbage bag fit into the garbage can and reattach the garbage box cover on the garbage box;
3. Cover the garbage box, align the magnet at the bottom of the cover to the garbage box, and the box will be suctioned with the garbage box automatically;
4. Put the garbage box back to the body to make sure that the exceeding portion of garbage bag is pressed under the garbage box. Put the garbage box back to the machine, make sure the excess garbage bag is pressed under the garbage box and does not invade the inner space of the silicone mat;

Placement of Cat Litter

1. Unplug the power adapter from the outlet to disconnect the power.
2. Add the appropriate amount of cat litter in the basin bin, the amount of cat litter placed in the silica gel mat should be between the marked scale line, not exceed the MAX line;
3. Re-plug the power supply and smooth the cat litter manually or operate the machine to select the automatic smoothing;

Description of Operational Exceptions

1. Please ensure that the curved side of the cat litter shovel on both sides is installed toward the end of the body, if installed incorrectly, the module can not be returned to the position, the machine can not work;
2. During operation, the machine encounters the removal of the litter box, cats, or foreign objects into the situation, no will pause to clean up the action;
3. If all the objects are installed in place and the machine can not run after the power is turned on, please disconnect the power supply after checking the power supply braided cable is not broken;
4. If the weighing sensor has been alarmed, please check whether there are foreign objects or four weighing feet at the bottom of the body is on the same plane. If the load cell keeps alarming, please check whether there is any foreign object at the bottom of the machine or whether the four weighing feet are not in the same plane.

At this point, the machine is ready to serve you and your pet!

Functional Analysis

Working Principle

This product is a bold innovation that transforms the traditional cat litter box into an intelligent automatic cat litter box that works by analyzing and mimicking manual cleaning. Intelligent cat litter box at the same time still continue the advantages of the traditional cat litter box, the entire cleaning part can be quickly disassembled. Compared with other kinds of intelligent cat litter box has the advantages of small footprint, large toilet space, applicable to a wide range of pet breeds, easy to clean and so on.

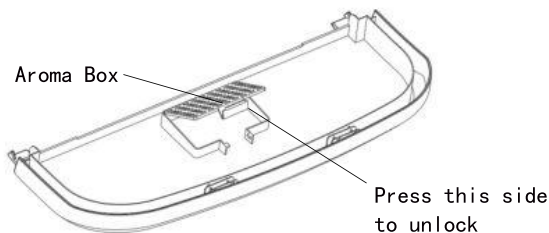
In the work operation is divided into the following stages:

1. **Standby:** in the standby state will be real-time detection of whether there is a pet to enter;
2. **Agglomeration:** such as cats to enter, the system after the pet leaves, enter the agglomeration waiting time;
3. **Cleanup:** agglomeration after the end of the machine began to operate the cleanup. During the operation, it will sift out the clumps and spread the remaining litter;
4. **Disposal:** During the cleaning process, the clumped litter will be transported and dumped into the garbage box, and turn on the germicidal light for deodorization and disinfection, you need to empty the garbage box regularly;
5. **Reset:** After finishing the round of cleaning, the machine will be reset to standby and wait for the next cleaning.

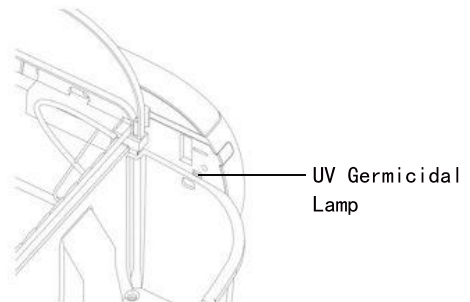
Safety Check

1. Full open space: when the open top is not installed, there is no closed space, so you can see the cat status at any time.
2. Infrared induction sensor: when the run detects a pet to enter will pause the run;
3. Weighing sensor: when there is a pet to enter, the weight change will also lead to the machine to pause the run;
4. Automatic anti-clamping: if in the run detected that the pet is clamped, the cat litter shovel will be automatically back to let the pet out of the way!
5. System detection: when the machine operation occurs abnormally, the software sends out a reminder, the body indicator light will be red flashing alarm;
6. Abnormal homing protection: when the execution time of each running operation is too long, the system will let the left and right sliding module return to the initial state.

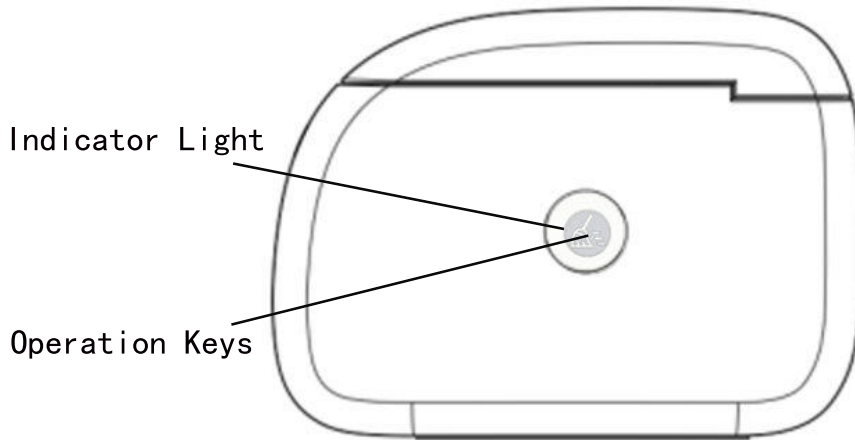
Odor Elimination Measures



Open the aromatherapy cap to put in the included deodorant bag (replace it once every 1-2 weeks or so).



Operation Buttons and Indicators



Operation Keys

Single Click : Clean \ Pause;

Double Click : Smoothing function;

Triple Click : Cat litter scoop reset removable function;

Long Press 3S: Reset Wi-Fi

Indicator Light

White Indicator Status

White light is always on :Standby

White light is blinking fast :Wi-Fi connection is in progress

White light is blinking :Running

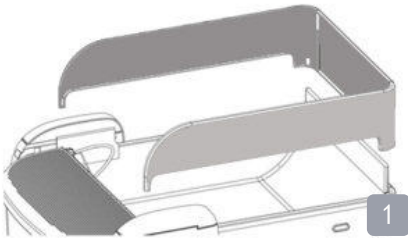
Red Indicator Status

Red light is always on :Pets enter the tub compartment while the machine is running and the waste container is removed

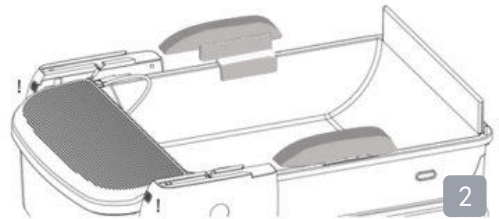
Cleaning & Maintenance

CAVEAT

1. Before disassembling for cleaning, the power supply must be disconnected.
2. Be sure to dry it before installing it.
3. Pay attention to the direction of the cat litter scoop installation.
4. Be sure to lock the latches on both sides after installing the cat litter scoop.
5. Be sure there is no cat litter inside the silica gel pads when you take them out.
6. The main unit contains electronic parts, so do not invade liquids!



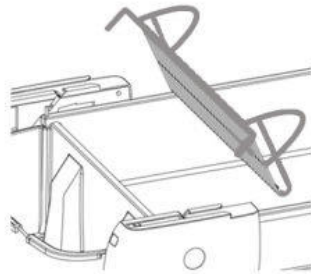
Remove the guard upwards



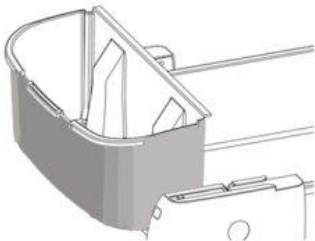
Press and hold the two side unlock buttons to remove the two side press plates



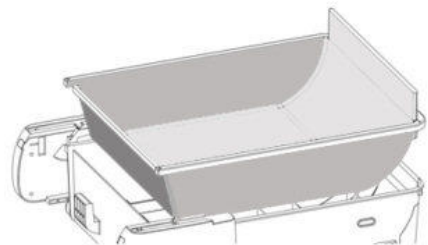
Remove the trash can lid upwards



Remove the litter scoop cover in this direction



Remove the trash can lid upwards



Remove the silicone pad upwards

Product Specification

Product Model: BP01

Product Name: Self-Cleaning Open-Style

Smart Cat Litter Box

Rated Voltage: DC 12V

Maximum Current: 1.5A

Wi-Fi: IEEE 802.11b/g/n(1-14)

Bluetooth: BLE 4.2

Implementation Standards: GB4706.1-2005

Main Material: PP、ABS、Silicone

Maximum Capacity Of Cat Litter: 9.5 liters

Litter Box Capacity: 10 liters

Product Size: 535×719×313mm

Net Weight: Approx. 7.2kg

Q&A and Troubleshooting

Q: Why doesn't your pet use this product after purchasing?

A: 1、Put items with your pet's urine into the silicone mat.

2、Pour the used litter into the silicone mat.

3、Put your pet gently into the new litter box to adapt to the new litter box. Please be patient and give your pet a chance to get used to the new litter box. Put your pet gently into the silica gel mat in order to adapt to the new litter box.

4、Cats do not adapt to the new litter box, it takes 2-3 days to accept it slowly, please keep patience and give your pet more guidance.

Q: Why does the disinfection lamp not light up when the disinfection is turned on?

A: The product is installed with a UV lamp that emits invisible light.

Q: How often should I replace the deodorant pack?

A: It is recommended to replace it once every 1-2 weeks, which can be purchased separately by going to the official website.

Q: How often should I clean the trash box?

A: We recommend every 3-4 days in summer, and you can clean the trash box every other week in winter.

Q: Tiny clumps can't be sifted into the litter box?

A: Optionally, you can purchase an 8mm clearance litter scoop, which is too small to clean thoroughly.

Q: When to add new cat litter, how much cat litter should be added?

A: When the level of cat litter in the silica gel mat is lower than the MIN marking line on the silica gel mat, you should add more cat litter in time. The characteristics of each type of cat litter vary greatly, when adding cat litter, as long as the height of the cat litter does not exceed the MAX marking line of the silica gel mat when it is manually smoothed out. Too little cat litter in the bin will make it impossible to clean, and too much will hinder the cleaning process and damage the equipment.

Q: What should I do if I can't clean up the litter and the clumping is always sticky?

A: The litter scoop and silicone mat can effectively reduce the stickiness, if the stickiness always occurs, 1. We suggest to change the litter to one with good clumping and absorbent properties. 2. Check if your pet has soft or diluted poop. 3. Set a longer clumping time in the app. 4. Check if the silicone pad is broken.

Q: Which type of cat litter should I choose?

A: It is recommended to use clumping type cat litter such as mixed bentonite cat litter, tofu litter, mineral sand and tapioca sand.

Environmental Checklist

Names And Contents Of Hazardous Substances In Products

Part Name	Harmful Substance					
	Pb	Hg	Cd	Cr (VI)	PBB	PBDE
Silicone Parts	0	0	0	0	0	0
Plastic Shell	0	0	0	0	0	0
Labeling Category	0	0	0	0	0	0
Switch Assembly	0	0	0	0	0	0
PCBA Assembly	x	0	0	0	0	0
hardware hardware (nuts and bolts)	x	0	0	0	0	0
Power Adapter	x	0	0	0	0	0
Accessories	0	0	0	0	0	0
Internal Connection Cables	0	0	0	0	0	0

This form has been prepared in accordance with the provisions of SJ/T11364.

0: It means that the content of the hazardous substance in all homogeneous materials of the component is below the requirements specified in GB/T 26572.

x: Indicates that the content of the hazardous substance in at least one homogeneous material of the component exceeds the limit requirements specified in GB/26572.

Note: 1. The numbers in this symbol indicate the environmental protection use period of SITA products under the use conditions required by the instruction manual.
2. Lead (Pb), mercury (Hg), cadmium (Cd), hexavalent chromium (Cr (VI)) in the hazardous substances all represent compounds.

Warranty Service

Warranty coverage of this product:

- (1) Within one year from the date of purchase (subject to valid proof of purchase);
- (2) Within the warranty period, the product itself will be given free of charge to repair quality problems.

The following situations are not covered by the warranty service:

- (1) Any failure or defect caused by improper use of the environment or conditions;
- (2) Any failure or defect caused by improper installation, incorrect use, unauthorized maintenance, modification, accident, force majeure events or other external causes;
- (3) Any failure or defect caused by the use of third-party parts;
- (4) Other failures or defects that are not caused by the product's own design, technology, manufacturing, quality any failure or damage not caused by the product's own design, technology, manufacturing, quality, or other problems;
- (5) Failure to provide a valid proof of purchase or product codes that are unrecognizable or mismatched. If the returned product does not meet the terms of the limited warranty, we will charge the corresponding repair costs.

Warranty Certificate

Customer Name:

Contact Number:

Customer Address:

Product Model:

Purchase Date:

Invoice Number:

Problem Record:

Certificate Of Conformity

The product is qualified to be
allowed to leave the factory

FCC Warning:

This equipment has been tested and found to comply with the limits for a Class B digital device, pursuant to part 15 of the FCC Rules. These limits are designed to provide reasonable protection against harmful interference in a residential installation. This equipment generates, uses and can radiate radio frequency energy and, if not installed and used in accordance with the instructions, may cause harmful interference to radio communications. However, there is no guarantee that interference will not occur in a particular installation. If this equipment does cause harmful interference to radio or television reception, which can be determined by turning the equipment off and on, the user is encouraged to try to correct the interference by one or more of the following measures:

- Reorient or relocate the receiving antenna.
- Increase the separation between the equipment and receiver.
- Connect the equipment into an outlet on a circuit different from that to which the receiver is connected.
- Consult the dealer or an experienced radio/TV technician for help.

Caution: Any changes or modifications to this device not explicitly approved by manufacturer could void your authority to operate this equipment.

This device complies with part 15 of the FCC Rules. Operation is subject to the following two conditions:

(1) This device may not cause harmful interference, and (2) this device must accept any interference received, including interference that may cause undesired operation.

This equipment complies with FCC radiation exposure limits set forth for an uncontrolled environment. This equipment should be installed and operated with minimum distance 20cm between the radiator and your body.