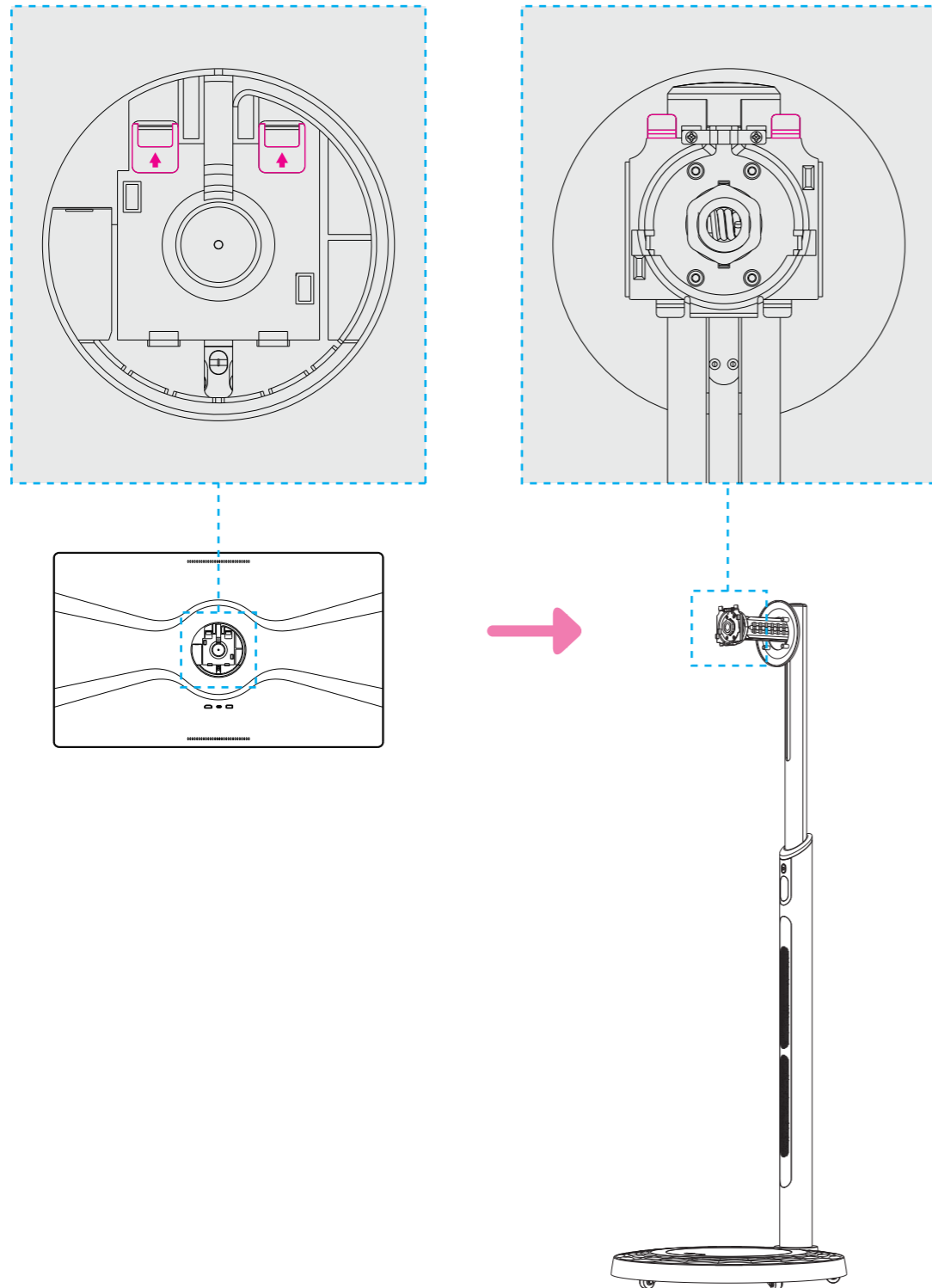


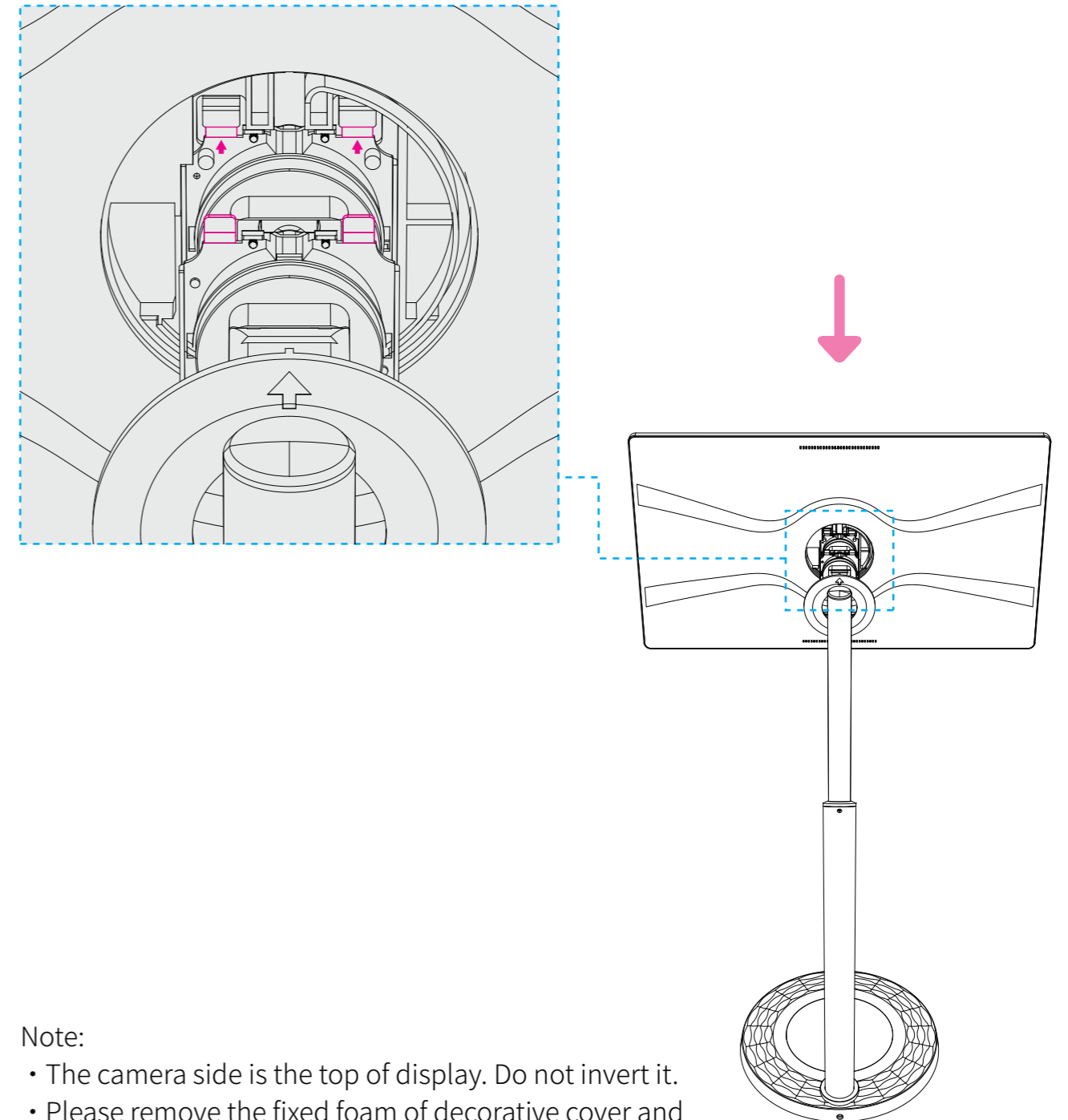
User Installation Guide

4 Keep the installed stand upright and put it on the flat ground, find the positioning column that is indicated by arrow on the stand. Take out the **【 host display 】**, and find the mounting holes which are indicated by arrow at the back of host.



User Installation Guide

5 Hold both sides of **【 host display 】** with both hands, and put the back side of display in front of you, as shown in picture below; hang the positioning holes, which are on the back side of display, onto the positioning column of stand. Make sure to hang the positioning holes properly, and then release slowly and the display installation is completed when you hear a "click" sound.

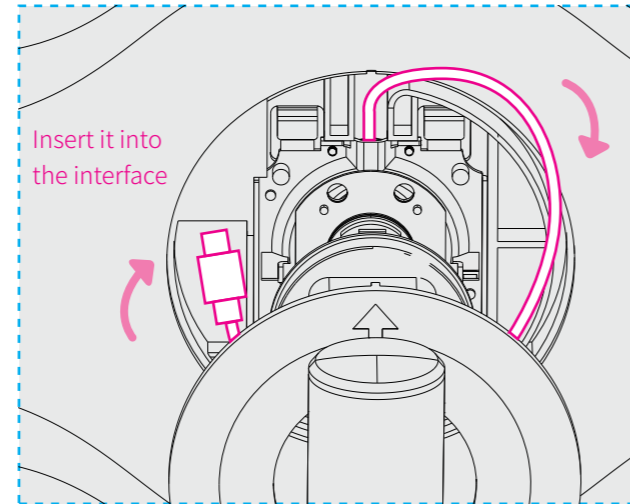
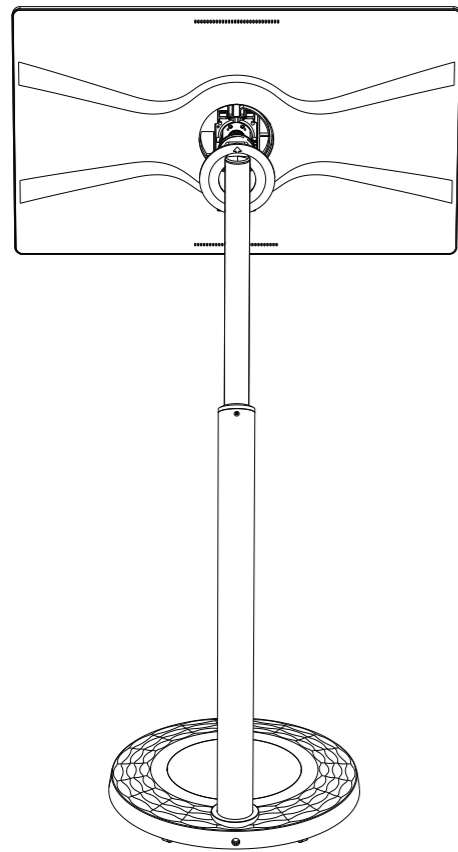


Note:

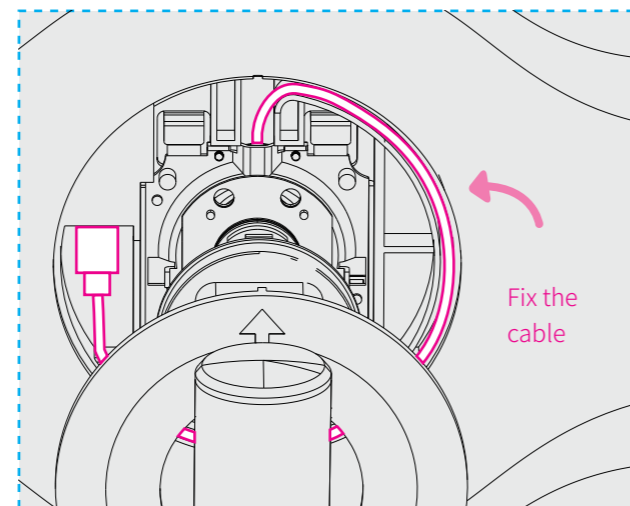
- The camera side is the top of display. Do not invert it.
- Please remove the fixed foam of decorative cover and display connection wire in this step.

User Installation Guide

6 Insert the power cable of stand clockwise into the power interface at the back of host display.



Cross the cable over the top and insert it to the power interface at the back of display



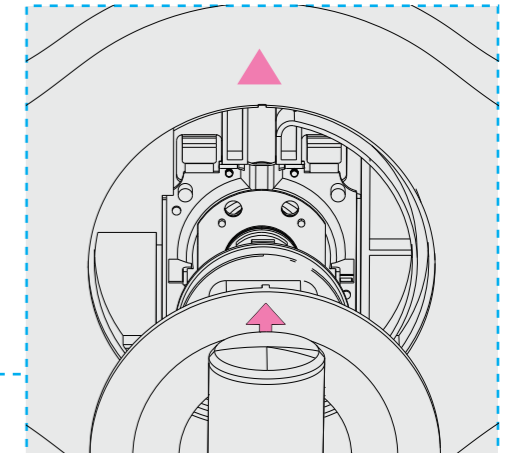
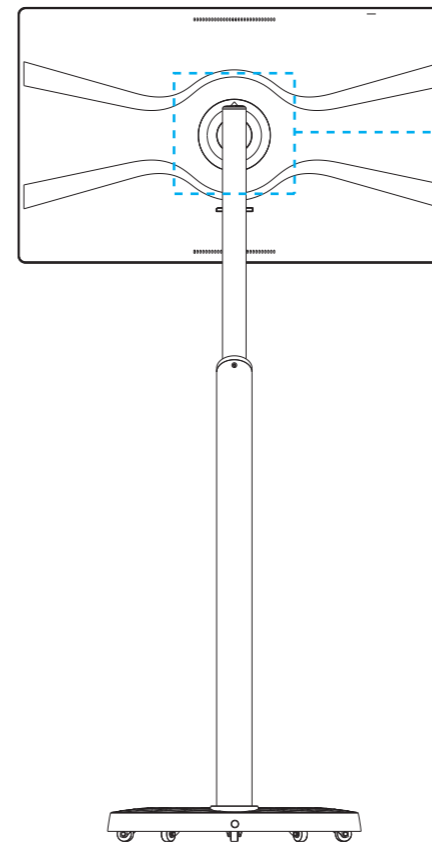
Press the plug down by force and fix the cable

Note:

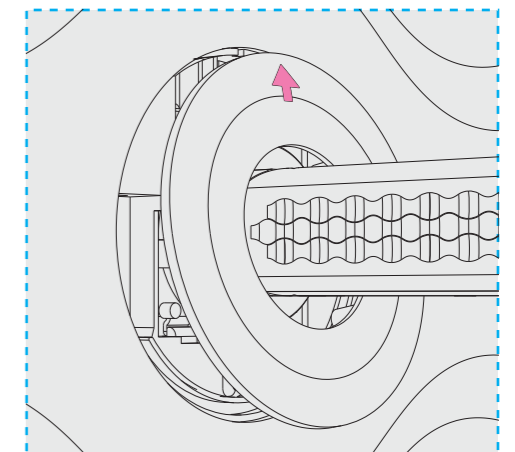
- Connect the cable correctly and firmly here, to avoid product damage and personal injury due to poor contact of power supply.
- After cable is connected, press the "ON/OFF" button on the lifting rod to power on the Product.
- For any startup failure, please check if the cable is connected correctly, or try to connect the power adapter on the base, or consult the manufacturer's after-sales service staff.

User Installation Guide

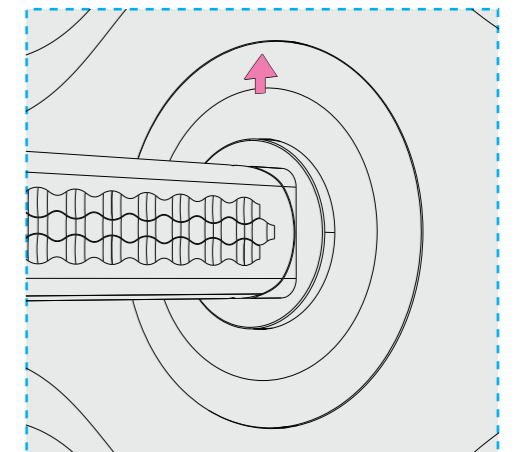
7 Install the circular decorative cover, after which, the Product is installed totally.



Find the triangle indication mark at the back of display



Find the triangle indication mark on the circular decorative cover



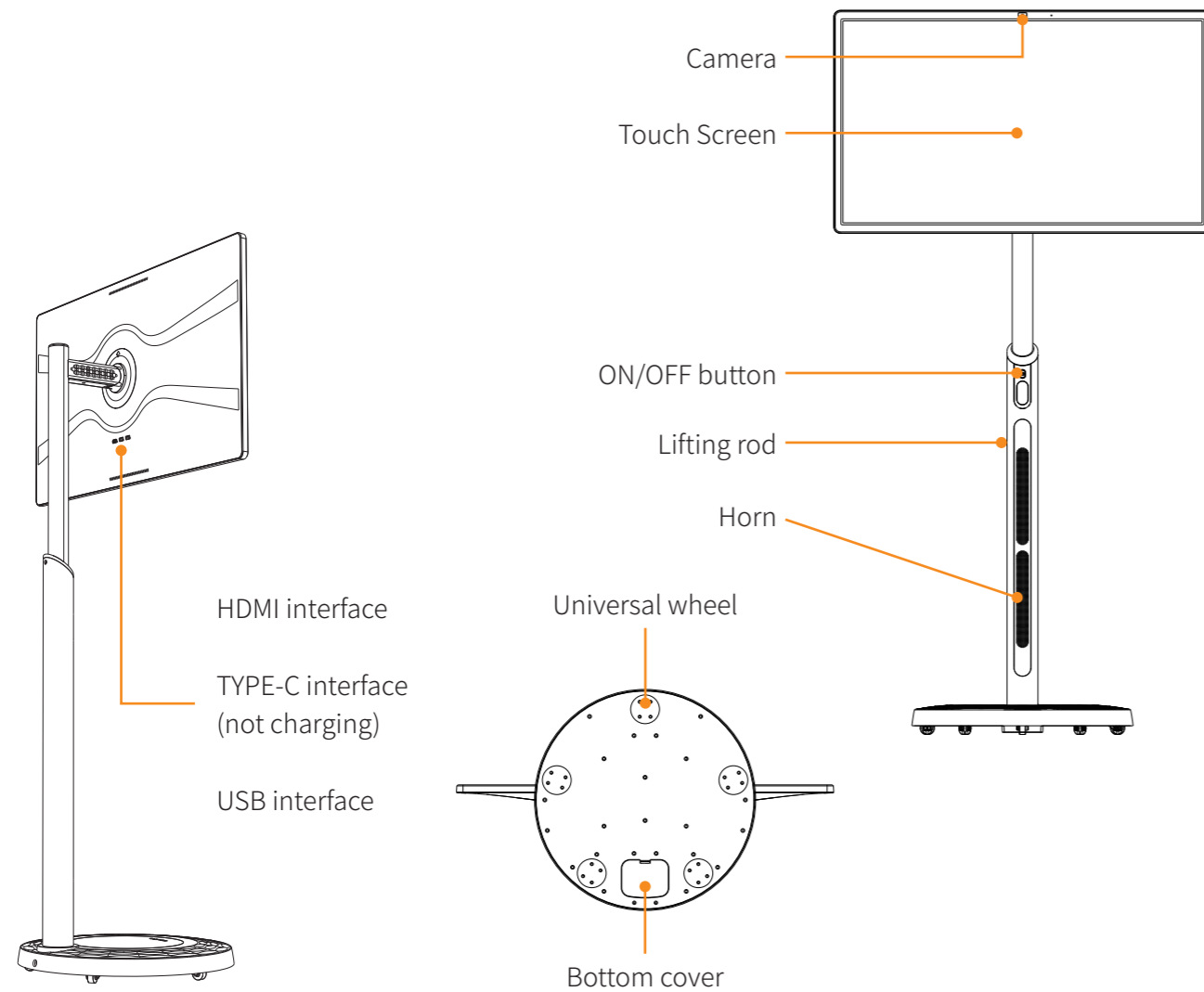
Align the two marks, and then fasten the circular decorative cover downwards

Note:

- To dismantle this decorative cover, find the slot under it, and lever it upwards by force using a "flat head" screwdriver.
- Please be careful while dismantling the decorative cover, for it may lead to product damage and personal injury.

Quick Start

Function descriptions



Bluetooth remote control pairing instructions:

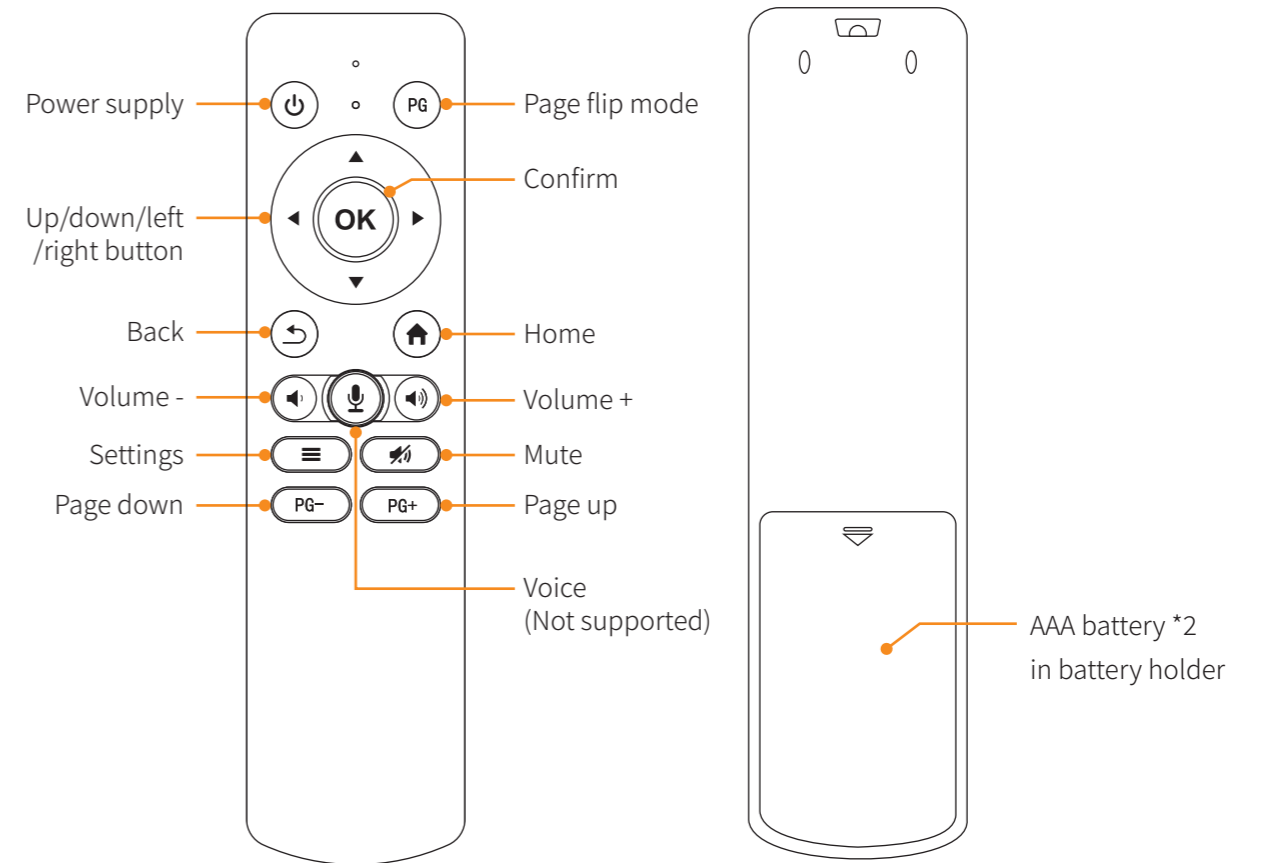
1. Long press the left and right keys of the remote control for 5 seconds at the same time;
2. Flashing red light, then releasing; Click on the settings button in the upper right corner of the screen, scroll down to find Bluetooth, click to enter Bluetooth settings, click to connect to a new device, wait for a refresh, and then select <BT Remote> to start pairing;
3. When the red light stops flashing, complete the pairing

Button Description

Buttons	Function
ON/OFF button	"Click" to screen off "Press and hold" for 3s to turn on/off the product

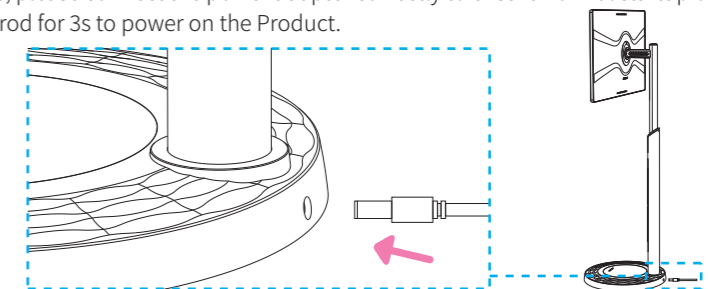
Quick Start

Instructions of remote start



Power on product

While connecting or removing the power supply, please hold the plug, plug or unplug it at the horizontal direction. Insert the power adapter completely and do not remove it after connection. When power is on, the power indicator on the Product's lifting rod will flicker, which means the base is being powered on. While using the Product for the very first time, please connect the power adapter correctly to ensure normal startup of the Product. Press and hold the ON/OFF button on lifting rod for 3s to power on the Product.



Note:

- Keep the Product vertical and do not lay it flat, to avoid product damage and personal injury due to tilting.
- Keep your hands away from the moving area of stand, to avoid personal injury.
- While moving the Product, please hold the middle of stand to avoid product damage and personal injury due to tilting.
- For any foreign matters stuck on the stand or base, please wipe them off gently by using clean wet paper or cotton cloth.