

IC Warning

- English: This device contains licence-exempt transmitter(s)/receiver(s) that comply with Innovation, Science and Economic Development Canada's licence- exempt RSS(s). Operation is subject to the following two conditions:

1.This device may not cause interference.

2.This device must accept any interference, including interference that maycause undesired operation of the device.

- French: Cet appareil contient des émetteurs/récepteurs exemptésde licence qui sont conformes aux RSS exemptés de licence d'innovation, sciences et développement économique Canada. Lefonctionnement est soumis aux deux conditions suivantes:

1. Cet appareil ne peut pas causer d'interférences.

2. Cet appareil doit accepter toute interférence, y compris lesinterférences qui peuvent causer un fonctionnement indésirable de l' appareil.

Radiation Exposure Statement

The device has been evaluated to meet general RF exposure requirement.

The device can be usedin portable exposure condition without restriction.

L'appareil a été évalué pour répondre aux exigencesgénérales d' exposition aux radiofréquences. L'appareil peut être utilisé en condition d' exposition portable sans restriction.

FCC Warning

This device complies with part 15 of the FCC Rules. Operation is subject to the following two conditions:

(1) This device may not cause harmful interference, and (2) this device must accept any interference received, including interference that may cause undesired operation.

Any Changes or modifications not expressly approved by the party responsible for compliance could void the user's authority to operate the equipment.

Note: This equipment has been tested and found to comply with the limits for a Class B digital device, pursuant to part 15 of the FCC Rules. These limits are designed to provide reasonable protection against harmful interference in a residential installation. This equipment generates uses and can radiate radio frequency energy and, if not installed and used in accordance with the instructions, may cause harmful interference to radio communications. However, there is no guarantee that interference will not occur in a particular installation. If this equipment does cause harmful interference to radio or television reception, which can be determined by turning the equipment off and on, the user is encouraged to try to correct the interference by one or more of the following measures:

-Reorient or relocate the receiving antenna.

-Increase the separation between the equipment and receiver.

-Connect the equipment into an outlet on a circuit different from that to which the receiver is connected.

-Consult the dealer or an experienced radio/TV technician for help.

The device has been evaluated to meet general RF exposure requirement. The device can be used in portable exposure condition without restriction.

Troubleshooting

1. Lamp Does Not Turn On

- Check if the power connection is secure.
- Ensure the remote control batteries are not depleted.

2. APP Cannot Connect to Lamp

- Ensure the lamp and phone Bluetooth are enabled and within effective range.
- Restart the lamp and phone, and try reconnecting.

3. Flickering or Abnormal Colors

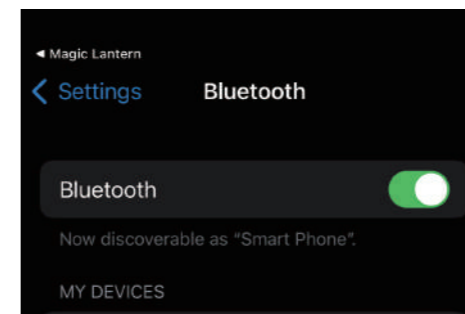
- Ensure the power connection is stable.
- Reset the lamp using the APP or remote control.

After-Sales Service

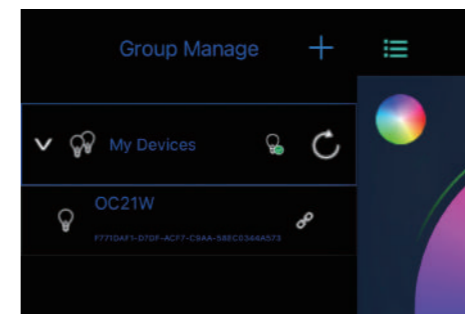
If you have any concerns regarding product quality, technical support, or follow-up services, please don't hesitate to reach out to us directly through "Amazon Message". Our dedicated team will respond within 24 hours to ensure your complete satisfaction.

Thank you for choosing our product. Enjoy your lighting experience!

3. Turn on Bluetooth on your phone.



4. After enabling Bluetooth, click the button in the top left corner of the APP's main interface to go to the "Group Manage" screen. The APP will automatically search for nearby Bluetooth devices; select your Floor Lamp to connect and pair.



RGBICW FLOOR LAMP BASIC

— User Manual —

Please carefully read this manual before using the product and retain in for future reference.

Product Overview

Thank you for purchasing the RGBICW Floor Lamp. This product uses advanced RGBICW technology, offering a versatile and colorful lighting experience. It supports multiple modes and control methods to enhance your environment, whether for home decoration, mood setting, or practical lighting.

Safety Instructions

- Do not expose the product to moisture or high temperatures.
- Avoid strong impacts and rough handling to prevent damage.
- Disconnect from power before cleaning; do not wash with water directly. Use a dry, soft cloth to wipe clean.
- Contact customer service for any abnormal conditions; do not disassemble or repair by yourself.

Specifications

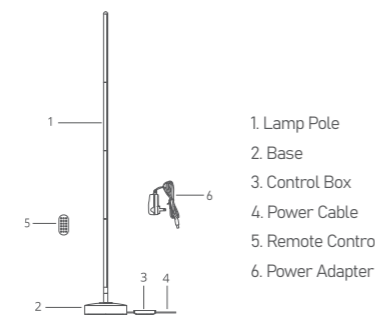
Adapter Input	100-240V AC
Lamp Input	24V/1A DC
Power	24W
Lumens	1200lm
Colors	RGB and Warm White
Color Temperature Range	2200K
Control Methods	APP Control, Remote Control, Control Box
Working Temperature	-10 C to 40 C/14 F to 104 F
Dimensions	Height 54.53inch/1385mm, Base Diameter 7.87inch/200mm
Weight	2.54lb/1.15kg

Product Features

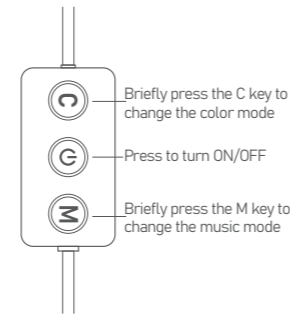
- Customized Lighting Colors: Choose from 16 million colors with adjustable brightness.
- Multiple Lighting Modes: Includes static, dynamic, and music synchronization modes.
- Smart Control: Operable via app control and remote control.
- High-Quality Materials: Made from premium aluminum alloy and PC materials for durability and efficient heat dissipation.
- Easy Installation: Simple assembly without complex tools, saving you time and effort.

Package Contents

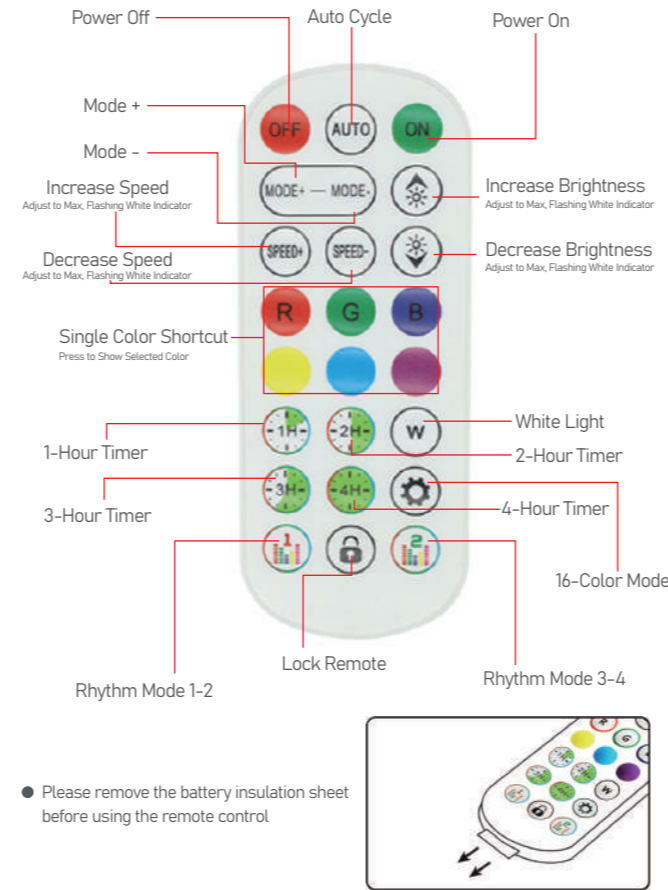
RGBICW Floor Lamp	1
Power Adapter	1
Control Box	1
Remote Control	1
Installation Accessory Pack	1
User Manual	1
Quick Start Guide	1



1. Lamp Pole
2. Base
3. Control Box
4. Power Cable
5. Remote Control
6. Power Adapter



- Briefly press the C key to change the color mode
- Press to turn ON/OFF
- Briefly press the M key to change the music mode



- Please remove the battery insulation sheet before using the remote control

Installing Your Device

1. Follow the Quick Start Guide to assemble the floor lamp.
2. Plug in the adapter and power it on.

Magic Lantern APP Function Introduction

- Main Interface: After entering the APP, the main interface displays connected devices. Click the device icon to enter the control interface.
- Color Control: In the color control interface, you can select from 16 million colors and adjust the brightness.
- Dynamic Mode: Choose from 213 dynamic lighting modes to quickly switch and create various lighting effects, with adjustable speed settings.
- Music Mode: Enable music synchronization mode to automatically change the light color according to the rhythm of the music being played.
- Microphone Mode: The lamp can synchronize its lighting effects with external sounds it picks up via the built-in microphone.
- Timer Function: Set the on/off time to achieve intelligent timing control.



Pairing Your Lamp with the Magic Lantern App

1. Download the App: Scan the QR code provided in the user manual or search for "Magic Lantern" in the App Store (for iOS devices) or Google Play (for Android devices), and download the app.



2. The first time you use the app, you need to agree to use Bluetooth.

