

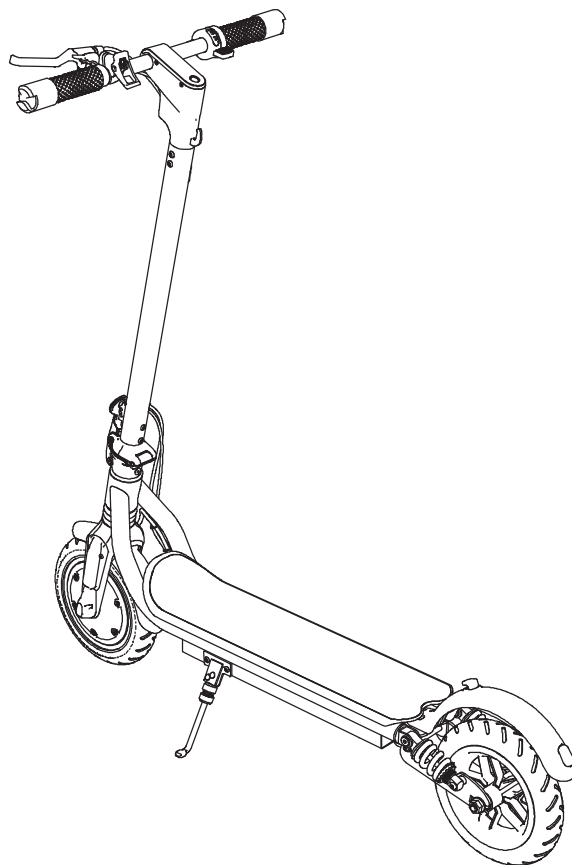
iScooter

W8

User Manual

Before using the product, please read this manual. Read carefully and keep for future reference.

Illustrations of product, accessories, and user interface in the user manual are for reference purposes only. Actual product and functions may vary due to product enhancements.



FCC ID: 2BM88-W8A

NOTE: This equipment has been tested and found to comply with the limits for Class B digital devices, in alignment with section 15 of the FCC Rules. These limits are designed to provide reasonable protection against harmful interference in a residential installation. This equipment generates uses and can radiate radio frequency energy and, if not installed and used in accordance with the instructions, may cause harmful interference to radio communications. However, there is no guarantee that interference will not occur in a particular installation. If this equipment does cause harmful interference to radio or television reception, which can be determined by turning the equipment off and on, the user is encouraged to try to correct the interference by one or more of the following measures:

- Reorient or relocate the receiving antenna.
- Increase the separation between the equipment and receiver.
- Connect the equipment into an outlet on a circuit different from that to which the receiver is connected.
- Consult the dealer or an experienced radio/TV technician for help.

Changes or modifications not expressly approved by the party responsible for compliance could void the user's authority to operate the equipment.

This device complies with Part 15 of the FCC Rules. Operation is subject to the following two conditions:

- (1) this device may not cause harmful interference, and
- (2) this device must accept any interference received, including interference that may cause undesired operation.



Disposal of Electrical and Electronic Equipment

The crossed-out garbage can means that you are legally obliged to dispose of these devices separately from unsorted municipal waste. Disposal via the residual waste bin or the yellow bin is prohibited. If the products contain batteries or rechargeable batteries that are not permanently installed, they must be removed before disposal and disposed of separately as a battery.

Options for Returning Old Devices (EAR)

Owners of old devices can hand them over within the scope of the options for returning or collecting old devices that have been set up and made available by public waste disposal authorities, so that proper disposal of the old devices is ensured.

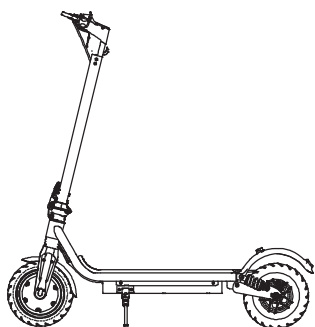
Declaration of Conformity

Shenzhen Xincheng Times Technology Co., Ltd. hereby declares that the device complies with the legal regulations of the EU Directives 2014/30/EU and 2011/65/EU (RoHS).

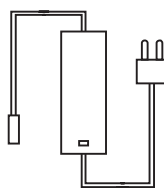
For the full text of the EU Declaration of Conformity, visit the link:
<https://www.iscooterglobal.co.uk/pages/declaration-of-conformity> (UK)
<https://www.iscooterglobal.de/pages/konformitatserklarung> (EU)



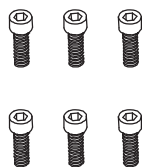
**Package Contents / Contenu du paquet /
Contenido del paquete / Inhalt des Pakets /
Contenuto della confezione / Zawartość opakowania**



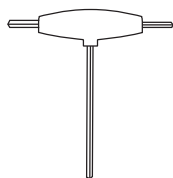
EN Scooter
FR Scooter
ES Scooter
DE Roller
IT Scooter
PL Skuter



EN Charger
FR Chargeur
ES Cargador
DE Ladegerät
IT Caricabatterie
PL Ładowarka



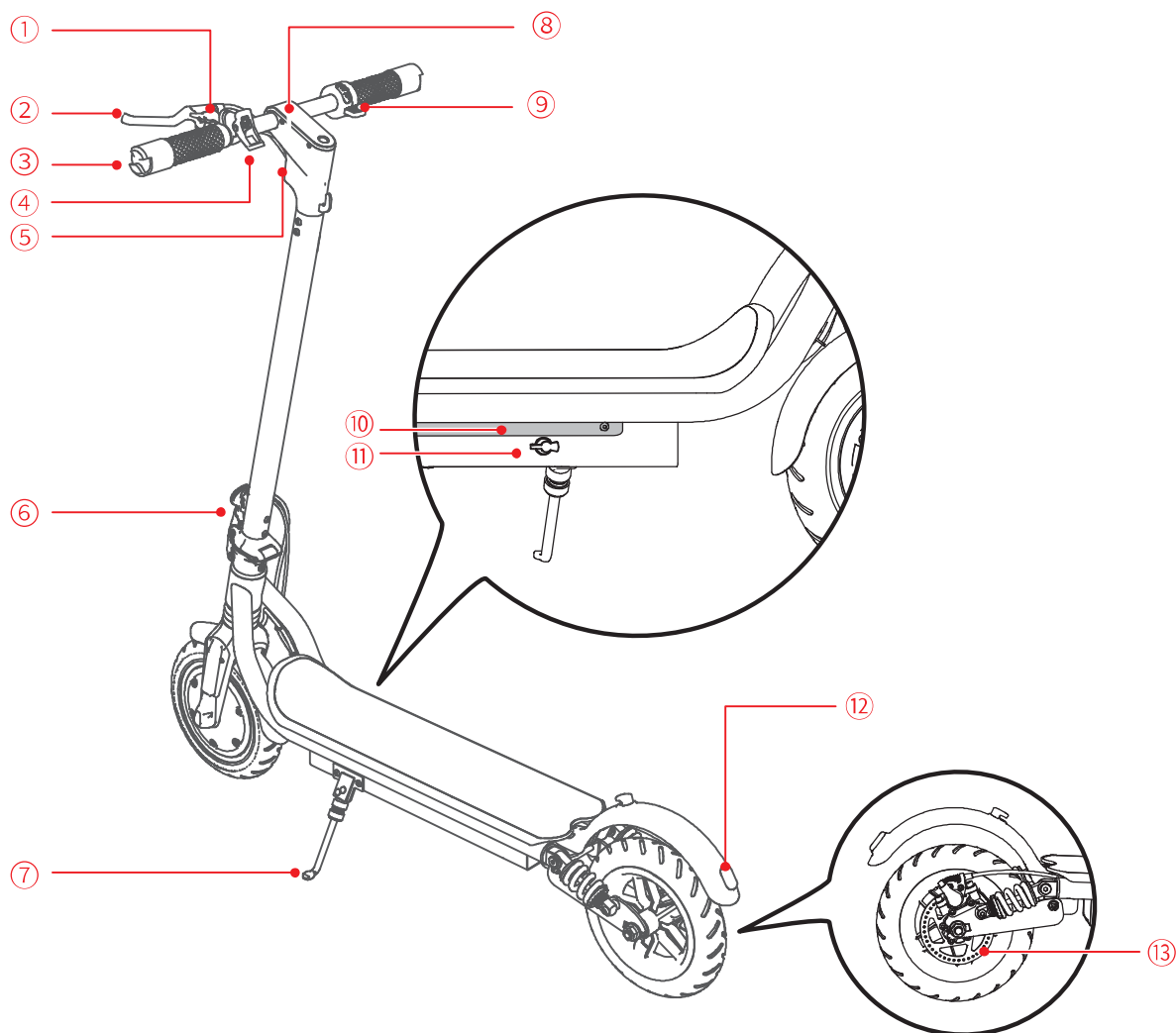
EN Stem Bolt x6 (Including 2 Spare Bolts)
FR Boulon de tige x6 (y compris 2 boulons de rechange)
ES Perno del vástago x6 (incluye 2 pernos de repuesto)
DE Vorbauschraube x6 (einschließlich 2 Ersatzschrauben)
IT Bullone dello stelo x6 (compresi 2 bulloni di ricambio)
PL Śruba trzpienia x6 (w tym 2 śruby zapasowe)



EN Hex Wrench
FR Clé hexagonale
ES Llave hexagonal
DE Sechskant-Schlüssel
IT Chiave esagonale
PL Klucz sześciokątny



**Product Overview / Aperçu du produit /
Productos / Produktübersicht /
Panoramica del prodotto / Przegląd produktów**



EN

- ① Bell
- ② Brake Lever
- ③ Turn Signal
- ④ Folding Buckle
- ⑤ Headlight
- ⑥ Folding Latch
- ⑦ Kickstand
- ⑧ Display
- ⑨ Throttle & Turn Signal Switch
- ⑩ Underbody Light
- ⑪ Charging Port
- ⑫ Taillight & Brake Light
- ⑬ Disc Brake

FR

- ① Cloche
- ② Levier de frein
- ③ Clignotant
- ④ Boucle pliante
- ⑤ Phare
- ⑥ Loquet pliant
- ⑦ Kickstand
- ⑧ Écran
- ⑨ Commutateur d'accélérateur et de clignotant
- ⑩ Feu de dessous de caisse
- ⑪ Port de charge
- ⑫ Feu arrière et feu de freinage
- ⑬ Frein à disque

ES

- ① Campana
- ② Palanca de freno
- ③ Intermitentes
- ④ Hebilla plegable
- ⑤ Faro delantero
- ⑥ Pestillo plegable
- ⑦ Pata de cabra
- ⑧ Pantalla
- ⑨ Interruptor del acelerador y de los intermitentes
- ⑩ Luz de bajos
- ⑪ Puerto de carga
- ⑫ Luz trasera y de freno
- ⑬ Freno de disco

DE

- ① Glocke
- ② Bremshebel
- ③ Blinker
- ④ Klappbare Schnalle
- ⑤ Scheinwerfer
- ⑥ Klappbare Klinke
- ⑦ Ständer
- ⑧ Bildschirm
- ⑨ Schalter für Gaspedal und Blinker
- ⑩ Unterbodenbeleuchtung
- ⑪ Ladeanschluss
- ⑫ Rücklicht & Bremslicht
- ⑬ Scheibenbremse

IT

- ① Campanello
- ② Leva del freno
- ③ Indicatore di direzione
- ④ Fibbia pieghevole
- ⑤ Faro
- ⑥ Chiusura pieghevole
- ⑦ Cavalletto
- ⑧ Schermo
- ⑨ Interruttore dell'acceleratore e degli indicatori di direzione
- ⑩ Luce sottoscocca
- ⑪ Porta di ricarica
- ⑫ Luce posteriore e luce freno
- ⑬ Freno a disco

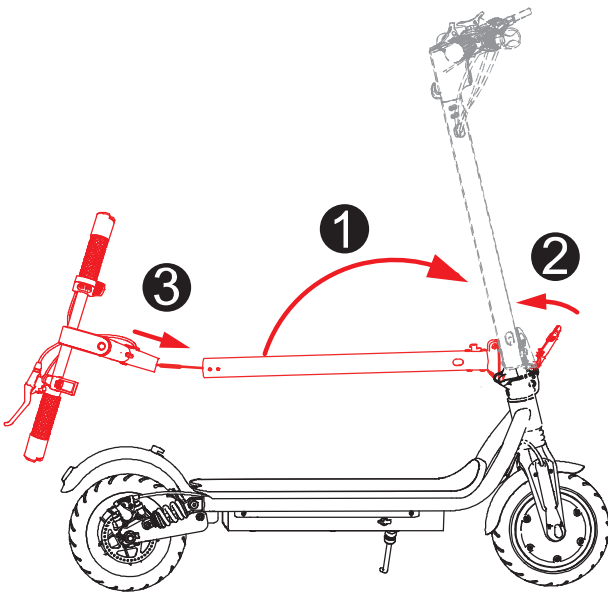
PL

- ① Dzwonek
- ② Dźwignia hamulca
- ③ Kierunkowskaz
- ④ Składana klamra
- ⑤ Reflektor
- ⑥ Składany zatrzask
- ⑦ Podpórka
- ⑧ Ekran
- ⑨ Przełącznik przepustnicy i kierunkowskazów
- ⑩ Oświetlenie podwozia
- ⑪ Port ładowania
- ⑫ Światło tylne i światło hamowania
- ⑬ Hamulec tarczowy

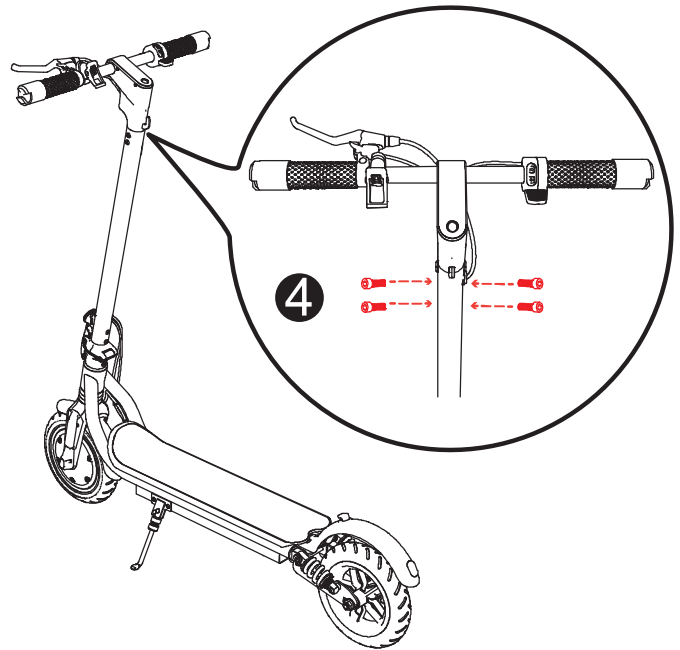


Quick Setup / Installation rapide / Configuración rápida / Schnelle Einrichtung / Configurazione rapida / Szybki montaż

• Assembly / Assemblage / Montaje / Montage / Montaggio / Montaż

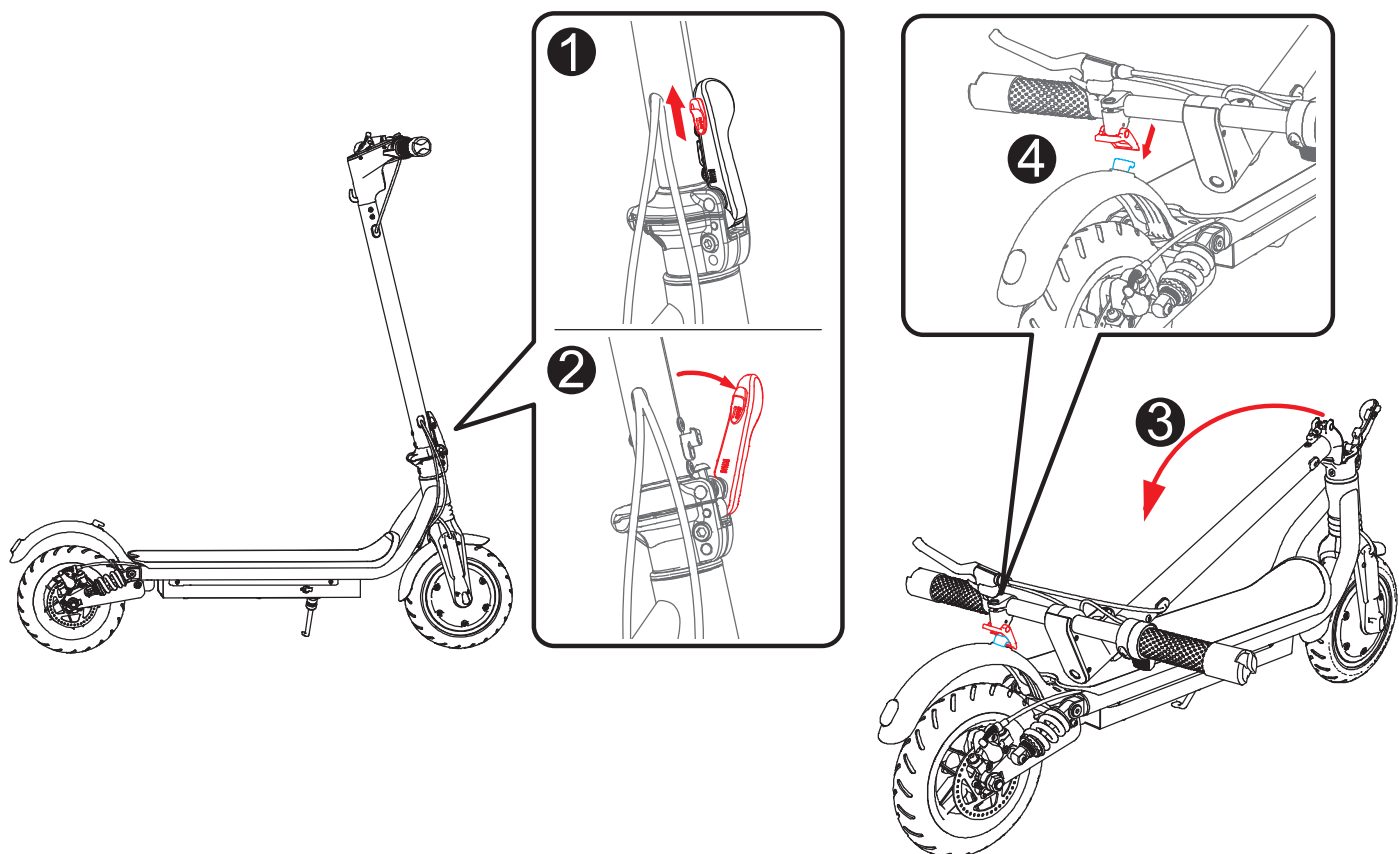


EN Raise the stem to the riding position and close the folding latch until you hear a click.



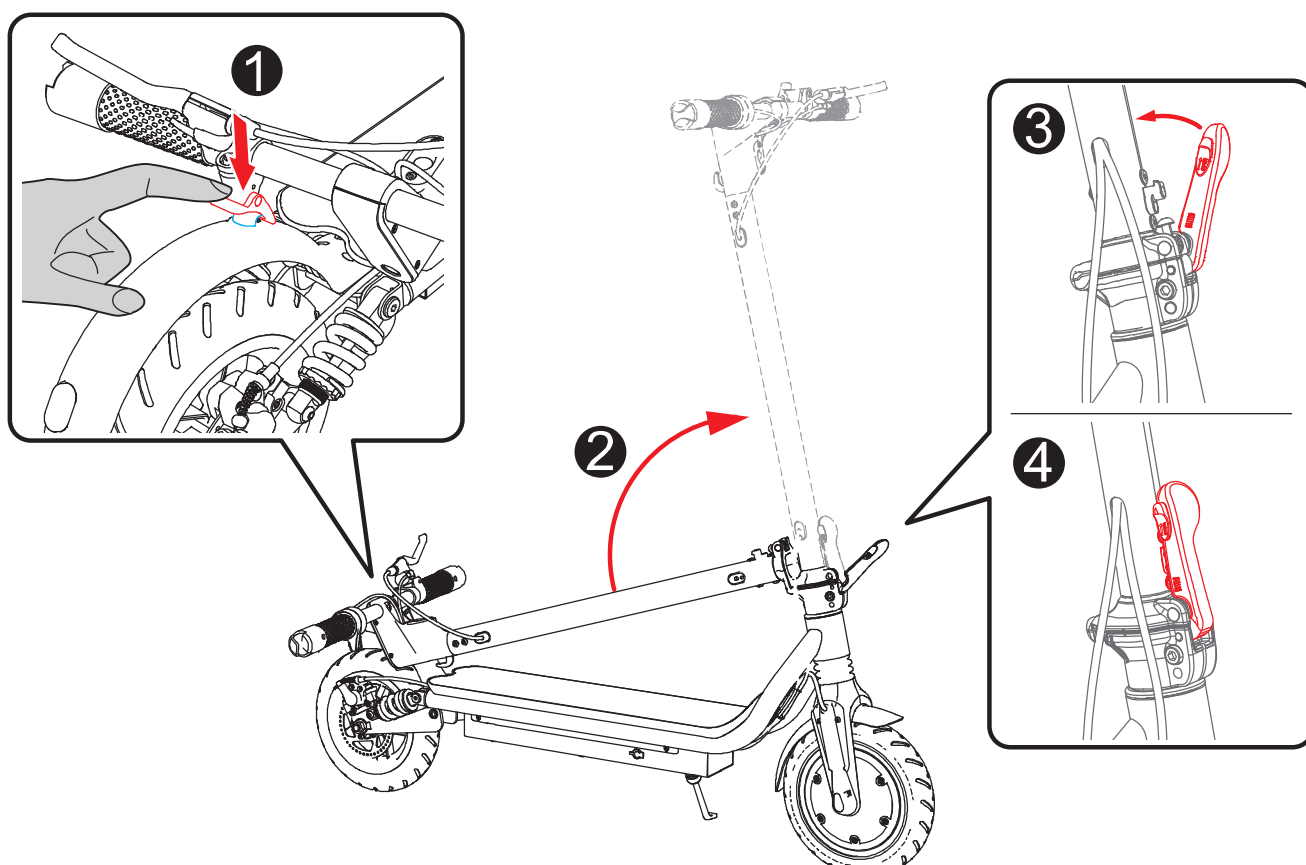
EN Connect the handlebar assembly to the stem, pre-tighten all four bolts, then tighten them with the supplied hex wrench.

● Folding / Pliage / Plegado / Zusammenklappen / Piegare / Składanie



EN Turn the scooter off, open the folding latch, fold down the stem so that the hook on the rear fender catches the folding buckle on the handlebar.

• **Unfolding / Dépliage / Desplegado / Ausklappen / Aprire / Rozkładanie**



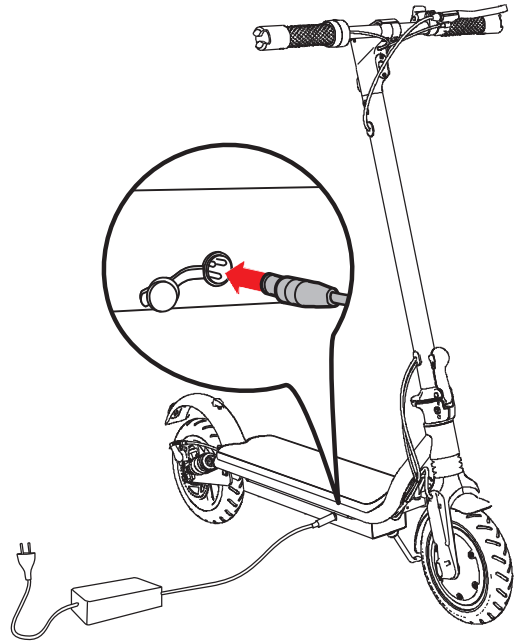
EN Press the folding buckle to release the handlebar from the rear fender and lift the stem to the riding position. Then close the folding latch until you hear a click.



About Charging / À propos du chargement / Acerca de la carga / Über das Aufladen / Informazioni sulla ricarica / Informacje o ładowaniu

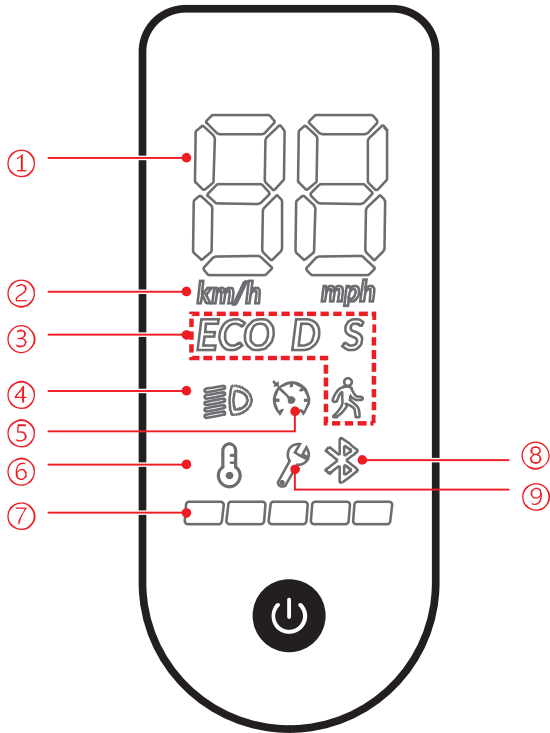
EN

- The scooter is fully charged when the charger indicator changes from red to green.
- With charging protection, the scooter will cut off charging automatically after a full charge. We still don't recommend charging it continuously for more than 24 hours.
- Keep the charging port cover closed when not charging.





Display / Afficher / Pantalla / Bildschirm / Schermo / Ekran



EN

- ① Real-Time Speed
- ② Speed Unit
- ③ Riding Mode
- ④ Headlight & Taillight
- ⑤ Cruise Control
- ⑥ Motor Overheating
- ⑦ Battery Level
- ⑧ App Connected
- ⑨ Error Code

Riding Mode / Mode de conduite / Modo de conducción / Fahrmodus / Modalità di guida / Tryb jazdy	Max Speed / Vitesse maximale / Velocidad máxima / Maximale Geschwindigkeit / Velocità massima / Prędkość maksymalna	
	European	North American
	6 km/h	6 mph (10km/h)
ECO	10 km/h	12 mph (20 km/h)
D	15 km/h	18 mph (30 km/h)
S	25 km/h	22 mph (35 km/h)

- **Error code / Code d'erreur / Código de error / Fehlercode / Codice di errore / Kod błędu**

EN If you see any error code listed below on the display, please contact the iScooter support team to remove it.

Codes	Definition
E10	Communication Fault / Défaut de communication / Fallo de comunicación / Fehler in der Kommunikation / Guasto di comunicazione / Błąd komunikacji
E14	Throttle Fault / Défaut d'accélérateur / Fallo del acelerador / Beschleuniger Störung / Guasto all'acceleratore / Usterka akceleratora
E15	Brake Lever Fault / Défaillance du levier de frein / Fallo de la palanca de freno / Störung des Bremshebels / Guasto alla leva del freno / Usterka dźwigni hamulca
E16	Motor Hall Sensor Fault / Défaut du capteur Hall du moteur / Fallo del sensor Hall del motor / Motor-Hall-Sensor-Fehler / Guasto del sensore di Hall del motore / Usterka czujnika Halla silnika
E50	Over-Voltage / Surtension / Sobretensión / Überspannung / Sovratensione / Przepięcie



Power Button / Bouton d'alimentation / Botón de encendido / Einschalttaste / Pulsante di accensione / Przycisk zasilania

EN

Turn On/Off

Press and hold the Power button to turn the scooter on/off.

Lights

Short press the Power button to turn on/off the headlight, taillight, and underbody light.

Riding Modes

Double-press the Power button to cycle through the four riding modes.

Speed Unit

Press the Power button three times to switch between km/h and mph.

Zero Start and Non-zero Start

Press the Power button four times to switch between zero start and non-zero start.

Cruise Control

Press the Power button five times to enable or disable cruise control.
(Enabled by default.)

Note:

- The scooter will automatically shut down if there is no operation for 10 minutes.
- When cruise control is turned on, keep a speed for 5 seconds and the scooter will move forward at this speed without applying the throttle.



Specifications / Spécifications / Especificaciones / Spezifikationen / Specifiche tecniche / Specyfikacje

Model / Modèle / Modelo / Modell / Modello / Model	W8
Unfolded Size / Taille dépliée / Tamaño desplegado / Größe ausgeklappt / Dimensioni non piegate / Rozmiar po rozłożeniu	1100 x 450 x 1135 mm (43.3 x 17.7 x 44.7 in)
Folded Size / Taille pliée / Tamaño plegado / Gefaltete Größe / Dimensioni piegate / Rozmiar po złożeniu	1100 x 450 x 480 mm (43.3 x 17.7 x 18.9 in)
Weight / Poids / Peso / Gewicht / Peso / Waga	16.1 kg (35.5 lbs)
Battery Capacity / Capacité de la batterie / Capacidad de la batería Batteriekapazität / Capacità della batteria / Pojemność baterii	7.8 Ah
Motor Power / Puissance du moteur / Potencia del motor / Motorleistung / Potenza del motore / Moc silnika	350 W
Wheel / Roue / Rueda / Rad / Ruota / Kolo	8.5 in. Pneumatic Road Tyres
Range / Autonomie / Autonomía / Bereich / Autonomia / Zakres	15-18 miles (25-30 km) *
Max Load Capacity / Capacité de charge maximale / Capacidad de carga máxima / Maximale Tragfähigkeit / Capacità di carico massima / Maksymalne obciążenie	120 kg (264 lbs) *
Recommended Age / Âge recommandé / Edad recomendada Empfohlenes Alter / Età consigliata / Zalecany wiek	14+
Operating Temperature / Température de fonctionnement / Temperatura de funcionamiento / Betriebstemperatur / Temperatura di esercizio / Temperatura pracy	-2 - 35 °C (28.4 - 95°F)
Charger Input / Entrée du chargeur / Entrada del cargador / Ladegerät Eingang / Ingresso caricabatterie / Wejście ładowarki	AC 100~240 V, 50/60 Hz
Charger Output / Sortie du chargeur / Salida del cargador/ Ladegerät Ausgang / Uscita del caricatore / Wyjście ładowarki	54.6V, 2.5A
Charging Time / Temps de charge / Tiempo de carga / Aufladezeit / Tempo di ricarica / Czas ładowania	5-6 h

- * About the range: Measured under the condition of an 100% battery level, a load of 70kg (154bs), and a speed of 15km/h (9mph). The range will differ depending on different factors, such as load, humidity, wind speed, and operation habits.
- * The structure of this scooter is designed to support a maximum 120kg (264lbs) load. For the best riding experience, 70% of the maximum load is recommended.

This device complies with part 15 of the FCC Rules. Operation is subject to the following two conditions: (1) This device may not cause harmful interference, and (2) this device must accept any interference received, including interference that may cause undesired operation.

NOTE: This equipment has been tested and found to comply with the limits for a Class B digital device, pursuant to Part 15 of the FCC Rules. These limits are designed to provide reasonable protection against harmful interference in a residential installation. This equipment generates, uses and can radiate radio frequency energy and, if not installed and used in accordance with the instructions, may cause harmful interference to radio communications. However, there is no guarantee that interference will not occur in a particular installation. If this equipment does cause harmful interference to radio or television reception, which can be determined by turning the equipment off and on, the user is encouraged to try to correct the interference by one or more of the following measures:

- Reorient or relocate the receiving antenna.
- Increase the separation between the equipment and receiver.
- Connect the equipment into an outlet on a circuit different from that to which the receiver is connected.
- Consult the dealer or an experienced radio/TV technician for help.

Changes or modifications not expressly approved by the party responsible for compliance could void the user's authority to operate the equipment.

The device has been evaluated to meet general RF exposure requirement. The device can be used in portable exposure condition without restriction.






Install the "X-Scooter" App

Download the app:
Scan the QR code.
Or search "X-Scooter" on the App Store
(iOS) or Google Play Store (Android).




Customer Service:

Contact us if you experience issues relating to riding, maintenance and safety, or errors / faults with your electric scooter.




US

 www.iscooterglobal.com
 support@iscooterglobal.com
 +1 888 4968123




UK

 www.iscooterglobal.co.uk
 support@iscooterglobal.co.uk
 +44 1888 785356

FR

 www.ihoverboard.fr
 support@ihoverboard.com
 +33 805980335

DE

 www.iscooterglobal.de
 support@iscooterglobal.de
 +49 800 0003728

MANUFACTURER:

Shenzhen Xincheng Times Technology Co.,Ltd
Add:104-105, Block C, Donghai Wang Building, No.369 Bulong Road,
Ma'antang Community, Bantian Street, Longgang District, Shenzhen

EU **REP**

Tiger-Zhou UG (haftungsbeschränkt)
Handelsregister: Leipzig HRB 37896
Add: Shukowstr. 6,04347 Leipzig, Deutschland
Email: Tiger-Zhou@web.de
Tel:+49 1521 6791470