



DONGGUAN SLEing INTEL-TECH CO.,LTD

SPECIFICATION APPROVAL SHEET

CUSTOMER : \_\_\_\_\_

CUS PART NO : \_\_\_\_\_ REV : X3

SPECIFICATION : 2.4-2.5/5.15-5.85GHz :  
WIFI MAIN Antenna L=250mm(Ø1.13+MHF ) weight : \_\_\_\_\_

SUP PART NO : SLEingB243430260

DATE : 2024.03.29 ;

SUP APPROVED

APPROVED	Structure audit	RF CHECKED	QA CHECKED	DESIGNED
<i>Jockey</i>	<i>Jerry</i>	<i>LSY</i>	<i>LSY</i>	<i>Jerry</i>



CUS APPROVED

APPROVED	CHECKED	QA CHECKED	承办 DESIGNED

DONGGUAN SLEing INTEL-TECH CO.,LTD

Room 402, No. 6 Plant, Accelerator of Modern Enterprise, No, 24 Industry East Road  
Songshanlake District, Dongguan City, Guangdong Province, China.

Tel: +86-076989208968

Fax: +86-0769-89208969

[www.sleing.com](http://www.sleing.com)





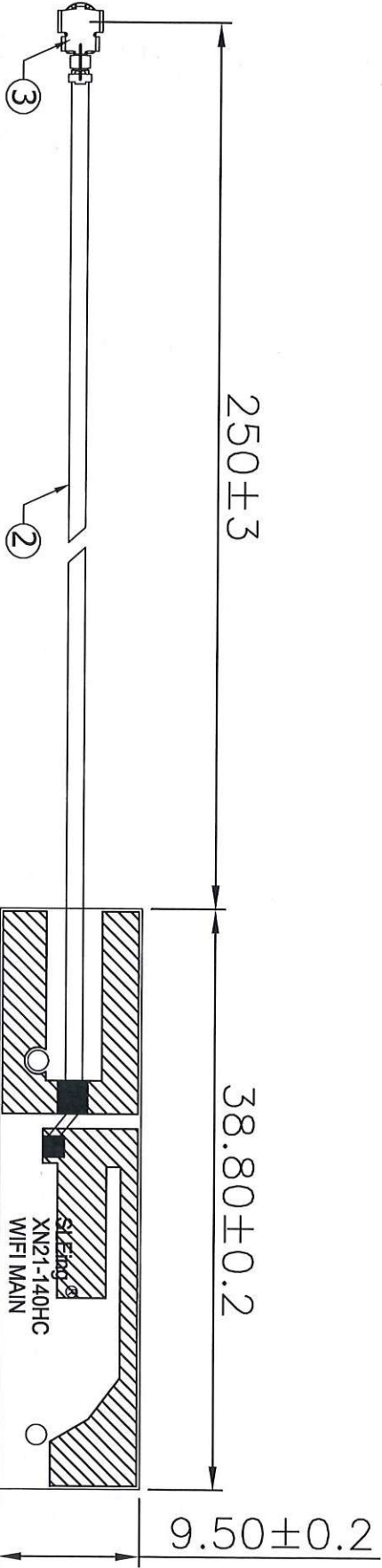
(Spec Item )

(NO.)	(Project)	(Remark)	(Page)
1	(Spec Cover)		1
2	(MODIFICATION RECORD SHEET)		2
3	(Spec Item )		3
4	(Drawing)		4
5	(Test Reports )		5
6	(Antenna assembly diagram)		6
7	(S Parameter Test)		7
8	(Test Setup)		8
9	(Test Efficiency)		9

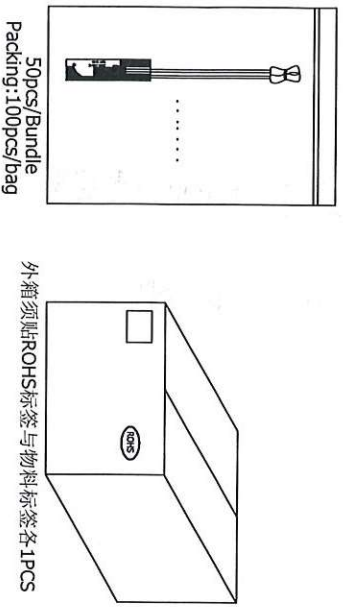
Give clear indication of:

1. The contents of the acknowledgement shall be arranged in order according to the items in the check sheet.
2. The number of copies of the acceptance letter shall be printed according to the customer's requirements, and the SGS report shall be stamped with the engineering seal.
3. All materials shall be confirmed by the customer. Any material/process/changes that may affect product quality and environmental quality must be re-sent to the customer for confirmation before import.
4. SGS report is valid for one year.
5. According to the contents attached to the actual acknowledgement, check the check form: "Yes" is provided, "no" is provided according to customer requirements.

REV.	CONTENT	DATE
X1	First Sample	2023.11.25
X2	增加线长	2024.03.21
X3	天线外形, 线路及线长变更	2024.03.29



Specification:  
 Frequency Rang:2.4~2.5/5.15~5.85GHZ(带机测试)  
 Return Loss:-10dB or less  
 VSWR:1.92 Max



NO	PART NAME	DESCRIPTION	REMARK	Q'TY
3	Connector	MHF Plug for $\Phi 1.13$ Cable (LJ)	第四代端子	1
2	Cable	$\Phi 1.13$ mm Coaxial Cable Black(低损耗),50 $\Omega$		1
1	FPCB	FPCB,L38.8*W9.5*T0.2mm,Color:Black	300LSE Adhesive	1
8	PART NAME	DESCRIPTION	REMARK	Q'TY

		<b>SLEing® 森岭</b> 东莞市森岭智能科技有限公司 DONGGUAN SLEing INTEL-TECH CO., LTD	
UNIT:mm	ANGLES $\pm 0.5^\circ$	X. $\pm 0.3$	
SHEET: 1/1	SCALE: 1/1	XX. $\pm 0.5$	XXX. $\pm 2.0$
TOLERANCE UNLESS OTHERWISE SPECIFIED		CUSTOMER	
SIZE		PART NO	
DRAWN		TITLE	
CHECKED		S.L.P/NO	
APPROVED		TITLE	
		SLEingB243430260	
		WIFI MAIN ANTENNA	

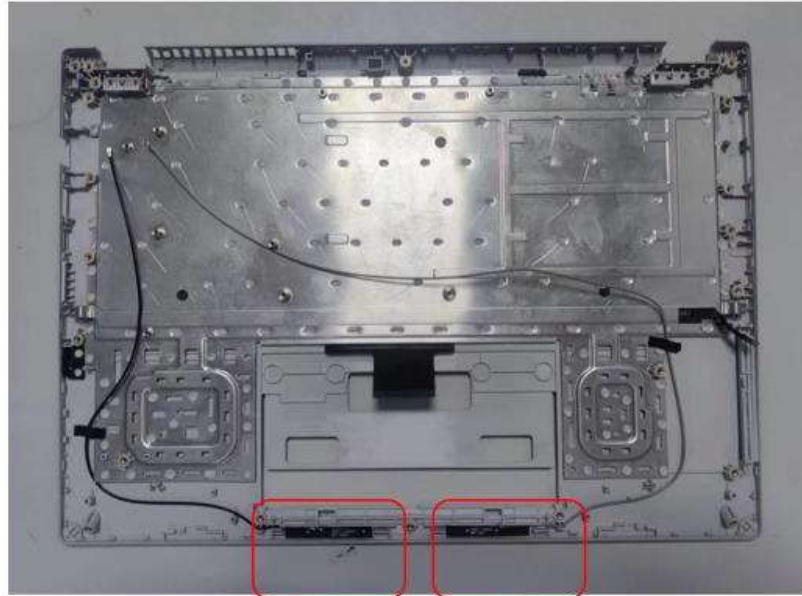
A4  
 Terry  
 2024.03.29  
 工程部  
 2024.3.29

**Test Reports**

<b>Electrical Properties</b>	
Frequency	2400-2500/5150-5850 MHz(带机测试)
Impedance	50 Ohm Nominal
V.S.W.R	$\leq 1.98$
Return Loss	-10dB Max
Radiation	Omni-directional
Gain (Peak)	2.4G:4.48 dBi/5.8G:4.73 dBi/7.15G:4.94dBi
Polarization	Linear, Vertical
Admitted Power	2 W
Connector	MHF
<b>Physical Properties</b>	
Antenna Material	FPCB
Cable Type	$\Phi 1.13$ mm Black
Operating Temp	-40°C -85°C
Storage Temp.	-5°C -30°C

### Antenna assembly diagram

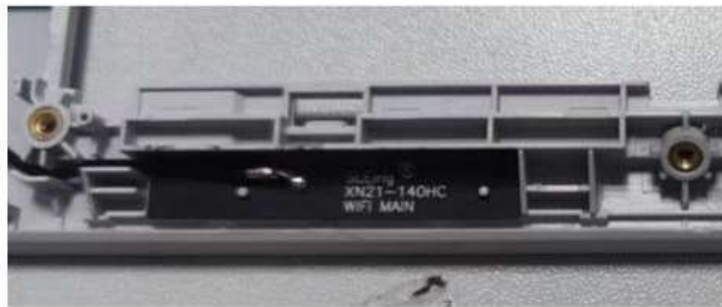
Device



WiFi Main

WiFiAUX.

Antenna



WiFi Main.



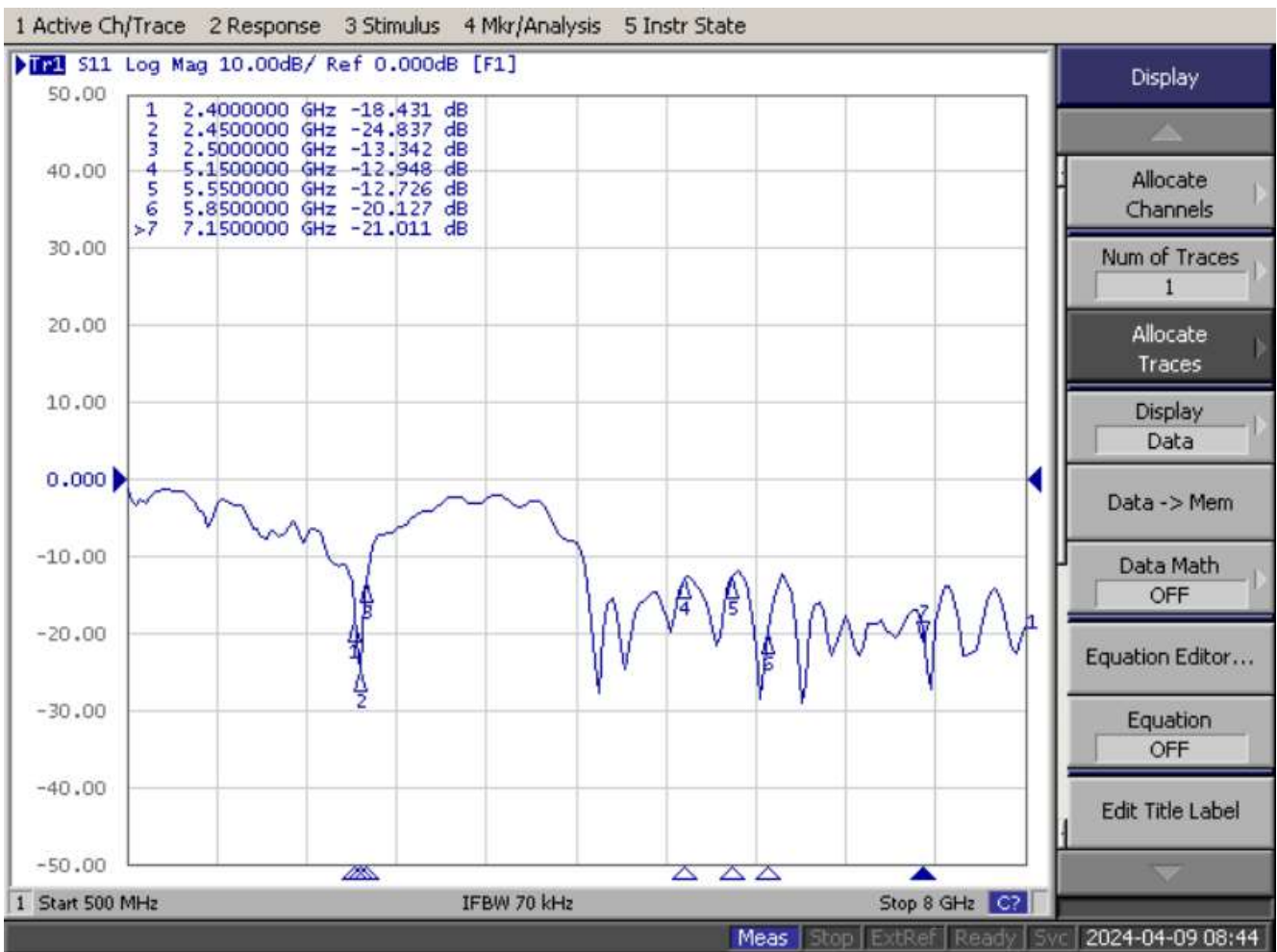


## S Parameter Test

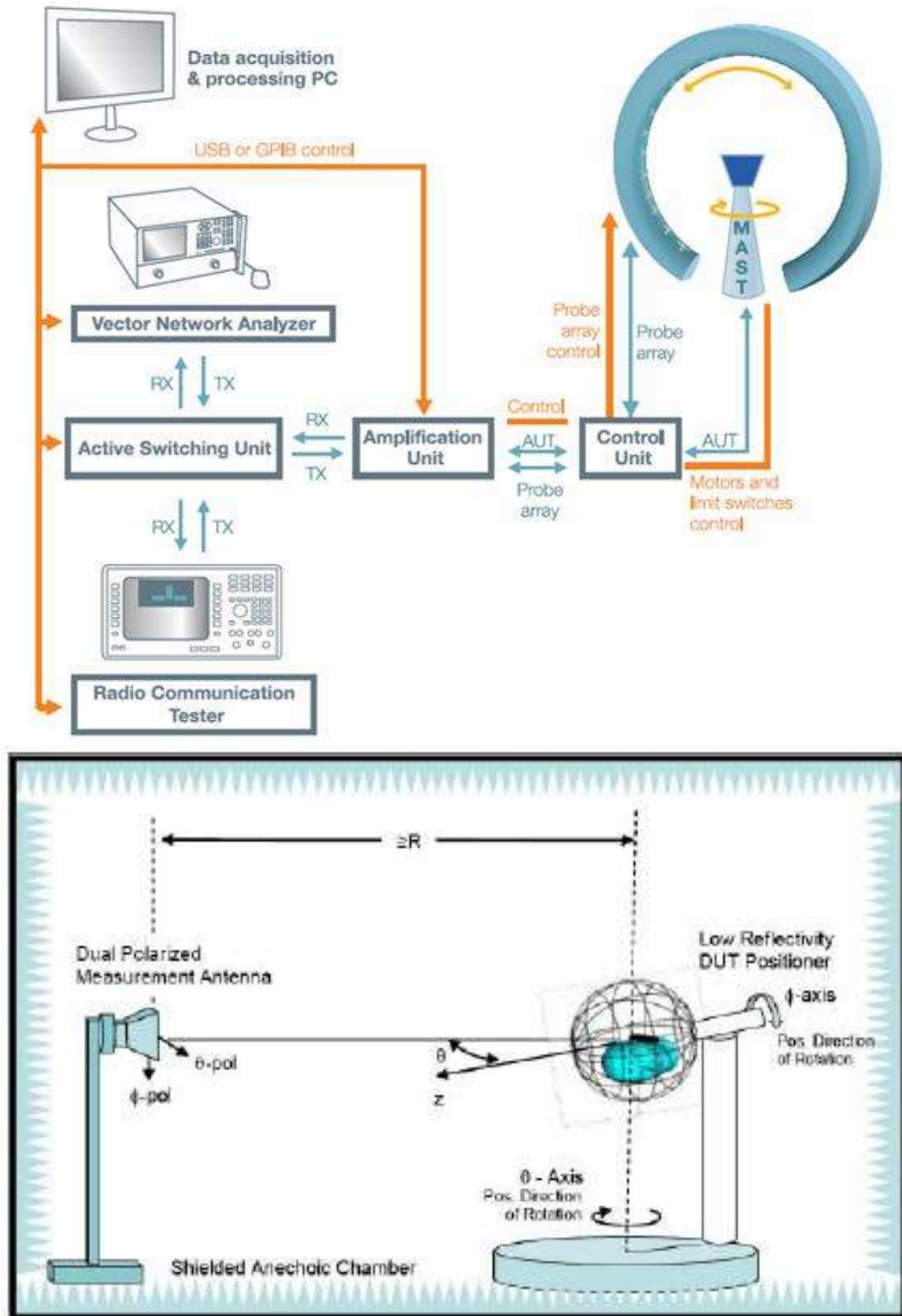
Agilent E5071C Network Analyzer



WIFI Antenna (Return Loss)



## Test Setup







DONGGUAN SLEing INTEL-TECH CO., LTD

## Test Efficiency

Frequency ID	1	2	3	4	5	6	7	8	9	10	11
Frequency (MHz)	2400	2410	2420	2430	2440	2450	2460	2470	2480	2490	2500
Efficiency (dBi)	-2.00	-1.79	-1.71	-1.70	-1.60	-1.68	-1.86	-2.07	-2.21	-2.52	-2.64
Gain (dBi)	4.19	4.15	4.29	4.38	4.39	4.48	4.45	4.16	3.90	3.94	3.80
Efficiency (%)	63.03	66.15	67.40	67.58	69.24	67.89	65.17	62.09	60.13	55.98	54.44

12	13	14	15	16	17	18	19	20	21	22	23	24	25	26
5150	5200	5250	5300	5350	5400	5450	5500	5550	5600	5650	5700	5750	5800	5850
-2.80	-2.87	-2.46	-2.54	-2.67	-2.44	-2.56	-2.62	-2.88	-3.17	-2.77	-2.76	-2.61	-2.84	-2.97
4.16	3.89	3.91	3.90	4.39	4.48	4.58	4.42	4.26	4.36	4.50	4.73	4.67	4.72	4.46
52.46	51.70	56.79	55.76	54.02	57.06	55.45	54.65	51.55	48.23	52.85	53.02	54.83	51.95	50.51

27	28	29	30	31	32	33	34	35	36	37	38	39
5925	6025	6125	6225	6325	6425	6525	6625	6725	6825	6925	7025	7125
-3.05	-3.03	-2.33	-2.83	-2.51	-2.07	-2.63	-2.21	-2.83	-2.64	-2.87	-2.30	-2.55
3.47	3.20	4.47	4.24	4.94	3.86	4.40	4.50	4.27	3.79	3.80	4.66	4.06
49.49	49.82	58.46	52.15	56.13	62.04	54.61	60.17	52.07	54.39	51.70	58.83	55.60

# Product packaging specification

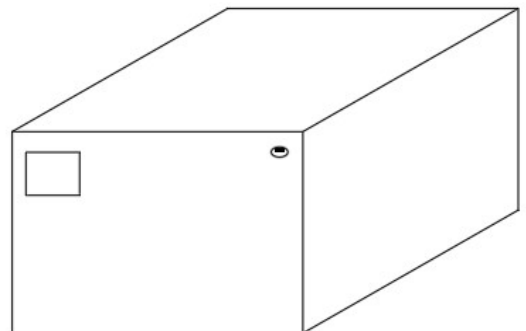
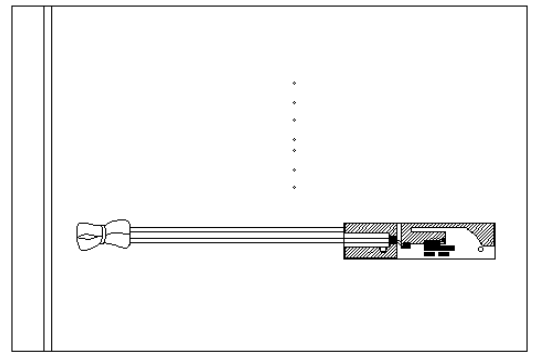
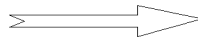
page:

1of1

Name of finished product	WIFI MAIN	customer	
Finished product number	SLEingB243430260	本 REV.	X3



单PCS天线



承办 DESIGNED		CHECKED		APPROVED	
----------------	--	---------	--	----------	--