



DONGGUAN SLEing INTEL-TECH CO.,LTD

SPECIFICATION APPROVAL SHEET

CUSTOMER

CUS PART NO

REV

X4

SPECIFICATION

2.4-2.5/5.15-5.85/7.15GHz
WIFI AUX Antenna L=378mm(Ø1.13+MHF)

单重:

weight

SUP PART NO

SLEingB243440360

DATE

2024.04.11

SUP APPROVED

APPROVED	结构审核 Structure audit	RF审核 RF CHECKED	品保审核 QA CHECKED	DESIGNED
Jackson 2024.4.11	Jerry	ZY	LSY	Jerry

CUS APPROVED

APPROVED	CHECKED	QA CHECKED	DESIGNED

DONGGUAN SLEing INTEL-TECH CO.,LTD

Room 402, No. 6 Plant, Accelerator of Modern Enterprise, No, 24 Industry East Road
Songshanlake District, Dongguan City, Guangdong Province, China.

Tel: +86-076989208968

Fax: +86-0769-89208969

www.sleing.com



DONGGUAN SLEing INTEL-TECH CO., LTD

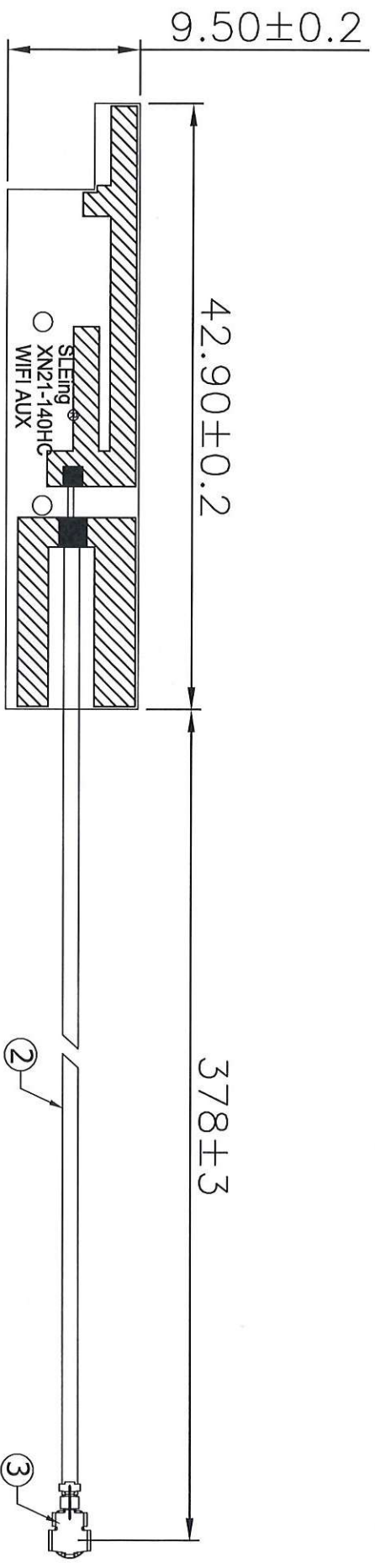
(Spec Item)

(NO.)	(Project)	(Remark)	(Page)
1	(Spec Cover)		1
2	(MODIFICATION RECORD SHEET)		2
3	(Spec Item)		3
4	(Drawing)		4
5	(Test Reports)		5
6	(Antenna assembly diagram)		6
7	(S Parameter Test)		7
8	(Test Setup)		8
9	(Test Efficiency)		9

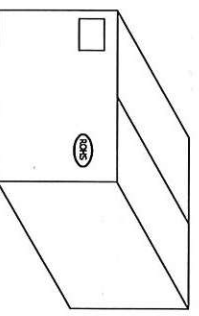
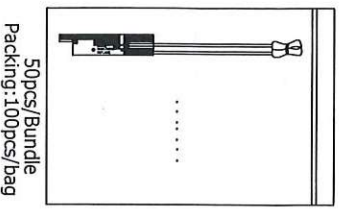
Give clear indication of:

1. The contents of the acknowledgement shall be arranged in order according to the items in the check sheet.
2. The number of copies of the acceptance letter shall be printed according to the customer's requirements, and the SGS report shall be stamped with the engineering seal.
3. All materials shall be confirmed by the customer. Any material/process/changes that may affect product quality and environmental quality must be re-sent to the customer for confirmation before import.
4. SGS report is valid for one year.
5. According to the contents attached to the actual acknowledgement, check the check form: "Yes" is provided, "no" is provided according to customer requirements.

REV.	CONTENT	DATE
X1	First Sample	2023.11.25
X2	增加线长	2024.03.21
X3	天线外形, 线路及线长变更	2024.03.29
X4	天线频段增加7.15G	2024.04.11



Specification:
 Frequency Rang:2.4~2.5/5.15~5.85/7.15GHZ(带机测试)
 Return Loss:-10dB or less
 VSWR:1.98 Max



NO	PART NAME	DESCRIPTION	REMARK	Q'TY
3	Connector	MHF Plug for $\Phi 1.13$ Cable (LJ)	第四代端子	1
2	Cable	$\Phi 1.13$ mm Coaxial Cable Grey(低损耗), 50 Ω		1
1	FPCB	FPCB, L42, 9*W9, 5*T0.2mm, Color:Black	300L SE Adhesive	1

SLEing® 森岭
 东莞市森岭智能科技有限公司
 DONGGUAN SLEing INTEL-TECH CO., LTD

TOLERANCE UNLESS OTHERWISE SPECIFIED	UNIT: mm	ANGLES $\pm 0.5^\circ$	X. ± 0.3
	SHEET: 1/1	0.XX ± 0.05	XX. ± 0.5
	SCALE: 1/1		XXX. ± 2.0

CUSTOMER	WIFI AUX ANTENNA
PART NO	
TITLE	
S.L P/NO	SLEingB243440360
SIZE	A4
DRAWN	Jerry
CHECKED	25
APPROVED	Jacquesy

8	7	6	5	4	3	2	1
---	---	---	---	---	---	---	---

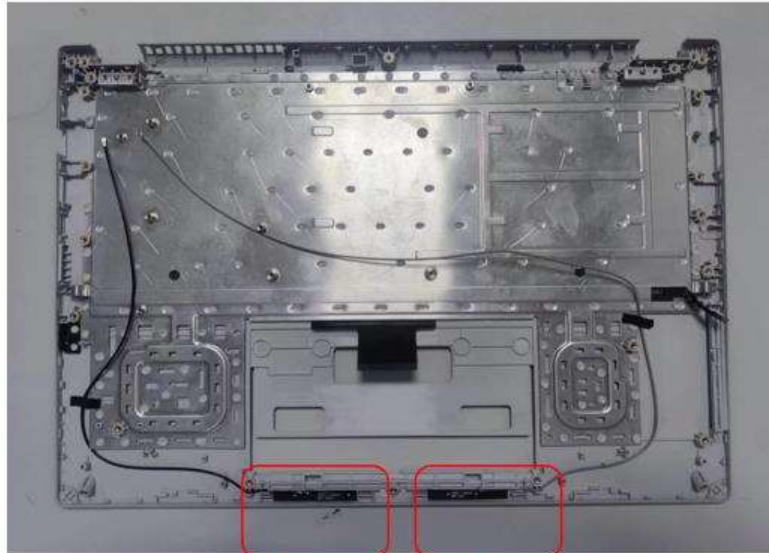


Test Reports

Electrical Properties	
Frequency	2400-2500/5150-5850 MHz
Impedance	50 Ohm Nominal
V.S.W.R	≤ 1.98
Return Loss	-10dB Max
Radiation	Omni-directional
Gain (Peak)	2.4G:4.09dBi / 5.8G:5.61dBi / 7.15G:4.48 dBi
Polarization	Linear, Vertical
Admitted Power	2 W
Connector	MHF
Physical Properties	
Antenna Material	FPCB
Cable Type	$\Phi 1.13\text{mm}$ Grey
Operating Temp	-40°C -85°C
Storage Temp.	-5°C -30°C

Antenna assembly diagram

Device



WiFi Main

WiFiAUX

Antenna



WiFiAUX

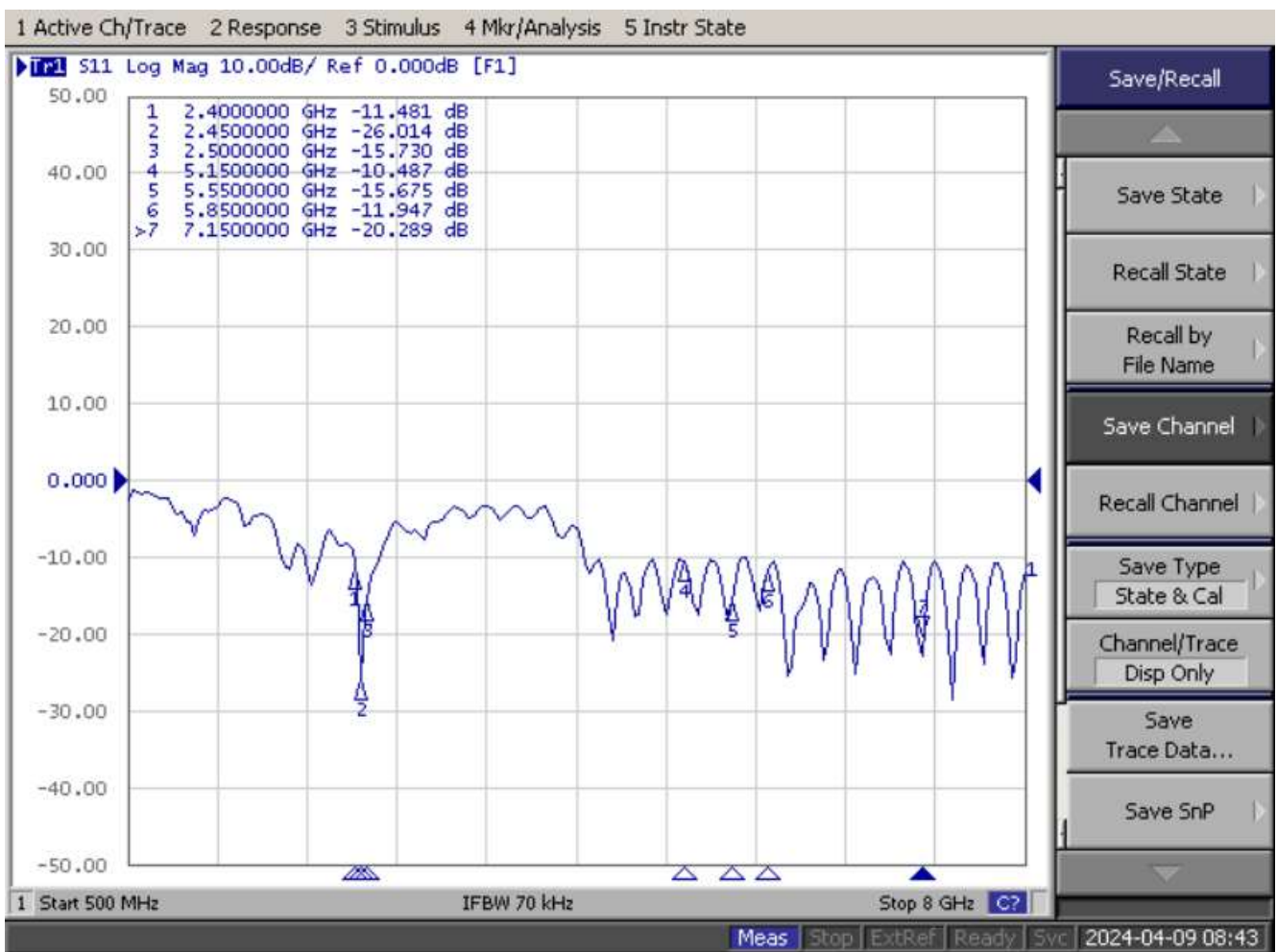


S Parameter Test

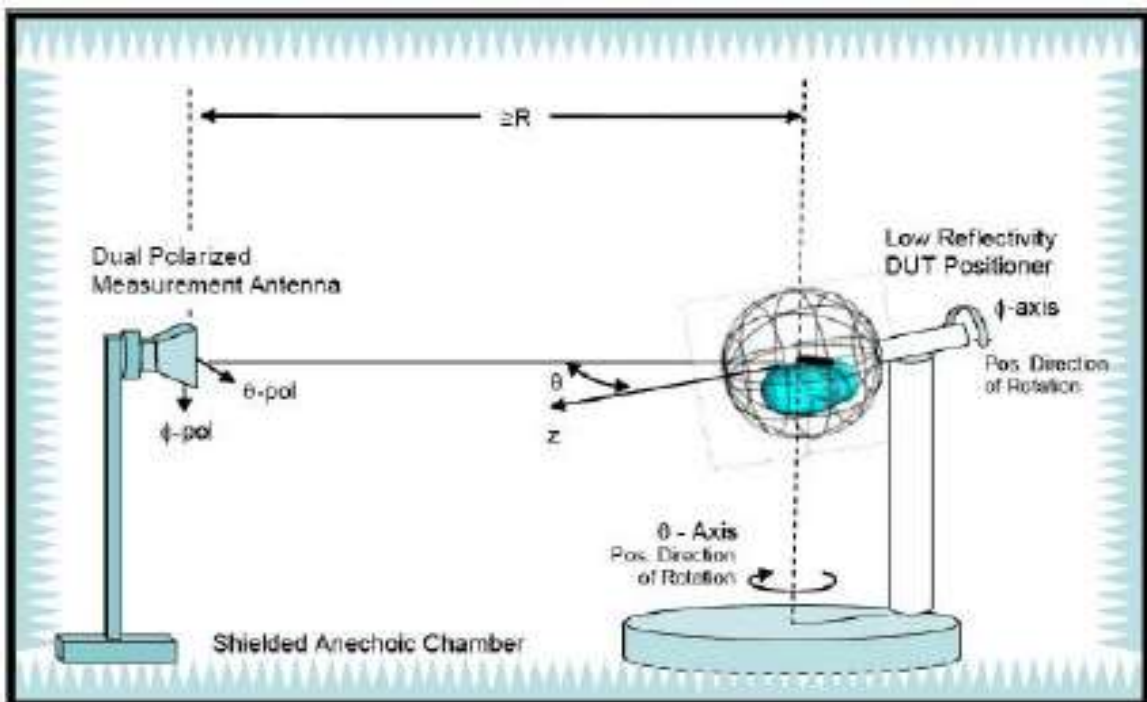
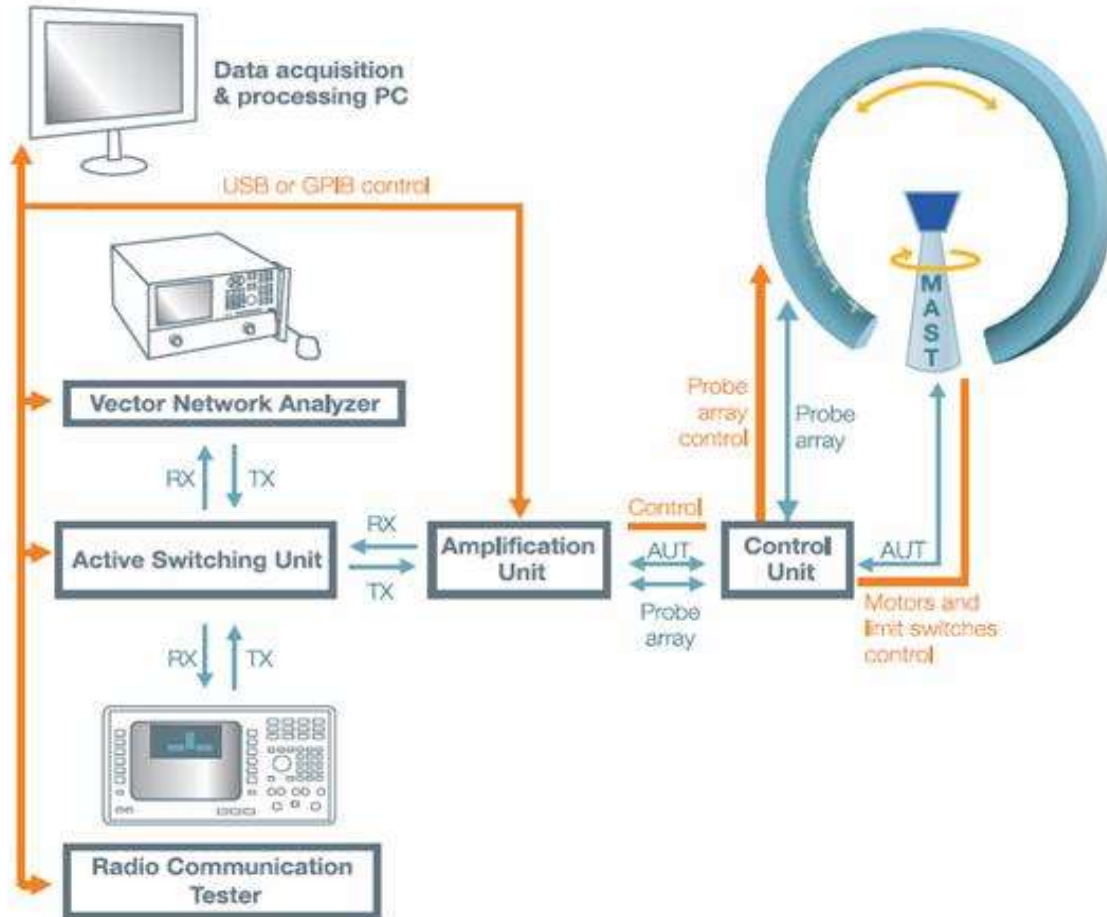
Agilent E5071C Network Analyzer



WIFI Antenna (Return Loss)



Test Setup





Test Efficiency

Frequency ID	1	2	3	4	5	6	7	8	9	10	11
Frequency (MHz)	2400	2410	2420	2430	2440	2450	2460	2470	2480	2490	2500
Efficiency (dBi)	-3.75	-3.50	-3.44	-3.36	-3.11	-3.03	-3.00	-2.96	-2.78	-2.69	-2.46
Gain (dBi)	2.52	2.51	2.60	2.69	3.35	3.61	3.36	3.40	3.32	3.77	4.09
Efficiency (%)	42.16	44.71	45.30	46.09	48.86	49.75	50.10	50.55	52.72	53.77	56.70

12	13	14	15	16	17	18	19	20	21	22	23	24	25	26
5150	5200	5250	5300	5350	5400	5450	5500	5550	5600	5650	5700	5750	5800	5850
-2.98	-3.28	-3.30	-3.36	-3.14	-2.53	-2.83	-3.38	-3.92	-4.04	-3.36	-3.54	-3.78	-3.81	-3.50
3.68	3.89	3.94	4.51	5.10	5.61	4.25	3.92	3.75	3.99	4.71	4.70	4.77	4.75	5.17
50.30	47.00	46.79	46.15	48.58	55.87	52.06	45.87	40.53	39.42	46.11	44.21	41.84	41.61	44.66

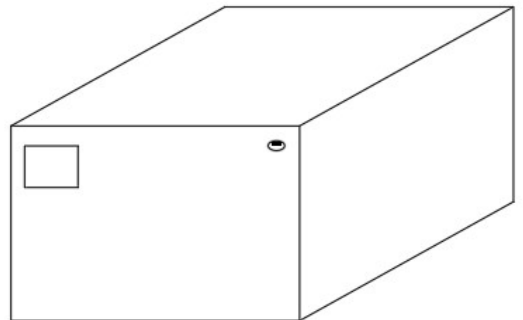
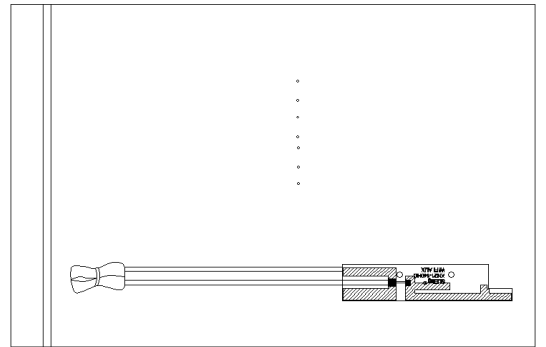
27	28	29	30	31	32	33	34	35	36	37	38	39
5925	6025	6125	6225	6325	6425	6525	6625	6725	6825	6925	7025	7125
-3.77	-3.18	-2.96	-3.29	-3.01	-3.19	-3.23	-2.78	-3.56	-3.26	-3.84	-3.30	-3.37
3.24	3.07	4.24	3.09	3.73	3.49	4.48	3.29	4.23	3.88	4.13	3.42	3.58
41.95	48.11	50.63	46.89	50.05	47.92	47.50	52.74	44.09	47.19	41.29	46.78	46.00

Product packaging specification

page:

1of1

Name of finished product	WIFI Aux	customer	
Finished product number	SLEingB243440360	REV.	X3



DESIGNED	CHECKED		APPROVED	
----------	---------	--	----------	--