

TCL

3.1.2 Channel B&O Sound Bar with
Wireless Subwoofer

Q60H

User Manual



Contents

1 Before you begin	4
---------------------------------	----------

2 Welcome.....	4
What's in the box	4
Overview	5
Soundbar	5
Subwoofer	5
Set up your Soundbar system	6
Position your Soundbar and Subwoofer.....	6
Mount your Soundbar on the wall	6
Mount your Soundbar on moveable floor stand	7

3 Connect your Soundbar system	8
Connect your Soundbar to power supply.....	8
Connect the Soundbar with your Bluetooth device.....	8
Connect your wireless Subwoofer to the Soundbar.....	9

4 Use your Soundbar system	9
Use your Soundbar with the top panel	9
Listen to music from your Bluetooth device	10
Use the USB cable or device for music playback	10
Wireless TV TX	10

5 Specifications	11
-------------------------------	-----------

6 Notice	12
Disposal of your old product and battery	12
Trademarks	12



7 FAQ	13
--------------------	-----------

Important safety instructions

Make sure you read all the safety information before you use this product.

TCL ELECTRONICS AUSTRALIA PTY LTD bears no responsibility for accidents or damages caused by unauthorized changes, modifications or improper use of the product.

User Manual can be found at www.tcl.com/au on the specific product page in the “Download” section.

	RISK OF ELECTRIC SHOCK DO NOT OPEN	
CAUTION: TO REDUCE THE RISK OF ELECTRIC SHOCK, DO NOT REMOVE COVER (OR BACK). NO USER-SERVICEABLE PARTS INSIDE. REFER SERVICING TO QUALIFIED SERVICE PERSONNEL.		



The lightning flash with arrowhead symbol, within an equilateral triangle is intended to alert the user to the presence of uninsulated dangerous voltage within the product’s enclosure that may be of sufficient magnitude to constitute a risk of electric shock.



The exclamation point within an equilateral triangle is intended to alert the user to the presence of important operating and maintenance (servicing) instructions in the literature accompanying the product.



This symbol indicates that this product incorporates double insulation between hazardous main voltage and user accessible parts. When servicing, use only identical replacement parts.

Warnings

- To reduce the risk of fire or electric shock, do not expose this product to rain or moisture. This product should not be exposed to dripping or splashing. No objects filled with liquids, such as vases, should be placed on or near the product.
- The product is unstable if it is not properly placed or mounted to the wall. Be sure to follow the wall mounting instructions provided in the user manual to ensure your safety.
- Do not expose batteries to excessive heat such as sunshine, fire, and so forth.
- To avoid the danger of suffocation, keep plastic packaging away from pets, babies, and children. Do not use packaging bags in cribs, beds, carriages, or playpens.

Safety

- **Read these instructions** - Read all the safety and operating instructions before operating the product.
- **Retain these instructions** - Retain the safety and operating instructions for future reference.
- **Heed all warnings** - Adhere to all warnings on the product and in the operating instructions.
- **Follow all instructions** - Follow all operating and use instructions.
- **Do not use this apparatus near water** - The appliance should not be used near water or moisture – for example, in a wet basement or near a swimming pool and the like.
- **Clean only with a dry cloth.**
- **Do not block any ventilation openings.** Install in accordance with the manufacturer’s instructions.
- **Do not install near any heat sources** such as radiators, heat registers, stoves, or other apparatus (including amplifiers) that produce heat.
- **Do not defeat the safety purpose** of the polarized or grounding-type plug. A polarized plug has two blades with one wider than the other. A grounding type plug has two blades and a third grounding prong. The wide blade or the third prong are provided for your safety. If the provided plug does not fit into your outlet, consult an electrician for replacement of the obsolete outlet.
- **Protect the power cord** from being walked on or pinched particularly at plugs, convenience receptacles, and the point where it exits from the product. If the cord set is damaged, it must be replaced by a special cord set available from the manufacturer or its service agent.
- **Use only attachments/accessories** specified by the manufacturer.
- **Use only with the cart,** stand, tripod, bracket, or table specified by the manufacturer, or sold with the apparatus.

- **Unplug this apparatus** during lightning storms or when unused for long periods of time.
- **Refer all servicing** to qualified service personnel. Servicing is required when the apparatus has been damaged in any way, such as power-supply cord or plug damaged, liquid has been spilled or objects have fallen into the apparatus, the apparatus has been exposed to rain or moisture, does not operate normally, or has been dropped.
- **This appliance is** not intended for use by young children or infirm persons without supervision. Young children should be supervised to ensure that they do not play with the appliance.
- **The user must maintain** a minimum distance of 20CM from the device at all time.
- **This appliance is not intended** for use by young children or infirm persons without supervision. Young children should be supervised to ensure that they do not play with the appliance.



Cautions

- To prevent electric shock, match wide blade of plug to wide slot, fully insert.
- Do not place any sources of danger on the product (for example: liquid filled objects, lighted candles).
- Disconnect the power cord to shut off when find trouble or not in use. The power cord shall be readily operable.
- Use of controls or adjustments or performance of procedures other than those described herein, may result in hazardous radiation exposure or other unsafe operation.
- The power cord/appliance coupler is used as the disconnect device, the disconnect device must remain readily operable.
- The rating label is located at the bottom or back of the product.
- The use of apparatus in tropical and moderate climates.

Battery precautions

- Do not mix batteries (old and new or carbon and alkaline).
- Do not dispose of batteries in fire or water.
- Recycle or dispose of batteries as per state and local guidelines.
- Danger of explosion if battery is incor rectly replaced. Replace only with the same or equivalent type.
- When the remote control is not to be used for a long time (more than a month), remove the battery from the remote control to prevent it from leaking.
- If the batteries leak, wipe away the leakage inside the battery compartment and replace the batteries with new ones.
- Keep away the batteries from heat or moisture.
- Do not carry or store batteries with other metallic objects. Doing so could cause batteries to short ci rcuit, leak or explode.
- Never recharge a battery unless it is confirmed to be a rechargeable type.
- If the battery compartment does not close securely, stop using the product and keep it away from children.

Disposal of your old product and battery

Your product is designed and manufactured with high quality materials and components, which can be recycled and reused.

This product may contain lead and mercury. Disposal of these materials may be regulated due to environmental considerations. For disposal or recycling information, please contact your local authorities.

This product contains batteries:

- Do not incinerate. Batteries may explode if overheated.
- For disposal or recycling information, please contact your local authorities.

CAUTION: Risk of explosion if the battery is replaced by an incorrect type.

CAUTION: Replacement of a battery with an incorrect type that can defeat a safeguard.

CAUTION: Disposal of a battery into fire or a hot oven, or mechanically crushing or cutting of a battery, that can result in an explosion.

CAUTION: Leaving a battery in an extremely high temperature surrounding environment that can result in an explosion or the leakage of flammable liquid or gas.

CAUTION: A battery subjected to extremely low air pressure that may result in an explosion or the leakage of flammable liquid or gas.

1 Before you begin

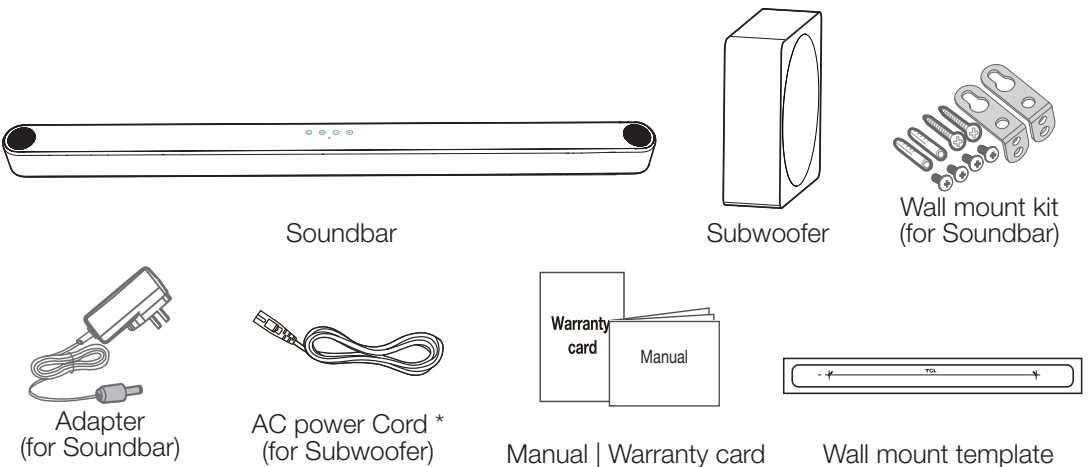
- Carefully read and observe all safety instructions in the safety leaflet.
- This Soundbar is intended for indoor use only. In case it accidentally gets in contact with small amounts of water, unplug immediately and use a dry cloth to remove the water.
- Unplug the Soundbar if it is not used for long periods of time or during lightning storms.
- Make sure the Soundbar is installed on a solid surface or solidly wall-mounted below your TV for the best experience.
- In case any of the cables are visibly damaged or pinched, unplug the Soundbar and replace the cable.
- Be careful not to sharply bend the HDMI and optical cable as they may affect the performance.
- Protect your hearing by adjusting to a proper volume. Predefined and customizable sound settings are available for your listening comfort.

2 Welcome

Congratulations on the purchase of your new TCL Soundbar! After it is set up and connected, you can experience a superb sound quality and state-of-the-art design to best fit your home entertainment system. You are recommended to read through this user manual which helps you set up, connect and operate the product easily and properly.

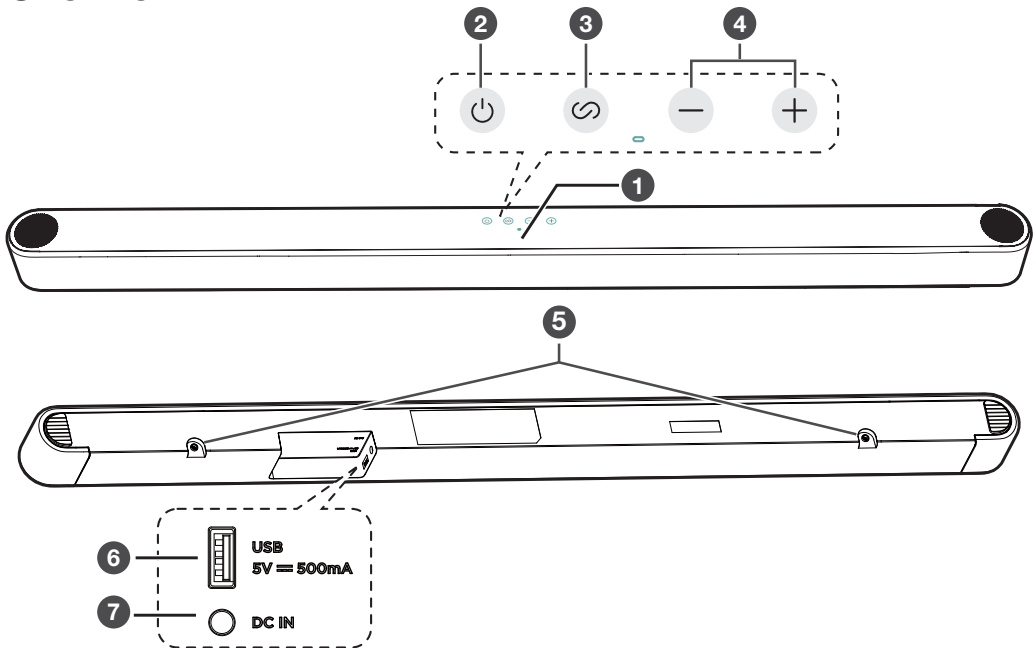
Let's get started.

What's in the box



Images, illustrations and drawings shown on this User Manual are for reference only. If there is any difference between the actual and the instructions, the actual shall prevail.

Overview

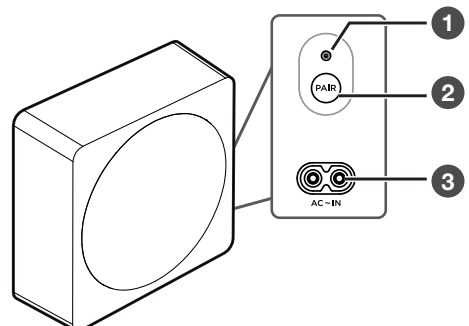


Soundbar

- 1 **Input Source LED Indicator**
 Wireless (TV TX) : Light blue
 Bluetooth : Blue
 USB : Green
- 2 **⏻ (On/Off) Button**
 Short press: Power on / sleep
 Long press: Power off
- 3 **⌂ (Source/pairing) Button**
 Short press: Switch input sources:
 BT --> USB --> Wireless (TV TX)
 Long press: In wireless mode to enter the TV TX pairing. In bluetooth mode to enter the bluetooth pairing.
 (If Subwoofer disconnected, long press ⌂ + VOL+ Enter Subwoofer pairing)
- 4 **— / + Buttons**
 Press to increase or decrease the volume level
- 5 **Wall bracket slot**
- 6 **USB Type A connector**
- 7 **DC input power connector**

Subwoofer

- 1 **PAIR Indicator**
 Fast blink: Subwoofer in pairing mode
 Solid: Connected / Pairing successful
 Slow blink: Connecting / Standby
- 2 **PAIR Button**
 Press and hold to enter the pairing mode for the subwoofer, which is used for manual pairing only. (Don't press Pair button as bar and subwoofer would be paired automatically after the unit is switched ON).
- 3 **AC input power connector**

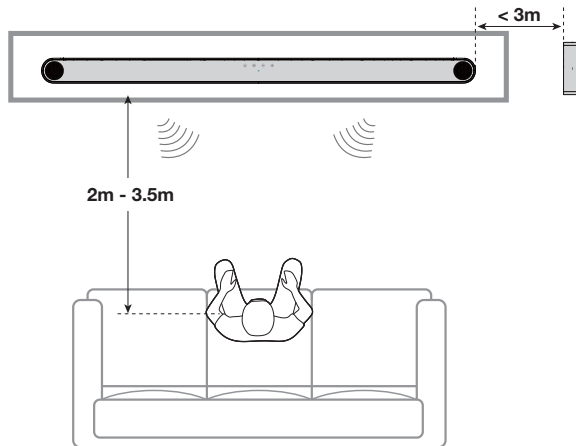


Set up your Soundbar system

Notes

- Make sure you read all the safety information before you mount the Soundbar on the wall.
- Make sure you use screws provided or specified by the authorized manufacturer.
- TCL AUSTRALIA bears no responsibility for accidents or damage caused by improper wall mounting and screws installation or insufficient wall strength, etc.
- Additional tools (not supplied) are required for installation.
- You can choose to place your Soundbar below the center of your TV or mount it on the wall.

Position your Soundbar and Subwoofer



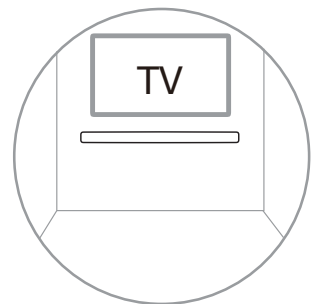
The ideal place to position the Soundbar is centered underneath your TV.

You are recommended to place the Soundbar on the top of the cabinet and right below the center of your TV.

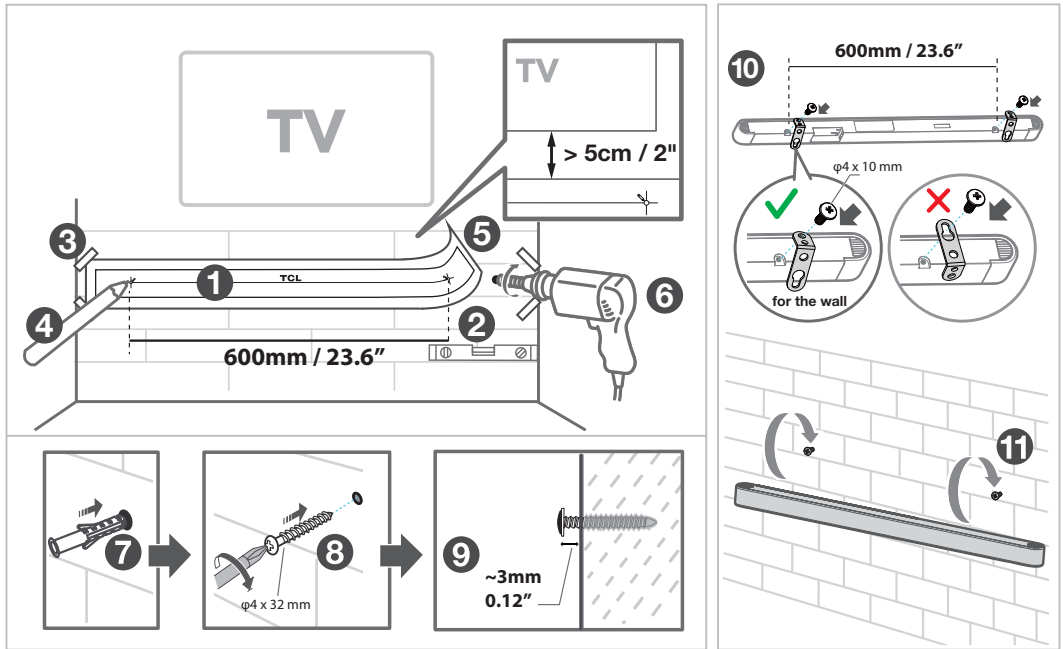
The distance between the Subwoofer and the Soundbar should be less than 3 meters.

Mount your Soundbar on the wall

- 1 Place the included wall mount template on the wall.
Make sure the wall mount template is at least 5cm below the center of the TV.
- 2 Use a level to make sure the wall mount template is positioned accurately.
- 3 Use the tape to stick the wall mount template firmly on the wall.
- 4 Mark on the wall using each marking on the template through the mounting holes.
- 5 Take away the wall mount template.
- 6 Drill screw holes at each marking on the wall.
- 7 Insert the wall anchors in the holes on the wall.
- 8 Insert the included screws with the brackets into the hole of the wall anchors.



- 9 Fix and tighten the wall brackets and screws on the Soundbar.
- 10 Attach the wall brackets (x2) into the back of the unit.
- 11 Pick up the Soundbar and attach it to the brackets, similar to how you would hang a picture. Make sure everything is tight.

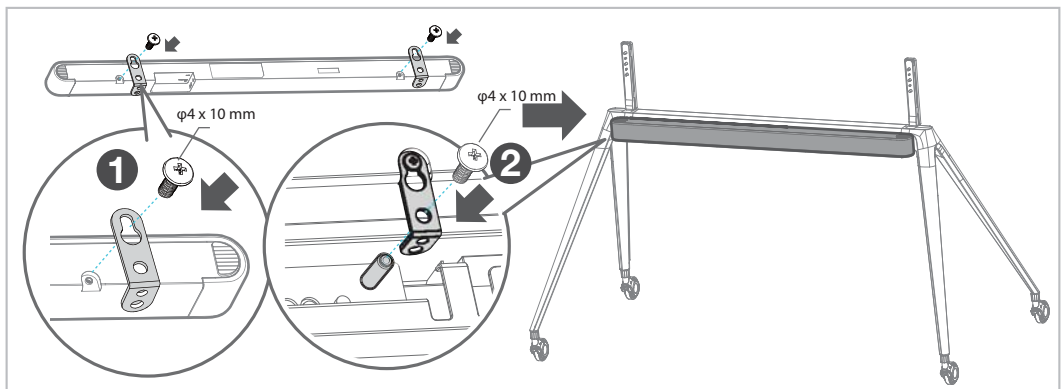


Notes

- Do not place your sound bar in a location exposed to direct sunlight, heat, fire, or moisture. Only suitable for mounting at heights: < 200cm

Mount your Soundbar on moveable floor stand

- 1 Slot a screw through the holes on the bracket (x2) and tighten the screws (x2) into the Soundbar.
- 2 Hang the soundbar on the moveable floor stand. Slot a screw through the holes on the bracket (x2) and tighten the screws (x2) into the moveable floor stand.

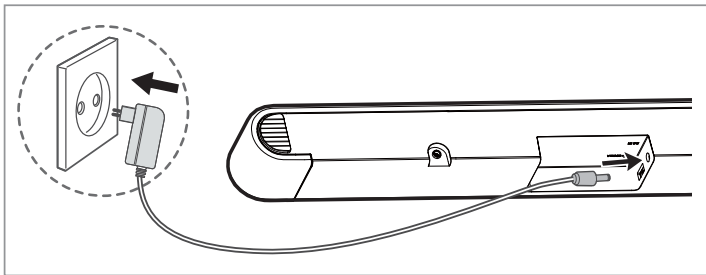


3 Connect your Soundbar system

After you have fixed the position of the Soundbar, you can start connecting it to your TV or other devices and listen to the audio through your Soundbar. Make sure you have muted the audio of your TV or device. For information, check the user manual of your TV or device.

Connect your Soundbar to power supply



- 1 Make sure that you have completed all other connections before connecting the Soundbar to power supply.
- 2 Make sure the power supply voltage complies with your country's safety standards (see 'Specifications' page)
- 3 Connect one end of a supplied DC adapter cord to the DC input connector on your Soundbar and another end to the power socket on the wall.




Connect the Soundbar with your Bluetooth device

Notes

- Make sure your wireless device supports the Bluetooth function.
- The operational range between the Soundbar and your Bluetooth device is approximately 10 meters (without any obstacle between the Bluetooth device and the Soundbar).

- 1 Press  button on the unit to switch the unit ON.
- 2 Press  button repeatedly on the unit to select Bluetooth mode.
 - You will see blue LEDs flashing rapidly.
 - The Soundbar is ready to pair.
- 3 Power on your Bluetooth device and activate its Bluetooth function.
- 4 Select **TCL Q60H**.
 - You will see the blue light on for 3 seconds.
 - Pairing is successful.

Tip

- If you cannot find the model name **TCL Q60H** on your Bluetooth device or if you want to pair another device, press and hold  button. You will see blue light flashing. Now the Soundbar is coming into the pairing mode.

Connect your wireless Subwoofer to the Soundbar



When the wireless Subwoofer is connected, you can enjoy powerful deep bass sounds and a truly immersive audio experience.

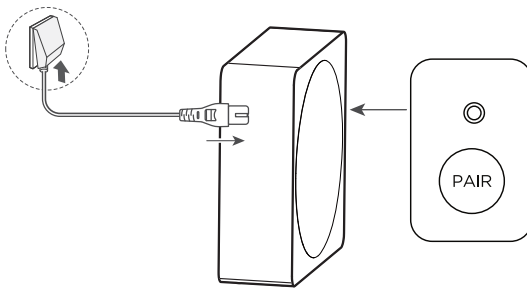
Auto pairing

Make sure both the Soundbar and wireless Subwoofer are connected to the power supply and are turned on.

THE SUBWOOFER WILL PAIR AUTOMATICALLY WITH SOUNDBAR UPON FIRST USE.


In case of a problem, take the following steps to manually pair:

- 1 Press the  button on the Subwoofer for 3 seconds until indicator light flashing fast beside pair button.
- 2 Long press the  + **VOL+** buttons on the Soundbar for **10** seconds.
- 3 When indicator light turn solid on the Subwoofer, pairing is successful.












4 Use your Soundbar system

Use your Soundbar with the top panel

- 1 Make sure the Soundbar is properly connected to the power supply and sources.
- 2 Press  at the top panel of your Soundbar to switch to the correct source.

The LED display on the Soundbar gives you information about the LED Behavior on Soundbar. LED light is visible between the cloth and the top case.


Note: After powering on your Soundbar, if there is no operation performed on either the Soundbar within 10 seconds, all LED indicators on the Soundbar will turn off and light up again when the operation is resumed.

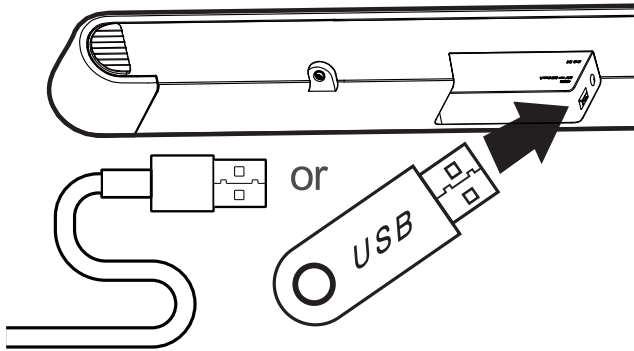
Combination keys	Function	LED State
Long press   	Factory Default Setting	
Long press  	Subwoofer Pairing (Manual pairing only)	
Long press  	Voice Prompts on/off	Solid White 3 seconds and then turn off
Press  	Mute on/off	Blink White 2 times and then turn off

Listen to music from your Bluetooth device

- 1 Make sure that your device supports A2DP and/or AVRCP. For information, check the specification of your device.
- 2 Pair your Bluetooth device with the Soundbar (see 'Connect the Soundbar with your Bluetooth device').
- 3 Start listening to music stored in your Bluetooth device through the Soundbar.

Use the USB cable or device for music playback



- 1 Insert the USB device.
- 2 Press the  button repeatedly on the Soundbar to select USB mode.
→ You will see green LED on the Soundbar.
- 3 The Soundbar will automatically starts playback.




Tip

- Music in folders of the USB device should be within 5 (including 5) directory levels. Otherwise, the Soundbar can not detect the music.

Wireless TV TX

- 1 Make sure the Soundbar is properly connected to the power supply and sources. Make sure TCL A300 PRO TV is turn on.
- 2 Press  button turn on the Soundbar.
- 3 Press the  button repeatedly on the Soundbar to select Wireless TV TX mode.
→ You will see light blue LED on the Soundbar.
- 4 Operate your TCL A300 PRO TV directly for playback features.

Tip


- If the Soundbar and TCL A300 PRO TV paired fail, press and hold  button. You will see light blue flashing. Now the Soundbar is coming into the pairing mode.

5 Specifications

Product Name

3.1.2 Channel Dolby Atmos Sound Bar with Wireless Subwoofer

Soundbar

- Adapter mode: KA3601A-1802000EU
Input: 100-240V~ 50/60Hz, 1.0A (Max)
Output: 18.0V \Rightarrow 2.0A 36.0W 
- Power consumption: 30 W
- Power consumption at standby mode (after long pressing the power button): \leq 0.5W
- Impedance: 8 Ω
- Frequency response: 180Hz-20KHz
- Dimensions (WxHxD): 880 x 50 x 50mm
- Weight: 1.2 KG
- Operating temperature: 0°C - 45°C
- USB port for playback: 5V \Rightarrow 500mA , FAT32 / FAT16, 32G (max) ,MP3 , WMA, FLAC, WAV

Wireless Subwoofer

- Power Supply: AC 100-240V~50/60Hz
- Power consumption: 30 W
- Power consumption at standby mode: \leq 0.5W
- Impedance: 4 Ω
- Frequency response: 40Hz-180Hz
- Frequency range: 2402MHz-2480MHz
- Max transmitting power: 10dBm
- Dimensions (WxHxD): 350 x 350 x 120 mm
- Weight: 4.7 KG

Amplifier (audio output power)

- Total: 200W
- Soundbar: 20W x 2 + 20W + 20W x 2 RMS @ 1% THD
- Subwoofer: 100W

Bluetooth

- Bluetooth version: 5.3, Bluetooth profile - Bluetooth stereo supported (Advanced Audio Distribution Profile - A2DP; Audio Video Remote Control Profile - AVRCP)
- Frequency range: 2402 MHz – 2480 MHz
- Max transmitting power: 10dBm

6 Notice

Disposal of your old product and battery



Your product is designed and manufactured with high quality materials and components, which can be recycled and reused.

Environmental protection and sustainability

We have omitted all unnecessary packaging and make sure it is eco-friendly and sustainable.

Trademarks



The Bluetooth[®] word mark and logos are registered trademarks owned by Bluetooth SIG, Inc. and any use of such marks by TTE Corporation is under license. Other trademarks and trade names are those of their respective owners.

7 FAQ

No power

- Make sure the AC power cord and AC input connector are connected properly.
- Make sure there is power supply.
- Make sure the Soundbar has turned on.

No sound

- Make sure the audio cable is connected to the Soundbar and your device.
- Make sure you have selected the correct source.
- Press up button to increase the volume level.
- Make sure the Soundbar is not muted.

Low voice

- Use the Remote Control to adjust the volume.
- * Other EQs cannot be selected in Night Mode.

I hear distorted sound.

- Make sure all cables are properly connected.
- Make sure you have selected the correct source.
- Make sure the TV is muted if you play audio from the TV.

I cannot find the Bluetooth name of this Soundbar on my Bluetooth device.

- Make sure the Bluetooth function is activated on your Bluetooth device.
- Make sure the Soundbar has paired with your Bluetooth device.

TCL support:

Please visit www.tcl.com/au

WE ARE READY

TO HELP

contact us first with
any questions



**TAKE CARE WHEN
REMOVING THE SOUNDBAR**

Copyright © 2024 TCL. All rights reserved.

Q60H_EN_UM_V08



Q60H

3.1.2 Channel B&O Sound Bar with Wireless Subwoofer Quick Start Guide



English | Albanian | Bulgarian | Croatian | Czech | Danish | Dutch | Estonian | Finnish | French | German | Greek | Hungarian | Italian | Latvian | Lithuanian | Macedonian | Norwegian | Polish | Portuguese | Romanian | Russian | Serbian | Slovak | Slovene | Spanish | Swedish | Turkish | Ukranian | Bosnian



- EN** Make sure you read all the safety information before you use this product.
- SO** Sigurorhuni që të lexoni të gjithë informacionin e sigurisë përpara se të përdorni produktin.
- BG** Преди да използвате продукта, задължително прочетете всички инструкции за безопасност.
- HR** Obavezno pročitajte sve sigurnosne informacije prije korištenja ovog proizvoda.
- CS** Před použitím tohoto výrobku si přečtěte všechny bezpečnostní informace.
- DA** Læs alle sikkerhedsoplysninger, før du bruger produktet.
- NL** Zorg ervoor dat u alle veiligheidsinformatie leest voordat u dit apparaat gebruikt.
- ET** Enne seadme kasutamist lugege kindlasti kõiki ohutuseeskirju.
- FI** Lue kaikki turvallisuusohjeet ennen tuotteen käyttöä.
- FR** Assurez-vous d'avoir lu toutes les informations relatives à la sécurité avant d'utiliser cet appareil.
- DE** Vergewissern Sie sich, dass Sie sämtliche Sicherheitshinweise gelesen haben, bevor Sie dieses Produkt verwenden.
- EL** Βεβαιωθείτε ότι έχετε διαβάσει όλες τις πληροφορίες ασφαλείας πριν χρησιμοποιήσετε αυτό το προϊόν.
- HU** A készülék használatba vétele előtt olvassa el az összes biztonsági előírást.
- IT** Assicurarvi di aver letto tutte le informazioni sulla sicurezza prima di utilizzare questo prodotto.
- LV** Pirms produkta lietošanas noteikti izlasiet visu drošības informāciju.
- LT** Prieš pradėdami naudoti šį gaminį, būtinai perskaitykite visus saugos nurodymus.
- MK** Погрижете се да ги прочитате сите безбедносни информации пред да го користите овој производ.
- NO** Sørg for å lese alle sikkerhetsinstruksjonene før du bruker produktet.
- PL** Przed użyciem produktu należy dokładnie przeczytać wszystkie wskazówki dotyczące bezpieczeństwa.
- PT** Certifique-se de ler todas as informações de segurança antes de usar este produto.
- RO** Asigurați-vă că ați citit toate informațiile de siguranță înainte de a utiliza acest produs.
- RU** Прежде чем приступить к эксплуатации устройства, прочтите все инструкции по безопасности.
- SR** Obavezno pročitajte sve informacije o bezbednosti pre upotrebe ovog proizvoda.
- SK** Pred použitím tohto produktu si prečítajte všetky bezpečnostné informácie.
- SL** Zagotovite, da ste pred uporabo tega izdelka prebrali vse varnostne informacije.
- ES** Asegúrese de leer toda la información de seguridad antes de utilizar este producto.
- SV** Se till att du läser all säkerhetsinformation innan du använder produkten.
- TR** Bu ürünü kullanmadan önce tüm güvenlik bilgilerini okuduğunuzdan emin olun.
- UA** Уважно ознайомтеся із усією інформацією стосовно техніки безпеки перед використанням пристрою.
- BS** Make sure you read all the safety information before you use this product.



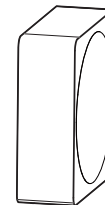
A



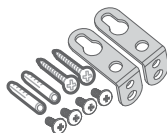
D



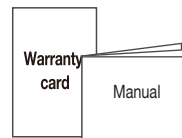
C



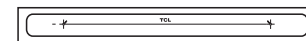
B



E



F

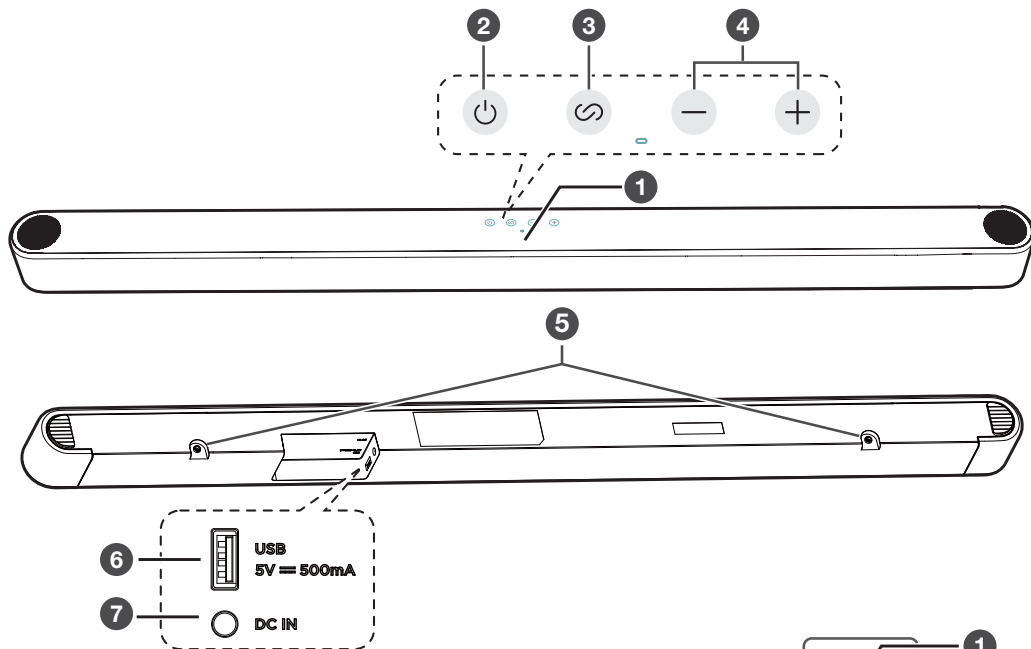


G

2a



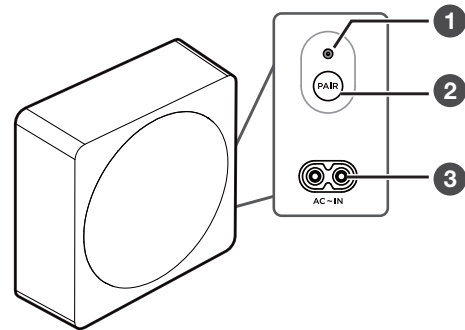
- 1 Input Source LED Indicator
- 2 ⏻ (On/Off) Button
- 3 🔗 (Source/pairing) Button
- 4 - / + Buttons
- 5 Wall bracket slot
- 6 USB Type A connector
- 7 DC input power connector



2b



- 1 PAIR Indicator
- 2 PAIR Button
- 3 AC input power connector

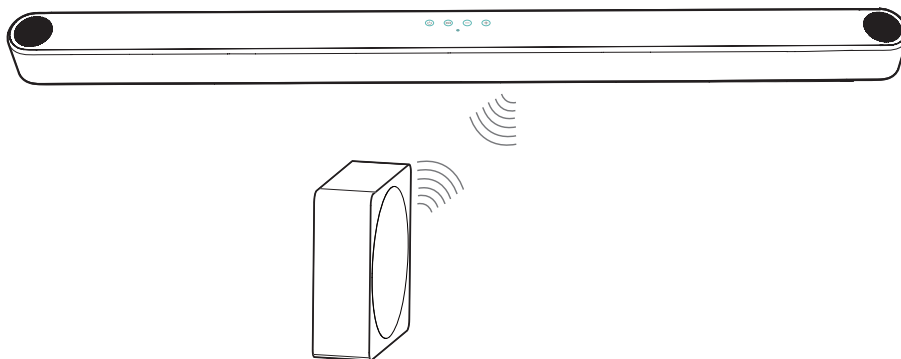
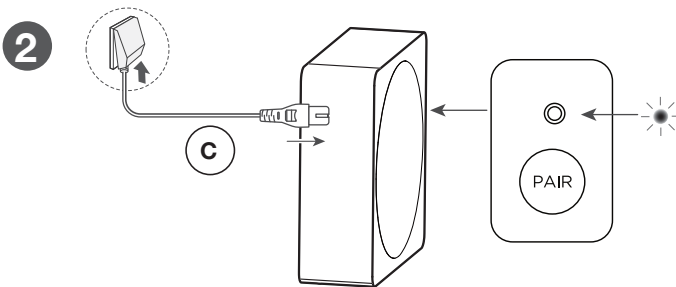
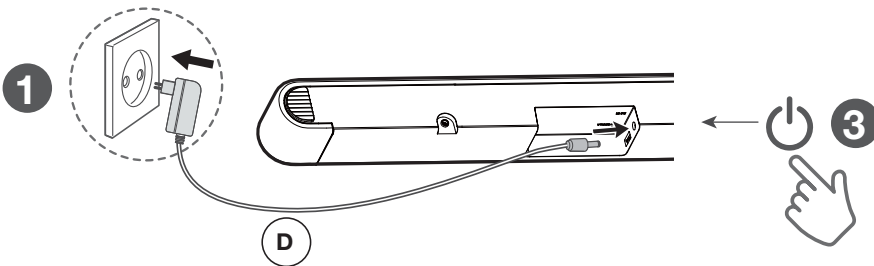
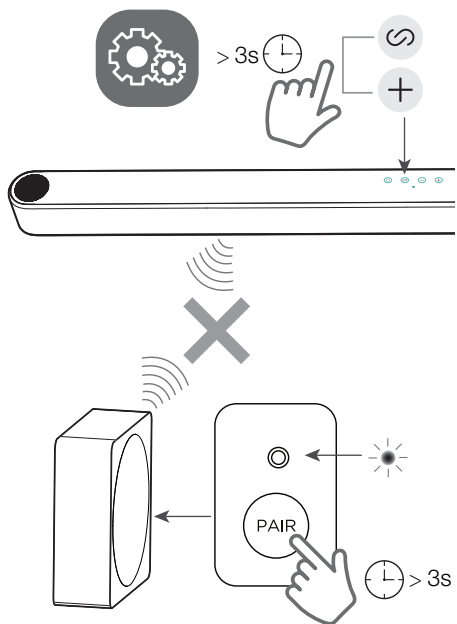


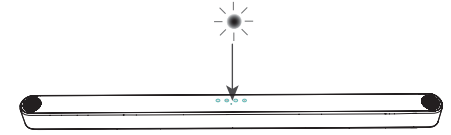
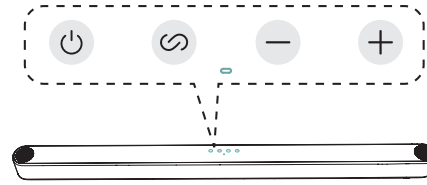
3



**THE SUBWOOFER WILL
PAIR AUTOMATICALLY WITH
SOUNDBAR UPON FIRST USE.**

⚠ In case of a problem, take the following steps to manually pair:



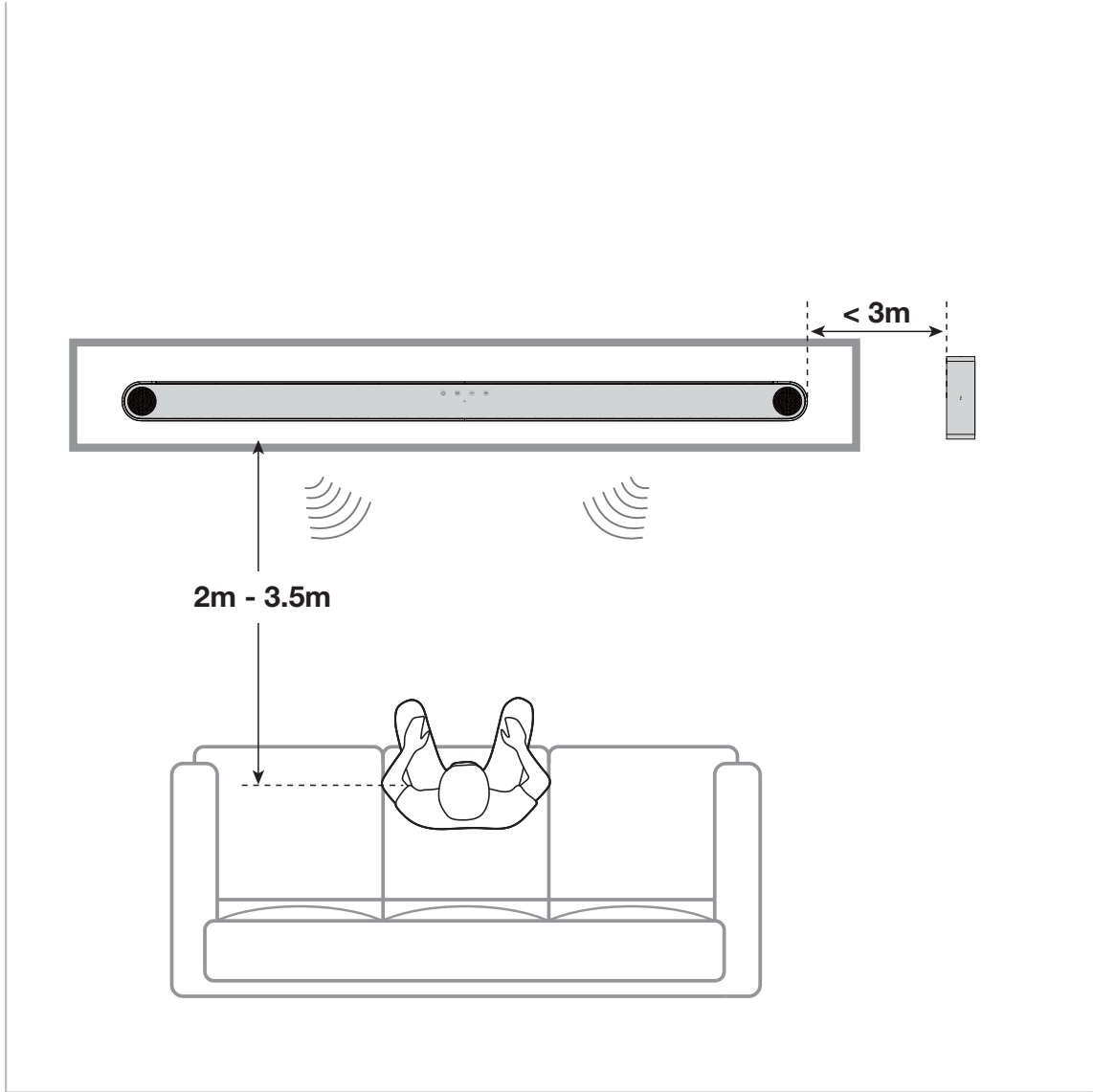


	 x1	 x1	 x1	 x1	  x1	  x1 > 10s	  x1 > 10s	   x1 > 10s
								
EN	Power Off Power On	TV TX : Light Blue Bluetooth : Blue USB : Green	Volume Down	Volume Up	Mute On/Off Blink White 2 times and then turn off	Subwoofer Pairing (Manual pairing only)	Voice Prompts On/Off Solid White 3 seconds and then turn off	Factory Default Setting
SQ	Power Off Power On	TV TX : Light Blue Bluetooth : Blue USB : Green	Volume Down	Volume Up	Mute On/Off Blink White 2 times and then turn off	Subwoofer Pairing (Manual pairing only)	Voice Prompts On/Off Solid White 3 seconds and then turn off	Factory Default Setting
HR	Power Off Power On	TV TX : Light Blue Bluetooth : Blue USB : Green	Volume Down	Volume Up	Mute On/Off Blink White 2 times and then turn off	Subwoofer Pairing (Manual pairing only)	Voice Prompts On/Off Solid White 3 seconds and then turn off	Factory Default Setting
CS	Power Off Power On	TV TX : Light Blue Bluetooth : Blue USB : Green	Volume Down	Volume Up	Mute On/Off Blink White 2 times and then turn off	Subwoofer Pairing (Manual pairing only)	Voice Prompts On/Off Solid White 3 seconds and then turn off	Factory Default Setting
DA	Power Off Power On	TV TX : Light Blue Bluetooth : Blue USB : Green	Volume Down	Volume Up	Mute On/Off Blink White 2 times and then turn off	Subwoofer Pairing (Manual pairing only)	Voice Prompts On/Off Solid White 3 seconds and then turn off	Factory Default Setting
NL	Power Off Power On	TV TX : Light Blue Bluetooth : Blue USB : Green	Volume Down	Volume Up	Mute On/Off Blink White 2 times and then turn off	Subwoofer Pairing (Manual pairing only)	Voice Prompts On/Off Solid White 3 seconds and then turn off	Factory Default Setting
ET	Power Off Power On	TV TX : Light Blue Bluetooth : Blue USB : Green	Volume Down	Volume Up	Mute On/Off Blink White 2 times and then turn off	Subwoofer Pairing (Manual pairing only)	Voice Prompts On/Off Solid White 3 seconds and then turn off	Factory Default Setting
FI	Power Off Power On	TV TX : Light Blue Bluetooth : Blue USB : Green	Volume Down	Volume Up	Mute On/Off Blink White 2 times and then turn off	Subwoofer Pairing (Manual pairing only)	Voice Prompts On/Off Solid White 3 seconds and then turn off	Factory Default Setting

	 x1	 x1	 x1	 x1	 x1	 > 10s	 > 10s	 > 10s
								
FR	Power Off Power On	TV TX : Light Blue Bluetooth : Blue USB : Green	Volume Down	Volume Up	Mute On/Off Blink White 2 times and then turn off	Subwoofer Pairing (Manual pairing only)	Voice Prompts On/Off Solid White 3 seconds and then turn off	Factory Default Setting
DE	Power Off Power On	TV TX : Light Blue Bluetooth : Blue USB : Green	Volume Down	Volume Up	Mute On/Off Blink White 2 times and then turn off	Subwoofer Pairing (Manual pairing only)	Voice Prompts On/Off Solid White 3 seconds and then turn off	Factory Default Setting
EL	Power Off Power On	TV TX : Light Blue Bluetooth : Blue USB : Green	Volume Down	Volume Up	Mute On/Off Blink White 2 times and then turn off	Subwoofer Pairing (Manual pairing only)	Voice Prompts On/Off Solid White 3 seconds and then turn off	Factory Default Setting
HU	Power Off Power On	TV TX : Light Blue Bluetooth : Blue USB : Green	Volume Down	Volume Up	Mute On/Off Blink White 2 times and then turn off	Subwoofer Pairing (Manual pairing only)	Voice Prompts On/Off Solid White 3 seconds and then turn off	Factory Default Setting
IT	Power Off Power On	TV TX : Light Blue Bluetooth : Blue USB : Green	Volume Down	Volume Up	Mute On/Off Blink White 2 times and then turn off	Subwoofer Pairing (Manual pairing only)	Voice Prompts On/Off Solid White 3 seconds and then turn off	Factory Default Setting
LV	Power Off Power On	TV TX : Light Blue Bluetooth : Blue USB : Green	Volume Down	Volume Up	Mute On/Off Blink White 2 times and then turn off	Subwoofer Pairing (Manual pairing only)	Voice Prompts On/Off Solid White 3 seconds and then turn off	Factory Default Setting
MK	Power Off Power On	TV TX : Light Blue Bluetooth : Blue USB : Green	Volume Down	Volume Up	Mute On/Off Blink White 2 times and then turn off	Subwoofer Pairing (Manual pairing only)	Voice Prompts On/Off Solid White 3 seconds and then turn off	Factory Default Setting
NO	Power Off Power On	TV TX : Light Blue Bluetooth : Blue USB : Green	Volume Down	Volume Up	Mute On/Off Blink White 2 times and then turn off	Factory Default Setting	Voice Prompts On/Off Solid White 3 seconds and then turn off	Factory Default Setting
PL	Power Off Power On	TV TX : Light Blue Bluetooth : Blue USB : Green	Volume Down	Volume Up	Mute On/Off Blink White 2 times and then turn off	Factory Default Setting	Voice Prompts On/Off Solid White 3 seconds and then turn off	Factory Default Setting
PT	Power Off Power On	TV TX : Light Blue Bluetooth : Blue USB : Green	Volume Down	Volume Up	Mute On/Off Blink White 2 times and then turn off	Factory Default Setting	Voice Prompts On/Off Solid White 3 seconds and then turn off	Factory Default Setting

	 x1	 x1	 x1	 x1	 x1	 > 10s	 > 10s	 > 10s
								
RO	Power Off Power On	TV TX : Light Blue Bluetooth : Blue USB : Green	Volume Down	Volume Up	Mute On/Off Blink White 2 times and then turn off	Subwoofer Pairing (Manual pairing only)	Voice Prompts On/Off Solid White 3 seconds and then turn off	Factory Default Setting
RU	Power Off Power On	TV TX : Light Blue Bluetooth : Blue USB : Green	Volume Down	Volume Up	Mute On/Off Blink White 2 times and then turn off	Subwoofer Pairing (Manual pairing only)	Voice Prompts On/Off Solid White 3 seconds and then turn off	Factory Default Setting
SR	Power Off Power On	TV TX : Light Blue Bluetooth : Blue USB : Green	Volume Down	Volume Up	Mute On/Off Blink White 2 times and then turn off	Subwoofer Pairing (Manual pairing only)	Voice Prompts On/Off Solid White 3 seconds and then turn off	Factory Default Setting
SK	Power Off Power On	TV TX : Light Blue Bluetooth : Blue USB : Green	Volume Down	Volume Up	Mute On/Off Blink White 2 times and then turn off	Subwoofer Pairing (Manual pairing only)	Voice Prompts On/Off Solid White 3 seconds and then turn off	Factory Default Setting
SL	Power Off Power On	TV TX : Light Blue Bluetooth : Blue USB : Green	Volume Down	Volume Up	Mute On/Off Blink White 2 times and then turn off	Subwoofer Pairing (Manual pairing only)	Voice Prompts On/Off Solid White 3 seconds and then turn off	Factory Default Setting
ES	Power Off Power On	TV TX : Light Blue Bluetooth : Blue USB : Green	Volume Down	Volume Up	Mute On/Off Blink White 2 times and then turn off	Subwoofer Pairing (Manual pairing only)	Voice Prompts On/Off Solid White 3 seconds and then turn off	Factory Default Setting
SV	Power Off Power On	TV TX : Light Blue Bluetooth : Blue USB : Green	Volume Down	Volume Up	Mute On/Off Blink White 2 times and then turn off	Subwoofer Pairing (Manual pairing only)	Voice Prompts On/Off Solid White 3 seconds and then turn off	Factory Default Setting
TR	Power Off Power On	TV TX : Light Blue Bluetooth : Blue USB : Green	Volume Down	Volume Up	Mute On/Off Blink White 2 times and then turn off	Factory Default Setting	Voice Prompts On/Off Solid White 3 seconds and then turn off	Factory Default Setting
UA	Power Off Power On	TV TX : Light Blue Bluetooth : Blue USB : Green	Volume Down	Volume Up	Mute On/Off Blink White 2 times and then turn off	Factory Default Setting	Voice Prompts On/Off Solid White 3 seconds and then turn off	Factory Default Setting
BS	Power Off Power On	TV TX : Light Blue Bluetooth : Blue USB : Green	Volume Down	Volume Up	Mute On/Off Blink White 2 times and then turn off	Factory Default Setting	Voice Prompts On/Off Solid White 3 seconds and then turn off	Factory Default Setting

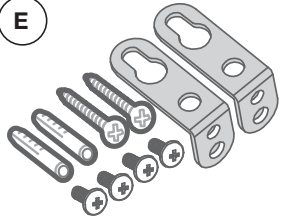
5a



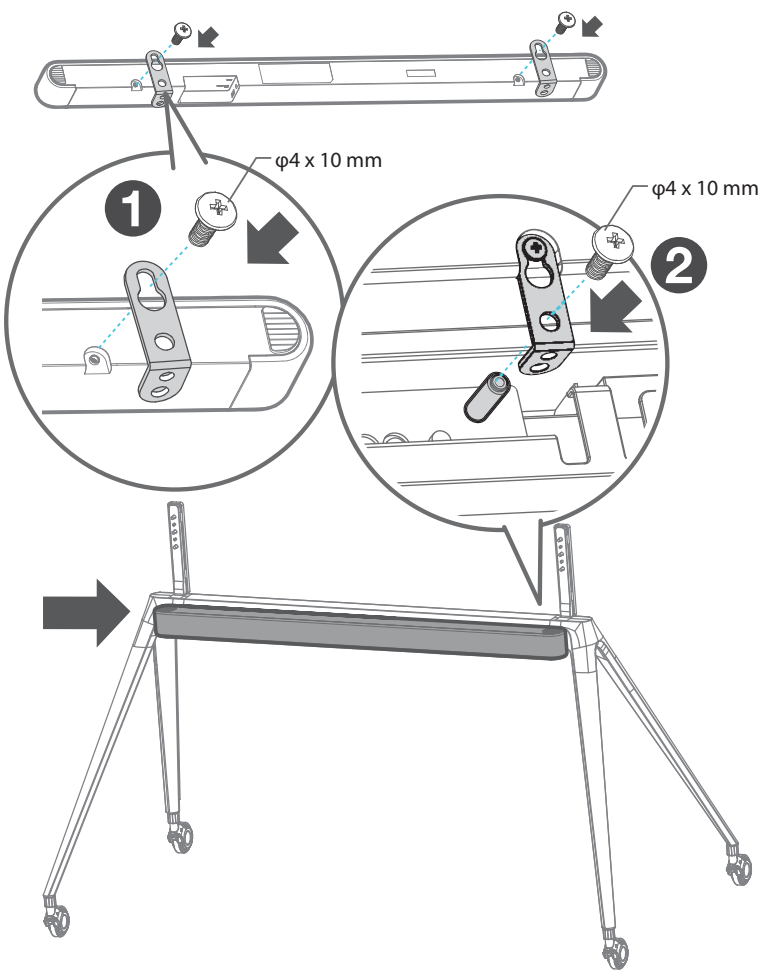
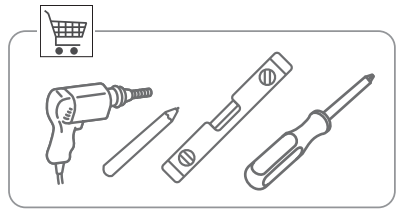
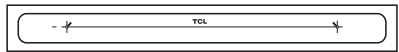
5b



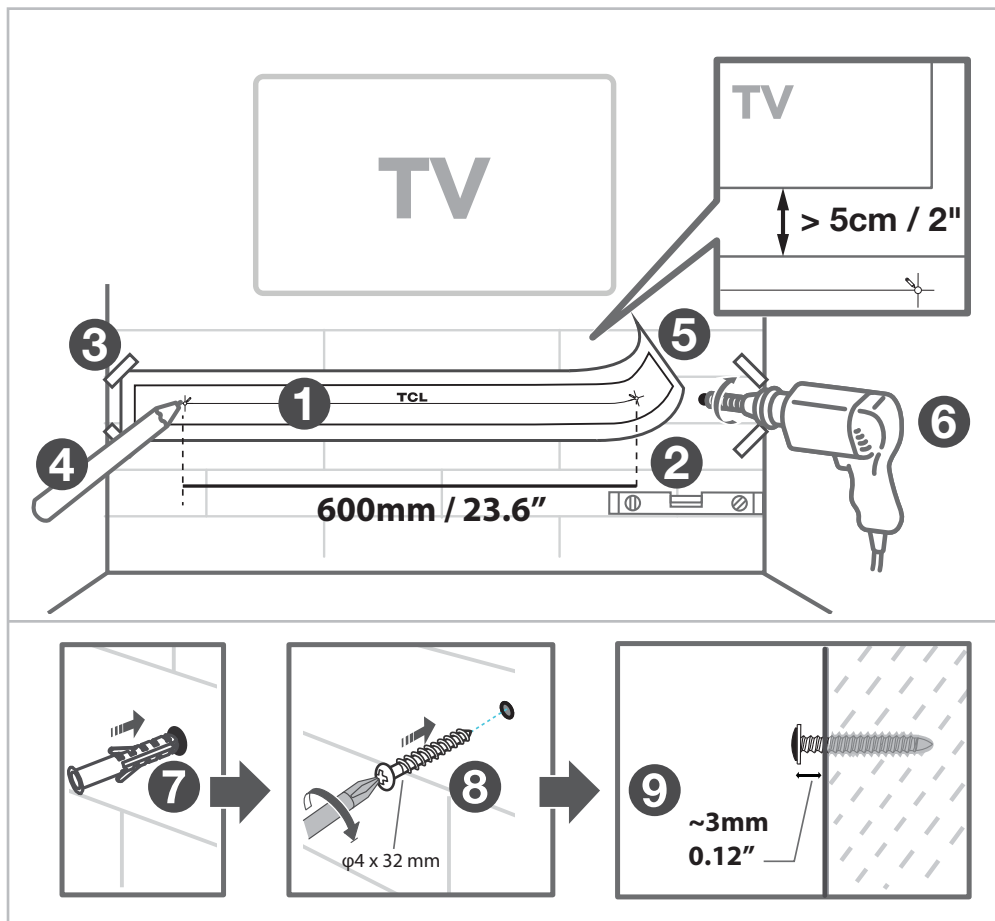
E



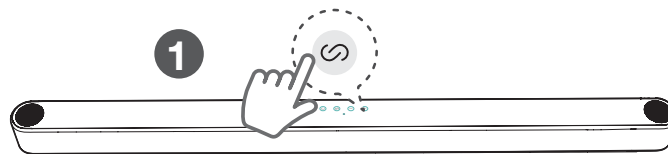
G



5c



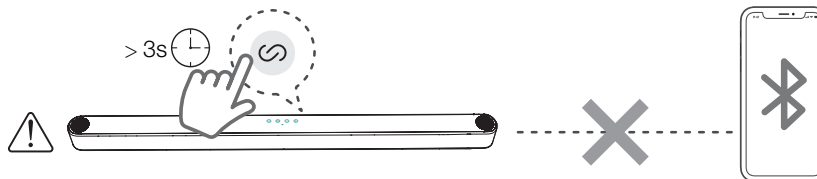
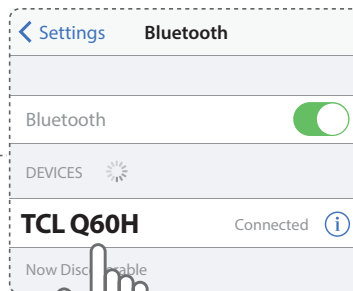
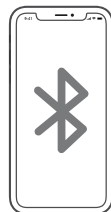
6a



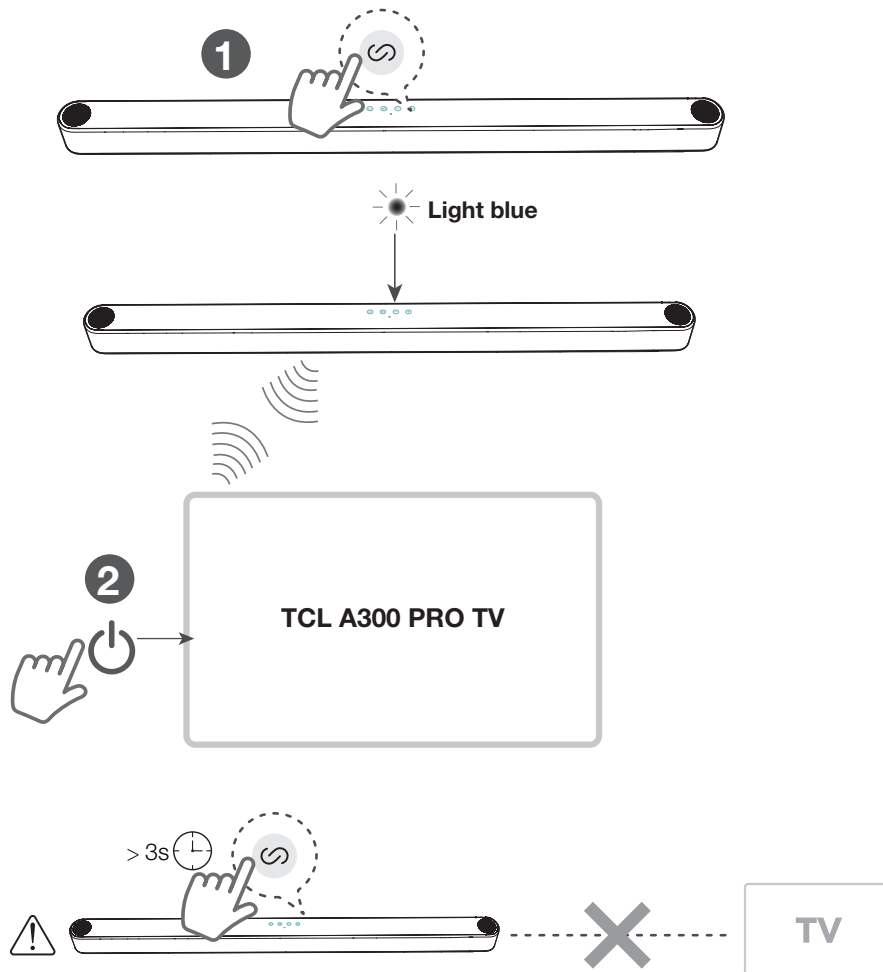
Blue



2



6b

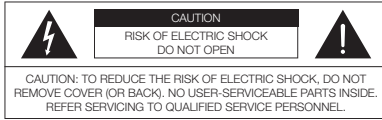


Important safety instructions

Make sure you read all the safety information before you use this product.

TCL North America bears no responsibility for accidents or damages caused by unauthorized changes, modifications or improper use of the product.

User Manual can be found at www.tcl.com/us on the specific product page in the "Download" section.



The lightning flash with arrowhead symbol, within an equilateral triangle is intended to alert the user to the presence of uninsulated dangerous voltage within the product's enclosure that may be of sufficient magnitude to constitute a risk of electric shock.



The exclamation point within an equilateral triangle is intended to alert the user to the presence of important operating and maintenance (servicing) instructions in the literature accompanying the product.



This symbol indicates that this product incorporates double insulation between hazardous main voltage and user accessible parts. When servicing, use only identical replacement parts.

Warnings

- To reduce the risk of fire or electric shock, do not expose this product to rain or moisture. This product should not be exposed to dripping or splashing. No objects filled with liquids, such as vases, should be placed on or near the product.
 - The product is unstable if it is not properly placed or mounted to the wall. Be sure to follow the wall mounting instructions provided in the user manual to ensure your safety.
 - Do not expose batteries to excessive heat such as sunshine, fire, and so forth.
 - To avoid danger of suffocation, keep this plastic bag away from babies and children.
 - Do not use this bag in cribs, beds, carriages or playpens. This bag is not a toy.
 - Shielded cables must be used with this unit to ensure compliance with the Class B FCC limits.
- ### Safety
- **Read these instructions** - Read all the safety and operating instructions before operating the product.
 - **Retain these instructions** - Retain the safety and operating instructions for future reference.
 - **Heed all warnings** - Adhere to all warnings on the product and in the operating instructions.
 - **Follow all instructions** - Follow all operating and use instructions.
 - **Do not use this apparatus near water** - The appliance should not be used near water or moisture - for example, in a wet basement or near a swimming pool and the like.
 - **Clean only with a dry cloth.**
 - **Do not block any ventilation openings.** Install in accordance with the manufacturer's instructions.
 - **Do not install near any heat sources** such as radiators, heat registers, stoves, or other apparatus (including amplifiers) that produce heat.
 - **Do not defeat the safety purpose** of the polarized or grounding-type plug. A polarized plug has two blades with one wider than the other. A grounding type plug has two blades and a third grounding prong. The wide blade or the third prong are provided for your safety. If the provided plug does not fit into your outlet, consult an electrician for replacement of the obsolete outlet.
 - **Protect the power cord** from being walked on or pinched particularly at plugs, convenience receptacles, and the point where it exits from the product. If the cord set is damaged, it must be replaced by a special cord set available from the manufacturer or its service agent.
 - **Use only attachments/accessories** specified by the manufacturer.
 - **Use only with the cart,** stand, tripod, bracket, or table specified by the manufacturer, or sold with the apparatus. When a cart is used, use caution when moving the cart/apparatus combination to avoid injury from tip-over.



- **Unplug this apparatus** during lightning storms or when unused for long periods of time.
- **Refer all servicing** to qualified service personnel. Servicing is required when the apparatus has been damaged in any way, such as power-supply cord or plug damaged, liquid has been spilled or objects have fallen into the apparatus, the apparatus has been exposed to rain or moisture, does not operate normally, or has been dropped.
- **The user must maintain** a minimum distance of 20CM from the device at all time.
- **This appliance is not intended** for use by young children or infirm persons without supervision. Young children should be supervised to ensure that they do not play with the appliance.

Cautions

- To prevent electric shock, match wide blade of plug to wide slot, fully insert.
- Do not place any sources of danger on the product (for example: liquid filled objects, lighted candles).
- Disconnect the power cord to shut off when find trouble or not in use. The power cord shall be readily operable.
- Use of controls or adjustments or performance of procedures other than those described herein, may result in hazardous radiation exposure or other unsafe operation.
- The power cord/appliance coupler is used as the disconnect device, the disconnect device must remain readily operable.
- The rating label is located at the bottom or back of the product.
- The use of apparatus in tropical and moderate climates.

Battery CAUTION & Disposal Information

- For best results, use alkaline-type batteries.
- Do not mix Alkaline, Standard (Carbon-Zinc), or Rechargeable (Nickel Cadmium or Nickel Metal Hydride) batteries.
- Always replace depleted batteries with two same brand-new batteries from the same manufacturer. Never use damaged batteries.
- Do not use Rechargeable (Nickel Cadmium or Nickel Metal Hydride) batteries.
- Install only new batteries of the same type in your product. There is a risk of fire or explosion if the battery is replaced by an incorrect type.
- Do not mix old and new batteries.
- Batteries should not be exposed to excessive heat, such as prolonged direct sunlight, open flame, or fire of any kind as it may result in an explosion, or leakage of flammable liquid, or gas.
- Batteries should not be exposed to extremely low air pressure as it may result in an explosion or the leakage of flammable liquid or gas.
- Failure to insert batteries in the correct polarity, as indicated in the battery compartment, may shorten the life of the batteries or cause batteries to leak.
- Batteries should be recycled or disposed of as per state and local guidelines. Do not dispose of batteries in a fire, hot oven, or mechanically crushing or cutting a battery, which may result in an explosion.

Disposal of Your Old Product

Your product is designed and manufactured with high quality materials and components, which can be recycled and reused.

This product may contain lead and mercury. Disposal of these materials may be regulated due to environmental considerations. For disposal or recycling information, please contact your local authorities.

For 5G WIFI Device

The device for operation in the band 5150-5250 MHz is only for indoor use to reduce the potential for harmful interference to co-channel mobile satellite systems.

Compliance notice

Notice for US

FCC Information

Warning

Changes or modifications to this unit not expressly approved by the party responsible for compliance could void the user's authority to operate the equipment.

Note

This equipment has been tested and found to comply with the limits for a Class B digital device, pursuant to Part 15 of the FCC Rules. These limits are designed to provide reasonable protection against harmful interference in a residential installation. This equipment generates, uses and can radiate radio frequency energy and, if not installed and used in accordance with the instructions, may cause harmful interference to radio communications. However, there is no guarantee that interference will not occur in a particular installation.

If this equipment does cause harmful interference to radio or television reception, which can be determined by turning the equipment off and on, the user is encouraged to try to correct the interference by one or more of the following measures:

- Reorient or relocate the receiving antenna.
- Increase the separation between the equipment and receiver.
- Connect the equipment into an outlet on a circuit different from that to which the receiver is connected.
- Consult the dealer or an experienced radio / TV technician for help.

This device complies with Part 15 of the FCC Rules. Operation is subject to the following two conditions: (1) this device may not cause harmful interference, and (2) this device must accept any interference received, including interference that may cause undesired operation.

FCC Radiation Exposure Statement: This equipment complies with FCC radiation exposure limits set forth for an uncontrolled environment. This equipment should be installed and operated with a minimum distance of 20cm between the radiator and your body. This transmitter must not be co-located or operated in conjunction with any other antenna or transmitter.

Notice for Canada

Class B Clause

This Class B digital apparatus complies with Canadian ICES-003

This device contains licence-exempt transmitter(s)/receiver(s) that comply with Innovation, Science and Economic Development Canada's licence-exempt RSS(s). Operation is subject to the following two conditions: 1. This device may not cause interference. 2. This device must accept any interference, including interference that may cause undesired operation of the device.

IC Radiation Exposure Statement

This equipment complies with ICES RSS-102 radiation exposure limits set forth for an uncontrolled environment. This equipment should be installed and operated with a minimum distance of 20cm between the radiator and any part of your body.

Warning: The user is cautioned that changes or modifications not expressly approved by the party responsible for compliance could void the user's authority to operate the equipment.

Consignes de sécurité importantes

Assurez-vous de lire toutes les informations de sécurité avant d'utiliser ce produit.

TCL North America décline toute responsabilité en cas d'accidents ou de dommages causés par des changements non autorisés, des modifications ou une utilisation incorrecte du produit.

Le manuel de l'utilisateur est disponible à l'adresse www.tcl.com/ca, sur la page du produit concerné, dans la section « Téléchargement ».



Le symbole de l'éclair en forme de flèche, situé dans un triangle équilatéral, a pour but d'alerter l'utilisateur de la présence d'une tension dangereuse non isolée à l'intérieur du boîtier du produit pouvant être suffisamment importante pour constituer un risque d'électrocution.



Le point d'exclamation dans un triangle équilatéral est destiné à alerter l'utilisateur de la présence de consignes importantes d'utilisation et de maintenance (entretien) dans la documentation accompagnant le produit.



Ce symbole indique que ce produit comporte une double isolation entre la tension principale dangereuse et les pièces accessibles à l'utilisateur. Lors de l'entretien, utilisez uniquement des pièces de rechange identiques.

Avertissements

- Pour réduire les risques d'incendie ou d'électrocution, n'exposez pas ce produit à la pluie ou à l'humidité. Ce produit ne doit pas être exposé à des gouttes ou des éclaboussures. Aucun objet rempli de liquide, tel qu'un vase, ne doit être placé au-dessus ou à proximité du produit.
- Le produit est installé s'il n'est pas correctement placé ou fixé au mur. Veuillez suivre les instructions de montage mural fournies dans ce manuel d'utilisation pour assurer votre sécurité.
- N'exposez pas les piles à une source de chaleur excessive telle que le soleil, le feu, etc.
- Pour éviter tout risque de suffocation, gardez ce sac en plastique hors de portée des bébés et des enfants. N'utilisez pas ce sac dans un berceau, un lit, une poussette ou un parc. Ce sac n'est pas un jouet.
- Des câbles blindés doivent être utilisés avec cet appareil pour garantir la conformité aux limites de la classe B de la FCC.

Sécurité

- **Lisez ces consignes** – Lisez toutes les consignes de sécurité et d'utilisation avant d'utiliser le produit.
- **Conservez ces consignes** – Conservez les consignes de sécurité et d'utilisation pour une consultation ultérieure.
- **Respectez tous les avertissements** – Respectez tous les avertissements sur le produit et dans le mode d'emploi.
- **Observez toutes les consignes** – Observez le mode d'emploi et toutes les consignes d'utilisation.
- **N'utilisez pas cet appareil à proximité d'eau** – Cet appareil ne doit pas être utilisé à proximité d'eau ou d'humidité – par exemple, dans un sous-sol humide ou près d'une piscine, etc.
- **Nettoyez uniquement avec un chiffon sec.**
- **Ne bloquez aucune bouche d'aération.** Installez conformément aux instructions du fabricant.
- **Ne l'installez pas près de sources de chaleur** telles que les radiateurs, les bouches de chaleur, les poêles ou autres appareils (y compris les amplificateurs) produisant de la chaleur.
- **Ne déterminez pas l'objectif de sécurité** de la fiche polarisée ou mise à la terre. Une fiche polarisée a deux lames avec une plus large que l'autre. Une fiche de type mise à la terre a deux broches et une troisième broche de mise à la terre. La flamme large ou la troisième broche sont fournies pour votre sécurité. Si la fiche fournie ne rentre pas dans votre prise, consultez un électricien pour remplacer la prise obsolète.
- **Protégez le cordon d'alimentation** des piétements et des pincements, en particulier au niveau des fiches, des prises de courant et du point de sortie du produit. Si l'ensemble de câble est endommagé, il faut le remplacer par un câble spécial disponible auprès du fabricant ou de son agent de service.
- **N'utilisez que les pièces jointes / accessoires** spécifiés par le fabricant.
- **N'utilisez que le chariot**, le support, le trépied, la console ou la table spécifiés par le fabricant ou vendus avec l'appareil. En cas d'utilisation d'un chariot, soyez prudent lorsque vous déplacez l'ensemble chariot-appareil afin d'éviter tout risque de basculement ou de blessures.



- **Débranchez cet appareil** en cas d'orage ou lorsqu'il n'est pas utilisé pendant de longues périodes.
- **Confiez l'entretien de l'appareil** à un personnel qualifié. Une réparation est nécessaire lorsque l'appareil a été endommagé de quelque manière que ce soit, par exemple si le cordon d'alimentation ou la fiche sont endommagés, si un liquide a été renversé ou si des objets sont tombés dans l'appareil, si l'appareil a été exposé à la pluie ou à l'humidité, s'il ne fonctionne pas normalement ou s'il est tombé.
- **L'utilisateur doit se tenir** à une distance minimale de 20 cm de l'appareil à tout moment.
- **Cet appareil n'est pas destiné** à être utilisé par de jeunes enfants ou des personnes infirmes sans surveillance. Il faut surveiller les jeunes enfants pour s'assurer qu'ils ne jouent pas avec l'appareil.

Mises en garde

- Pour éviter les électrocutions, faites correspondre la lame large de la fiche à la fente large et insérez-la complètement.
- Ne placez aucune source de danger sur le produit (par exemple, objets remplis de liquide, bougies allumées).
- Débranchez le cordon d'alimentation pour l'éteindre en cas de problème ou si vous ne l'utilisez pas. Le cordon d'alimentation doit être facilement utilisable.
- L'utilisation de commandes ou de réglages ou l'exécution de procédures autres que celles décrites dans le présent document peuvent entraîner une exposition à des radiations dangereuses ou d'autres opérations dangereuses.
- Si le raccord d'alimentation avec l'appareil est utilisé pour le débranchement, celui doit rester facilement utilisable.
- L'étiquette d'identification se trouve au bas ou à l'arrière du produit.
- L'appareil peut être utilisé dans des climats tropicaux et modérés.

ATTENTION et informations sur la mise au rebut des piles

- Pour de meilleurs résultats, utilisez des piles alcalines.
- Ne mélangez pas des piles alcalines, standard (carbone-zinc) ou rechargeables (nickel-cadmium ou nickel-hydrure métallique).
- Remplacez toujours les piles épuisées par deux piles neuves du même fabricant. N'utilisez jamais de piles endommagées.
- N'utilisez pas de piles rechargeables (nickel-cadmium ou nickel-hydrure métallique).
- N'installez que des piles neuves du même type dans votre produit. **Il existe un risque d'incendie ou d'explosion si la pile est remplacée par un type incorrect.**
- Ne mélangez pas des piles usées avec des piles neuves.
- **Les piles ne doivent pas être exposées à une chaleur excessive, telle que la lumière directe et prolongée du soleil, une flamme nue ou un feu de quelque nature que ce soit, car cela pourrait entraîner une explosion ou une fuite de liquide ou de gaz inflammable.**
- **Les piles ne doivent pas être exposées à une pression d'air extrêmement basse, car cela pourrait entraîner une explosion ou une fuite de liquide ou de gaz inflammable.**
- Si vous n'insérez pas les piles en respectant la polarité indiquée dans le logement des piles, vous risquez de réduire la durée de vie des piles ou de provoquer des fuites
- Les piles doivent être recyclées ou mises au rebut conformément aux directives locales et nationales. **Ne jetez pas les piles au feu, dans un four chaud ou en les écrasant ou en les coupant mécaniquement, car cela pourrait provoquer une explosion.**

Mise au rebut de votre ancien produit

Votre appareil est conçu et fabriqué avec des composants et des matériaux de haute qualité, pouvant être recyclés et réutilisés.

Ce produit peut contenir du plomb et du mercure. L'élimination de ces matériaux peut être réglementée pour des raisons environnementales. Pour plus d'informations sur la mise au rebut ou le recyclage, contactez les autorités locales.

Pour les appareils Wi-Fi 5^e génération

L'appareil fonctionnera dans la bande 5150-5250 MHz ne doit être utilisé qu'à l'intérieur des bâtiments afin de réduire les risques d'interférences nuisibles avec les systèmes mobiles par satellite à canaux communs.

Avis de conformité

Avis pour les États-Unis

Informations sur la FCC

Avertissement

Les changements ou les modifications sur cet appareil non expressément approuvés par la partie responsable de la conformité pourraient invalider l'autorité de l'utilisateur pour manipuler l'équipement.

Remarque

Cet équipement a été testé et déclaré conforme aux limites imposées aux appareils numériques de classe B, conformément à la section 15 du règlement de la FCC. Ces limites sont conçues pour fournir une protection suffisante contre les interférences préjudiciables dans une installation résidentielle. Cet équipement génère, utilise et peut émettre de l'énergie radioélectrique et, s'il n'est pas installé et utilisé conformément aux instructions fournies, peut produire des interférences affectant les communications radio. Cependant, rien ne garantit que des interférences ne se produiront pas dans certaines installations.

Si cet équipement génère des interférences préjudiciables à la réception de signaux radio ou de télévision (ce qui peut être constaté en éteignant puis en rallumant l'appareil), nous conseillons à l'utilisateur d'essayer une ou plusieurs des mesures suivantes pour tenter de corriger le problème :

- Réorienter ou déplacer l'antenne de réception.
- Éloigner davantage le récepteur de l'équipement.
- Brancher l'équipement sur une prise de circuit différente de celle sur laquelle le récepteur est branché.
- Consulter le revendeur ou un technicien qualifié spécialisé en équipements radio/de télévision.

Cet appareil est conforme à la section 15 de la réglementation de la FCC. Le fonctionnement est soumis aux deux conditions suivantes:

- (1) cet appareil ne doit pas causer d'interférences nuisibles, et
- (2) cet appareil doit accepter toutes les interférences reçues, y compris celles susceptibles de provoquer un fonctionnement indésirable.

Déclaration de la FCC sur l'exposition aux rayonnements : Cet appareil est conforme aux limites de la FCC sur l'exposition aux rayonnements définies pour un environnement non contrôlé. Cet équipement doit être installé et utilisé avec une distance minimale de 20 cm entre le radiateur et votre corps. Cet émetteur ne doit pas être installé ou utilisé en conjonction avec une autre antenne ou un autre émetteur.

Avis pour le Canada

Clause de classe B

Cet appareil numérique de classe B est conforme à la norme canadienne ICES-003.

Cet appareil contient des émetteurs ou des récepteurs exemptés de licence qui se conforment aux CNR exemptés) de licence du ministère de l'Innovation, des Sciences et du Développement économique du Canada. L'exploitation est autorisée aux deux conditions suivantes :

1. cet appareil ne doit pas causer d'interférences
2. cet appareil doit accepter toute interférence, y compris les interférences susceptibles de provoquer un fonctionnement indésirable de l'appareil.

Déclaration IC relative à l'exposition aux rayonnements

Cet équipement est conforme aux limites d'exposition aux radiations ISDE CNR-102 établies pour un environnement non contrôlé. Cet équipement doit être installé et utilisé en respectant une distance minimale de 20 cm entre le radiateur et toute partie du corps.

Avertissement : l'utilisateur est averti que les changements ou modifications non expressément approuvés par la partie responsable de la conformité peuvent annuler l'autorité de l'utilisateur à faire fonctionner l'équipement.

DO NOT RETURN TO STORE

**WE ARE
READY TO
HELP** contact us first
with any questions



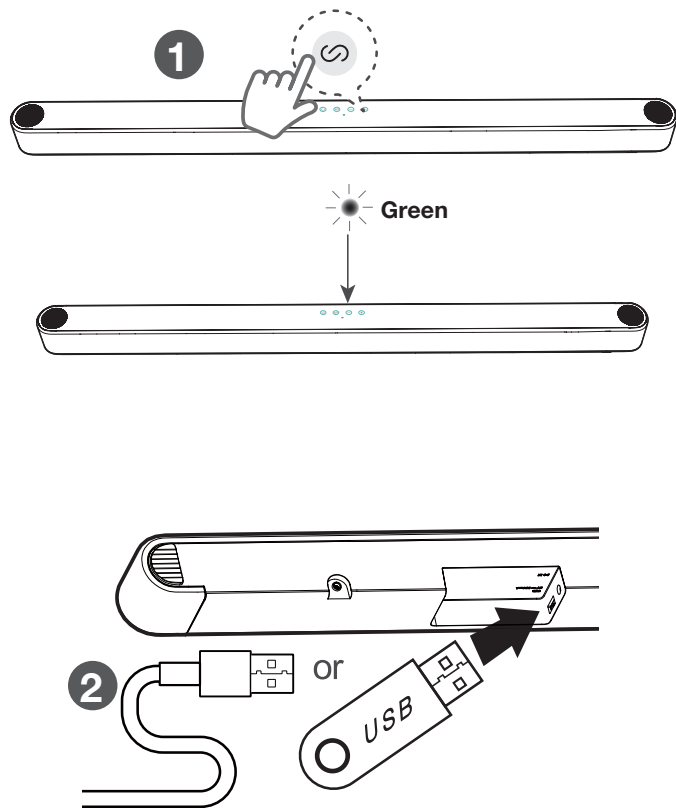
TCL SUPPORT:
support.tcl.com
1-877-300-9223



**TAKE CARE WHEN
REMOVING THE SOUND BAR**

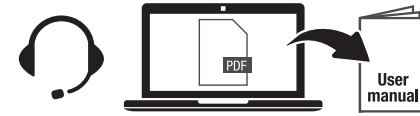


- EN** The supported file format is MP3, WMA, FLAC, WAV.
SQ Formati i skedarit të suportuar është MP3, WMA, FLAC, WAV.
BG Поддържаният файлов формат е MP3, WMA, FLAC, WAV.
HR Podržava format datoteke je MP3, WMA, FLAC, WAV.
CS Podporovaný formát souboru je MP3, WMA, FLAC, WAV.
DA Det understøttede filformat er MP3, WMA, FLAC, WAV.
NL Het ondersteunde bestandsformaat is MP3, WMA, FLAC, WAV.
ET Toetatud failivorming on MP3, WMA, FLAC, WAV.
FI Tuettu tiedostomuoto on MP3, WMA, FLAC, WAV.
FR Le format de fichier prise en charge est MP3, WMA, FLAC, WAV.
DE Das unterstützte Dateiformat ist MP3, WMA, FLAC, WAV.
EL υποστηρίξιµενη µορφή αρχείου είναι MP3, WMA, FLAC, WAV.
HU A támogatott fájlformátum az MP3, WMA, FLAC, WAV.
IT Il formato di file supportato è MP3, WMA, FLAC, WAV.
LV Atbalstītais failu formāts ir MP3, WMA, FLAC, WAV.
LT Palaikomas failo formatas yra MP3, WMA, FLAC, WAV.
MK Поддржаниот формат на фајлови е MP3, WMA, FLAC, WAV.
NO Det støttede filformatet er MP3, WMA, FLAC, WAV.
PL Obsługiwany format plików to MP3, WMA, FLAC, WAV.
PT O formato de ficheiro suportado é MP3, WMA, FLAC, WAV.
RO Formatul de fişier suportat este MP3, WMA, FLAC, WAV.
RU Поддерживаемый формат файлов - MP3, WMA, FLAC, WAV.
SR Podržani format datoteke je MP3, WMA, FLAC, WAV.
SK Podporovaný formátom súboru je MP3, WMA, FLAC, WAV.
SL Podprta oblika zapisa datoteke pa je MP3, WMA, FLAC, WAV.
ES El formato de archivo compatibles es MP3, WMA, FLAC, WAV.
SV Filformatet som stöds är MP3, WMA, FLAC, WAV.
TR Desteklenen dosya formatı MP3, WMA, FLAC, WAV'tür.
UA Підтримуваний формат файлу - MP3, WMA, FLAC, WAV.
BS The supported file format is MP3, WMA, FLAC, WAV.



WE ARE READY TO HELP

contact us first
with any questions



TCL SUPPORT:
www.tcl.com



The Bluetooth® word mark and logos are registered trademarks owned by Bluetooth SIG, Inc. and any use of such marks by TTE Corporation is under license. Other trademarks and trade names are those of their respective owners.

