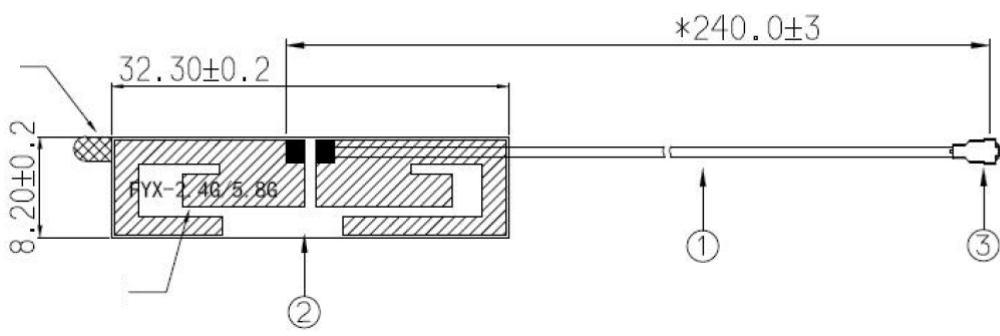


Specification For Approval

Material number: 3.03.10010031142

Shenzhen Feiyuxin Electronics Co., LTD

Address: Feiyuxin Industrial Park, No. 76, Baotong South Road, Xikeng Industrial Zone, Henggang Town, Longgang District, Shenzhen City, China



mm

Frequency(MHz)	Gain(dBi)	Efficiency(%)	Frequency(MHz)	Gain(dBi)	Efficiency(%)
2400	3.62	60.42	5150	2.4	52.58
2410	4.28	63.89	5200	2.71	52.95
2420	4.16	61.88	5250	3.48	52.39
2430	3.86	69.54	5300	3.79	55.8
2440	4.54	67.44	5350	3.77	56.05
2450	4.4	66.86	5400	3.38	54.33
2460	4.08	63.92	5450	2.06	57.6
2470	4.31	58.06	5500	2.37	56.93
2480	3.71	55.43	5550	2.86	51.5
2490	3.7	58.18	5600	2.54	56.43
2500	4.11	50.25	5650	3.01	55.56
			5700	2.53	54.21
			5750	2.26	52.34
			5800	3.72	56.37
			5850	4.19	48.16

2D/3D direction map

