

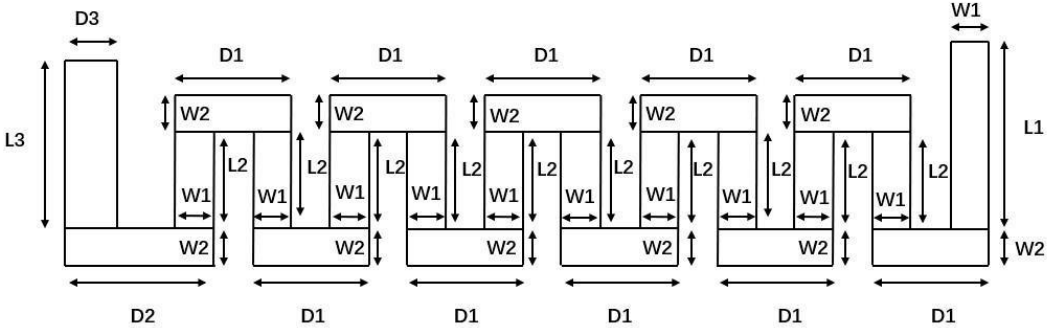
Antenna data sheet

1. Antenna describe:

Antenna plate	PCB antenna
Model name	PDT-002
Peak Gain	0dBi
Frequency range	2.4GHz-2.483GHz
Connector type	Direct
Manufacturer	DONGGUANG XIAOKE INDUSTRLES.CO.,LTD
Address	NO. 227, DONGCHENG SECTION, GUANDONG ROAD, DONGCHENG STREET, DONGGUAN CITY,CHINA

2. External view drawing:

Picture of antenna



Antenna Dimensions

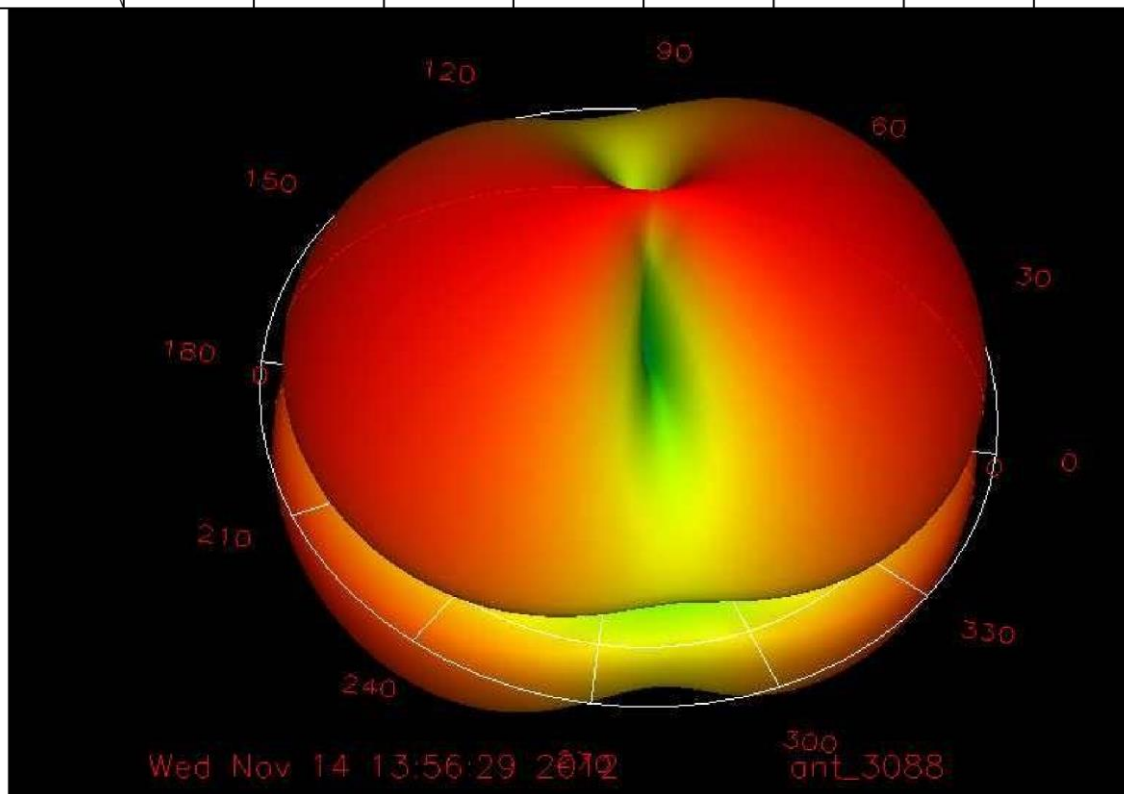
L1	2.15 mm
L2	1.20 mm
L3	1.95 mm
W1	0.35 mm
W2	0.35 mm
D1	1.25 mm
D2	1.65 mm
D3	0.50 mm

3. Antenna Radiation Pattern

Radiation pattern@2.402GHZ

Total Average Gain:-0.475dbi

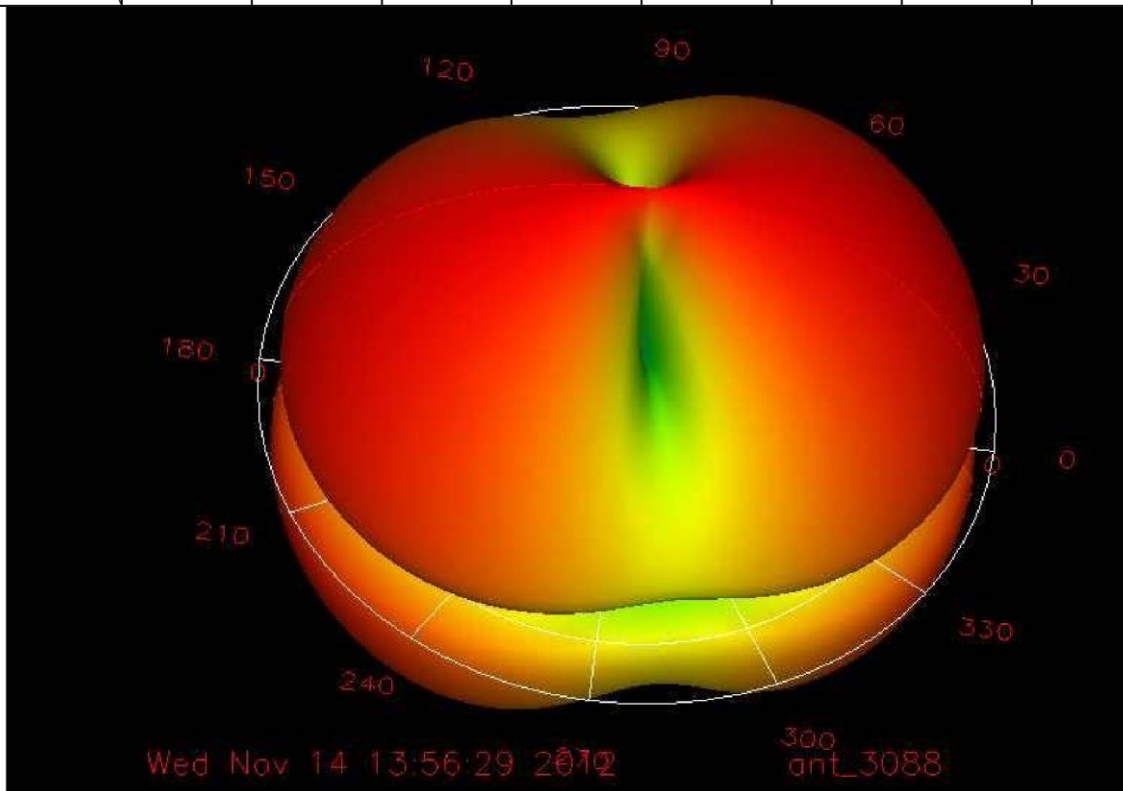
Phi	0	45	90	135	180	235	270	315
Gain	-0.2	-0.3	-0.8	-0.5	-0.2	-0.5	-0.8	-0.5



Radiation pattern@2.441GHZ

Total Average Gain:-0.275dbi

Phi	0	45	90	135	180	235	270	315
Gain	0	-0.2	-0.4	-0.6	-0.1	-0.3	-0.6	-0.4



Radiation pattern@2.480GHZ

Total Average Gain:-0.237dbi

Phi	0	45	90	135	180	235	270	315
Gain	0	-0.2	-0.3	-0.5	0	-0.3	-0.6	-0.2

