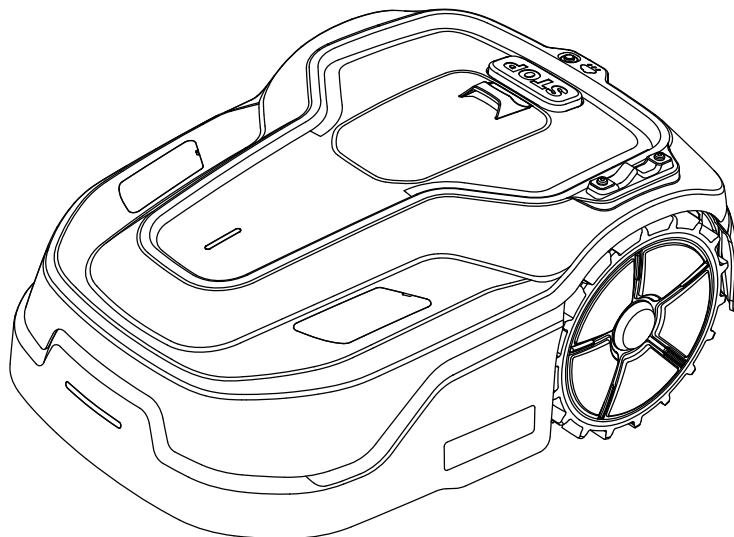




SRM1100



EN Original instructions

OPERATOR'S MANUAL



Robotic Lawn Mower

EN 03

The illustrations in this manual are for reference only. Please refer to the actual product.



TABLE OF CONTENTS

SAFETY INFORMATION	04
Important safety instructions.....	04
What's in the box.....	07
KNOW YOUR MOWER	08
Symbol explanation.....	09
Technical data and noise data.....	10
Main functions.....	12
GETTING STARTED	15
Installation.....	15
² Preparation.....	15
Operation.....	17
Mapping.....	18
App.....	19
MAINTENANCE	24
Keep it sharp.....	24
Keep it clean	25
Battery maintenance.....	26
Winter storage.....	26
Update.....	26
Error messages.....	26
Trouble shooting.....	28
Warranty.....	31

IMPORTANT SAFETY INSTRUCTIONS. KEEP FOR FUTURE REFERENCE.

⚠ Attention: read all safety warnings and all instructions for the safe operation of the machine. Failure to follow the warnings and instructions may result in electric shock, fire and/ or serious injury.

- The mower is not intended for use by persons (including children) with reduced physical, sensory or mental capabilities, or lack of experience and knowledge, unless they have been given supervision or instruction concerning use of the appliance by a person responsible for their safety.
- Children should be supervised to ensure that they do not play with Mower.

⚠ WARNING: For the purposes of recharging the battery, only use the detachable supply unit provided with this appliance.

Safety guidance before use

- Read the instructions carefully. Make sure you understand the instructions and be familiar with the controls and the proper use of Mower.
- Never allow people unfamiliar with these instructions or children to use Mower.
- The operator or user is responsible for accidents or hazards occurring to other people or their property.

Preparation before use

- Ensure the correct installation of boundary wire as instructed.
- Periodically inspect the area where Mower is to be used and remove all stones, sticks, wires, bones, and other foreign objects.
- Periodically visually inspect to see that the blades, blade bolts and cutter assembly are not worn or damaged. Replace worn or damaged blades and bolts in sets.
- Turn off Mower, wear protective gloves and

take care when inspecting blades, as rotating one blade can cause other blades to rotate.

⚠ WARNING! The lawnmower should not be operated without the guard in place.

Safe Operation

- Never operate the appliance with defective guards or without the guard in place
- Do not put hands or feet near rotating parts
- Never pick up or carry Mower while it is running.
- Turn off the machine before clearing a blockage and before checking, cleaning or working on Mower.
- It is not permitted to modify the original design of Mower. All modifications are made at your own risk.
- Start Mower according to the instructions. When the power is switched on, make sure you keep your hands and feet away from the rotating blades.
- Never lift up Mower or carry it when the power is switched on.
- Do not put anything on top of Mower or its docking Charger Station.
- Do not allow Mower to be used with a defective blade disc or body. Neither should it be used with defective blades, screws, nuts or cables.
- Switch off Mower when you do not intend to use it for a long period of time.
- Mower can only start when the power is switched on and the correct PIN code has been entered.
- Avoid using Mower in bad weather conditions especially when there is a risk of lightning.
- Do not touch moving hazardous parts before these have come to a complete stop.
- Do not leave Mower to operate unattended if you know that there are pets, children or people in the vicinity.
- An advice to not overreach and to keep the balance at all times, to always be sure of the footing on slopes and to walk, never run while operating the machine or its peripherals.
- Instructions to always wear substantial footwear and long trousers while operating the machine.
- Remove the plug from the mains or operate the disabling device:
 - before clearing any blockages;
 - before checking, cleaning or maintaining the machine.
 - after striking a foreign object to inspect the machine for damage;

- if the machine starts to vibrate abnormally, and to check for damage before restarting;
- An advice not to connect a damaged cord to the supply or touch a damaged cord before it is disconnected from the supply for the reason that damaged cords can lead to contact with live parts
- If the cord on the power supply or the extension cable becomes damaged or entangled during use, disconnect the power supply from the power socket and then untangle. To avoid a hazard, pull the body of the plug rather than the cord when separating the power supply from the power socket. Contact after-sales service and have a professional technician to repair or replace the cord.
- Information for machines used in public areas, that warning signs shall be placed around the working area of the machine. They shall show the substance of the following text:



WARNING!

Automatic lawnmower! Keep away from the machine! Supervise children!"

MAINTENANCE AND STORAGE



Attention: When the mower is turned upside down the power must always be switched off. The power should be switched off during all work on the mower's under frame, such as cleaning or replacing the blades.

- Do not wash Mower with a pressure washer—due to the high pressure, water can go inside Mower and damage the electronic circuits.
- To avoid injuries, wear protective gloves when replacing the blades.
- Keep all nuts, bolts and screws tight to be sure Mower is in safe working conditions.
- Inspect Mower each week and replace worn or damaged parts for safety.
- Ensure that only replacement blades of the right type are used.
- Ensure that batteries are charged with Mower's docking Charger Station. Incorrect use may result in electric shock or overheating of the battery.
- Servicing of Mower should be according to manufacturers' instructions.

Recommendation

Please only connect Mower and/or its peripherals to a supply circuit protected by a residual current device (RCD) with a tripping current of not more

than 30 mA.

Safe transport


- The original packaging should be used when transporting Mower over long distances
- To safely move Mower within the working area:
 - press the STOP button to stop the mower
 - carry the mower by the handle at the rear under the mower.
 - carry the mower with the blade disc away from the body.


Safety Warnings for battery pack inside the tool


- 1. Do not dismantle, open or shred battery pack.**
- 2. Do not short-circuit a battery pack. Do not store battery packs haphazardly in a box or drawer where they may short-circuit each other or be short-circuited by conductive materials.** When battery pack is not in use, keep it away from other metal objects, like paper clips, coins, keys, nails, screws or other small metal objects, that can make a connection from one terminal to another. Shorting the battery terminals together may cause burns or a fire.
- 3. Do not expose battery pack to heat or fire. Avoid storage in direct sunlight.**
- 4. Do not subject battery pack to mechanical shock.**
- 5. In the event of battery leaking, do not allow the liquid to come into contact with the skin or eyes. If contact has been made, wash the affected area with copious amounts of water and seek medical advice.**
- 6. Seek medical advice immediately if a cell or battery pack has been swallowed.**
- 7. Keep battery pack clean and dry.**
- 8. Battery pack gives its best performance when it is operated at normal room temperature (68 °F± 41 °F).**
- 9. When disposing of battery packs, keep battery packs of different electrochemical systems separate from each other.**
- 10. Recharge only with the charger specified by SUNTEK. Do not use any charger other than that specifically provided for use with the**

equipment. A charger that is suitable for one type of battery pack may create a risk of fire when used with another battery pack.

- 11. Do not use any battery pack which is not designed for use with the equipment.**
- 12. Keep battery pack out of the reach of children.**
- 13. Retain the original product literature for future reference.**
- 14. Dispose of properly.**
- 15. Do not mix cells of different manufacture, capacity, size or type within a device.**
- 16. This appliance contains batteries that are only replaceable by skilled persons.**

 **WARNING!** Mower can be dangerous if incorrectly used. Read through the Operator's Manual carefully and understand the content before using your mower.

 **WARNING!** Keep a safe distance from the machine when operating.

 **WARNING!** Turn the machine off before working on or lifting the machine.

 **WARNING!** Do not ride on the machine.

This device complies with Part 15 of the FCC Rules. Operation is subject to the following two conditions: (1) this device may not cause harmful interference, and (2) this device must accept any interference received, including interference that may cause undesired operation.

FCC Statement:

This equipment has been tested and found to comply with the limits for a Class B digital device, pursuant to Part 15 of the FCC Rules. These limits are designed to provide reasonable protection against harmful interference in a residential installation. This equipment generates, uses and can radiate radio frequency energy and, if not installed and used in accordance with the instructions, may cause harmful interference to radio communications. However, there is no guarantee that interference will not occur in a particular installation. If this equipment does cause harmful interference to radio or television reception, which can be determined by turning the equipment off and on, the user is encouraged to try to correct the interference by one or more of the following measures:

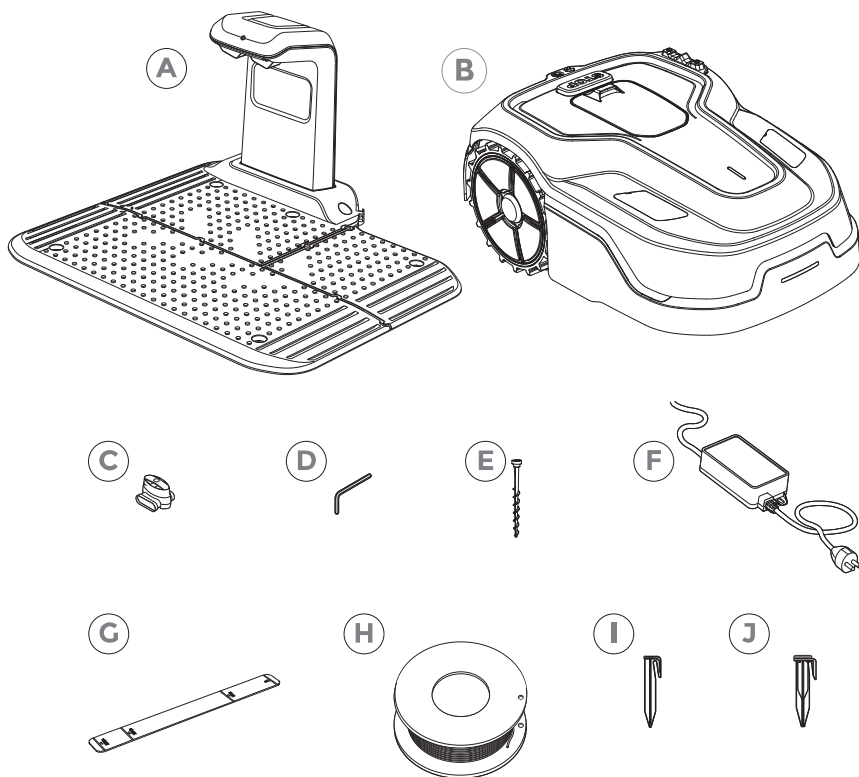
- Reorient or relocate the receiving antenna.
- Increase the separation between the equipment and receiver.
- Connect the equipment into an outlet on a circuit different from that to which the receiver is connected.
- Consult the dealer or an experienced radio/TV technician for help.

Any changes or modifications not expressly approved by the party responsible for compliance could void the user's authority to operate the equipment.

FCC Radiation Exposure Statement:

This equipment complies with FCC radiation exposure limits set forth for an uncontrolled environment. This equipment should be installed and operated with minimum distance 20cm between the radiator and your body.

WHAT'S IN THE BOX



A 1 Charger Station with 10m Wires

B 1 Mower

C 3 Boundary Wire Connector

D 1 Allen Key H5

E 7 Charger Station fixing Screws

F 1 Charger Adapter

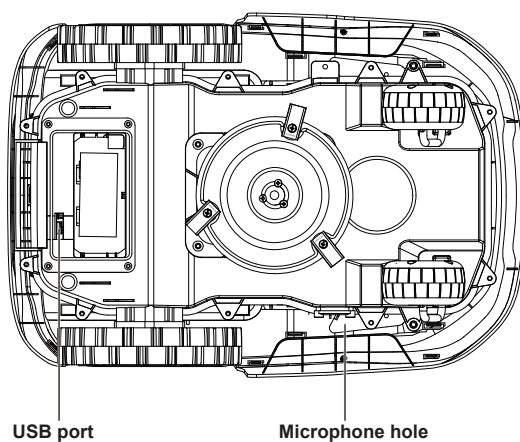
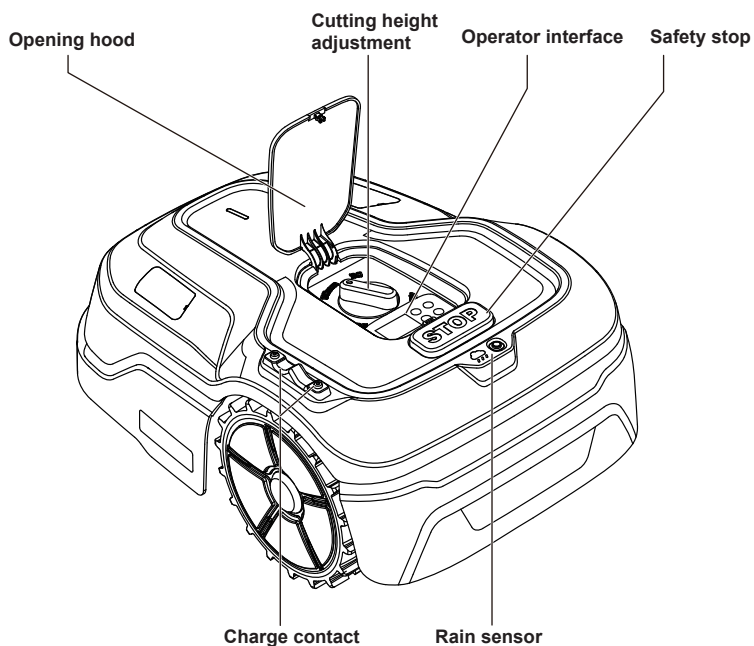
G Distance gauge

H 1 Boundary Wire

I 180 Boundary Wire pegs (black)













J 16 Boundary Wire RFID pegs (red)

KNOW YOUR MOWER




SYMBOL EXPLANATION

This page depicts and describes safety symbols that may appear on this product. Read, understand, and follow all instructions on the machine before attempting to assemble and operate.

	WARNING – Read user instructions before operating the machine.
	WARNING - Keep a safe distance from the machine when operating.
	WARNING – Operate the disabling device before working on or lifting the machine.
	WARNING - Do not ride on the machine.
 Li-Ion 	Li-Ion battery. This product has been marked with a symbol relating to 'separate collection' for all battery packs and battery pack. It will then be recycled or dismantled in order to reduce the impact on the environment. Battery packs can be hazardous for the environment and for human health since they contain hazardous substances.
	Do not burn
	Batteries may enter water cycle if disposed improperly, which can be hazardous for ecosystem. Do not dispose of waste batteries as unsorted municipal waste.
	Prohibit disassembling the machine without authorization
	Waste electrical products must not be disposed of with household waste. Please recycle where facilities exist. Check with your local authorities or retailer for recycling advice.
	Class III appliance
	Read operator's manual

TECHNICAL DATA

Type **SRM1100** (RM - designation of machinery, representative of Robotic Lawn Mower)

Model	SRM1100
Rated voltage	18V 
No load speed	2500 /min
Cutting area	1/4 Acre / 1000m ²
Cutting diameter	7.87 in
Cutting height	30-60mm (1.18 in-2.36 in)
Cutting height positions	19
Battery type	Lithium-ion
Battery model	N173-5S2P
Charging time approx.	90mins (20% ~100%)
Charger model	SCH2261
Charger rating	Input: 100-240V~50/60Hz 83W Output: of charger station SAC1031 20.5V 2.5A
Extension cord for charger	SJTW 2*18AWG 10 m / 32.8 ft
Protection degree	Class III
Machine weight	8.9 kg / 19.6 lbs
App	Y
Battery capacity	18V 5.0Ah
Mapping	Yes
Continuous cutting	Yes
Max. slope	35%
IOT Connection	Wifi+Bluetooth
Protection index	IPX5
Frequency band of embedded WLAN module	2.412GHz-2.484GHz
Max. radio-frequency power of embedded WLAN module	802.11b: 17±2.0dBm, @11Mbps 802.11g: 14±2.0dBm, @54Mbps 802.11n: 14±2.0dBm, @HT20_MCS7
FCC	FCC ID: 2BDQH-SRM001

ACCESSORIES

Model	SRM1100
Docking Charger Station	1 (SAC1031)
Docking Charger Station Fixing nails	7
Charger Adapter	1 (SCH2261)
Boundary Wire RFID pegs (red)	16
Boundary Wire pegs(black)	180
Boundary Wire	180 m / 590 feet
Boundary Wire Connector	3
Additional Blades & Screws	6
Allen Key H5	1

Please visit SUNTEK website www.suntekliving.com for additional information on accessories.

INTENDED USE

The garden product is intended for domestic lawn mowing. It is designed to mow often, maintaining a healthier and better-looking lawn than ever before. Depending on the size of your lawn, your mower may be programmed to operate at any time or frequency. It is impossible for digging, sweeping or snow cleaning.

MAIN FUNCTIONS

In the following section, we would like to help you better understand how the mower works. Your mower is an autonomous machine, capable of operating on its own. It knows when it needs to go to its charging station, can sense when it is raining, can stop itself if it senses a problem and knows to stop, draw back, and turn around when it bumps into something blocking its path. To prevent an accident, the mower will also automatically stop its blade disc from rotating if it is lifted off the ground.

INTELLIGENT MAPPING AND ZONING

Equipped with advanced intelligence, this lawnmower is designed to navigate and map out the shape of the garden, customizing a precise working area automatically.

You can also control over your lawn and robotic mower through our user-friendly app.

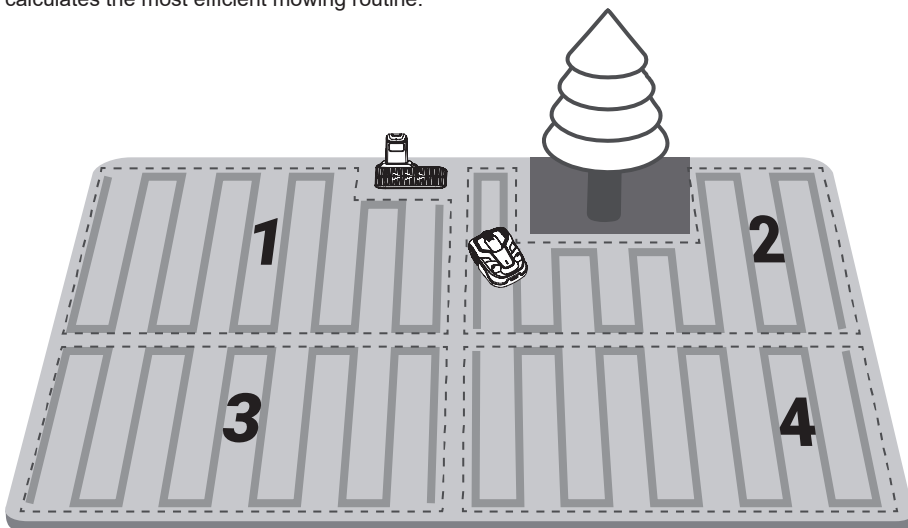
SMARTNAVI SYSTEM

SmartNavi system brings intelligent mapping and cutting, highly efficient and easy to cover all lawn area even with narrow passage.

Your mower can detect the signal from RFID tags of boundary wire and charging station, to position and re-position itself during work and make intelligent moves.

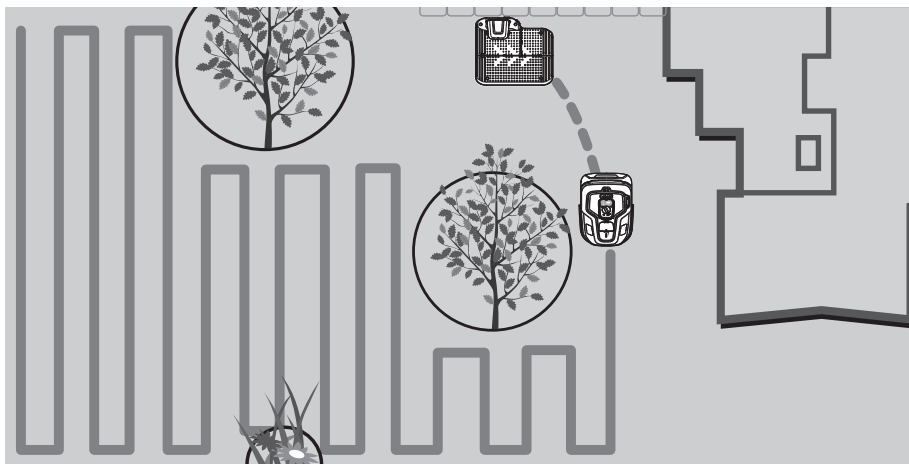
• Auto zoning

The intelligent system of your mower can automatically customize the lawn into several areas, and calculates the most efficient mowing routine.



• Auto resume mowing

If the battery power is too low, the mower will automatically stop the current mowing task and return to the charging station to charge. As enough power is restored, it will return to the previous position and resume the mowing tasks.



SPOT MOWING

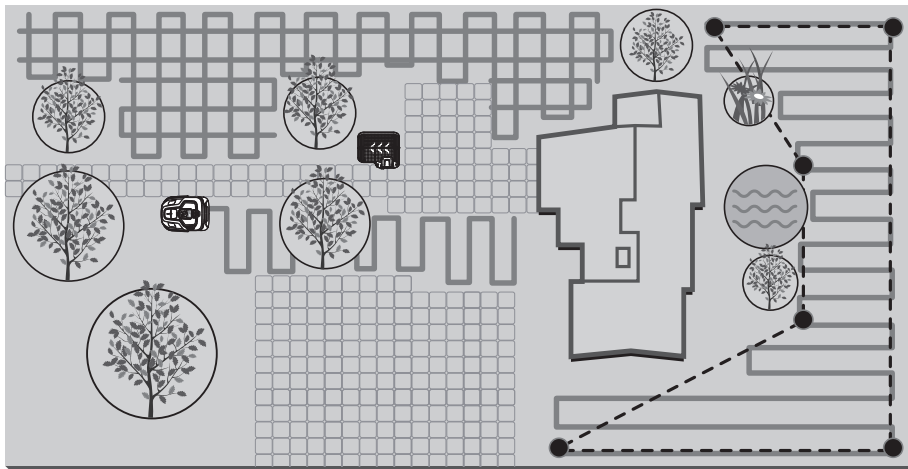
Spot Mowing is intended for mowing small areas that require special treatment without having to mow the whole lawn, such as the area under a piece of garden furniture that has been removed.

To use spot mowing you first need to activate it while your mower is sitting in its charging station. Choose ZONE on your app to start the spot mowing. It will return to its starting point once the spot cutting is completed.

FINE MOWING

Fine mowing is intended for meeting the need for delicate cutting.

Choose Fine Cutting Mode on your app to start the fine mowing.



SMART AUTO SCHEDULING

Mower programs itself, learns about your lawn and builds the perfect schedule for it. Using cloud computing, Mower continuously fine-tunes mowing cycles to the actual growth rate of your grass. Even though you can manually program it, we recommend you take advantage of this advanced auto-scheduling by connecting Mower to the internet and using the free mower app.

CHARGES ITSELF

When your mower needs to recharge, it will stop mowing and follow the boundary wire in a clockwise direction back to its charging station. Once charging is complete, the mower will automatically resume mowing or stay in the charging station according to its mowing schedule.

RAIN SENSOR

Your mower is 100% weather proof and happy to be outside. But mowing wet grass does not give you the best finish or result. Mower is equipped with a rain sensor which detects rain and tells Mower to stop mowing and go back to its charging station.

After a rainfall, Mower re-starts when the grass is no longer wet. The default Rain Delay time is 180 minutes. You can change the Rain Delay time setting via the App.

NO MORE GRASS CLIPPINGS TO COLLECT

Mower's daily mowing produces very short clippings that don't need to be raked. These clippings are a perfect organic nutrient for your lawn. Frequent mowing boosts the density of grass blades and effectively prevents the propagation of weeds.

CUTTING HEIGHT

Your mower's cutting height can be adjusted between 30-60mm (1.18 in-2.36 in). Before starting your mower for the first time, make sure your grass is no longer than 4 in. If longer, use a regular mower to cut it before operating Mower. If you want to drastically shorten the height of your grass, it is recommended that you do so progressively, by adjusting the cutting height in steps.

SECURITY & PIN PROTECTION

To prevent unauthorised people from being able to use it, the mower is protected by a PIN code that you can easily set up. If the mower is

connected to your Wi-Fi network, you can lock it on your smartphone through the app.

TIPS FOR MOWING EFFICIENCY

Mowing times are different for every lawn depending on the factors mentioned below. Gradually adjust the time you allow the mower to mow each day until you find the most suitable setting.

Your robotic mower is capable of mowing areas of different sizes, although this depends on various factors, such as:

- Species of grass in your lawn and its growth rate.
- Sharpness of the cutting blades.
- Humidity.
- Surrounding temperature.
- Amount of obstacles in your Lawn.

Unlike most other mowers, your robotic mower uses a top charging system, which is able to cut the surrounding grass as much as possible. Mower's cutting height can be adjusted between 30-60mm (1.18 in-2.36 in). Before starting your mower for the first time, you should cut the grass to the height no more than 3.94 in with your manual lawnmower. Then, set the cutting height of your mower to its maximum setting 50mm/60mm (2 in / 2.36in) for its first-time mowing. Your mower will cut best in dry weather. Wet grass can build up on the blade turning disc and within the motor, and can also cause loose traction and slippage while working. Your mower is afraid of lightning storms. In case of a lightning storm, protect the mower by unplugging the charging station, disconnecting the boundary wire, and making sure the mower is not allowed to charge.

Your mower loves mowing grass and requires the cutting blades to be kept in good condition to cut at its best. Your mower can do most things by itself, but will sometimes need your help to prevent damage to itself.

- Never let Mower travel over gravel.
- Remove or prevent access to obstacles that Mower could accidentally climb on and damage its blade turning disc.
- Remove all debris and foreign objects from your lawn.

GETTING STARTED

INSTALLATION

Follow the Quick Installation Guide delivered with the product.

Check if the boundary wire is fully pegged to the ground avoiding any slack lengths of wire. Any loose wire can be a trip hazard.

Remove stones, loose pieces of wood, wire, live mains cables and other foreign objects from the cutting area. Make sure that the cutting area is even and has no ditches, grooves and steep slopes above 15°/27 % that are clear obstructions for the mower.

The charging station must be positioned on the wire at an outer edge of the cutting area. It may not be positioned on the side of a tool or garden shed standing as an island within the lawn to be mowed.

It is recommended that you mow your lawn once with a conventional lawnmower before installing and before the first mowing of the new season. The mower's cutting system is designed to cut small lengths of grass. The clippings can remain as mulch to fertilize the lawn.

It is recommended to start with a higher setting and then gradually decrease the height of cut as the wire disappears under the grass. This prevents your mower from cutting the wire. Additional boundary wire can be added using a wire connector.

The boundary wire can be extended up to a maximum length of 350m (1150 feet).

The boundary wire can be buried up to 2 in under the ground (or under non-metallic slabs). To avoid causing damage to the boundary wire, do not Verti-cut or rake the area where it is positioned.

When laying out the wire avoid angles of less than 45°. This can affect the performance.

PREPARATION

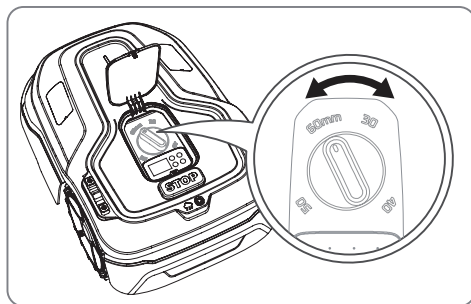
CUTTING HEIGHT ADJUSTING

It is recommended to adjust the cutting height of the grass before working.

Your mower's cutting height can be adjusted between 30-60mm (1.18 in-2.36 in). Before starting your mower for the first time, make sure your grass is no longer than 4 in.

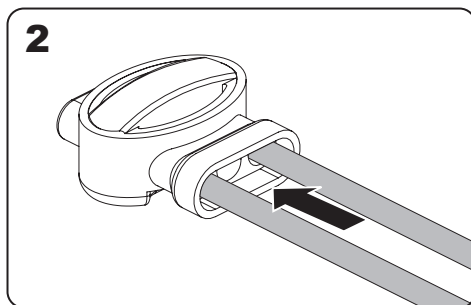
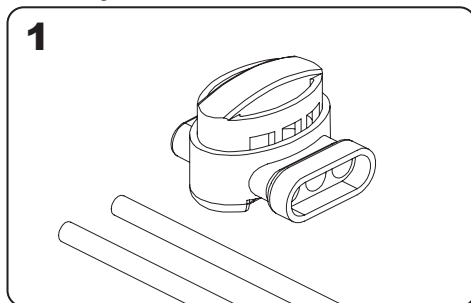
It is recommended to start at a higher setting and then gradually reduce the level as the wire disappears under the grass. This will prevent your mower cutting the wire.

NOTE: The mower is designed to cut small pieces of grass that drop down and fertilize the soil.

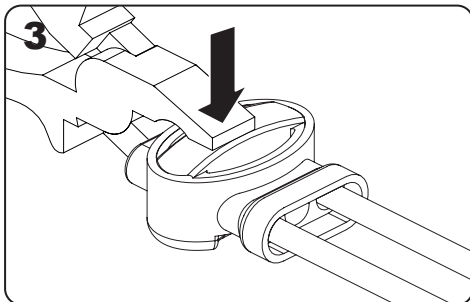


USE OF BOUNDARY WIRE CONNECTOR

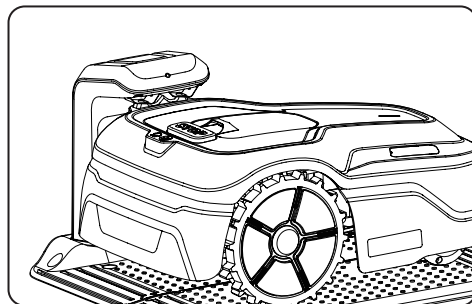
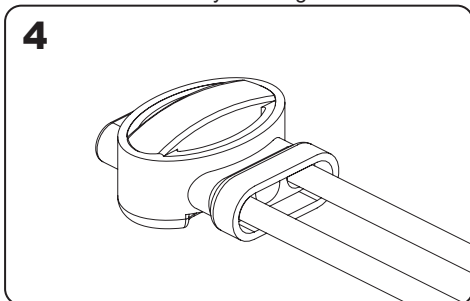
1. Insert 2 unstripped wires completely into connector and check their position by looking through the translucent connector body. See Fig.1-2



2. Hold flat-nose pliers perpendicular to the wires and make the connection by driving the cap down flush with the top edge of the connector body. See Fig.3



3. Double check the wires are firmly fixed into the connector body. See Fig.4



Now, let the mower charge the battery for a while. While it is charging you may want to take a well-deserved break: get familiar with the following instructions, and connect the mower to your Wi-Fi network.

CHARGING

After installation completion, place your mower on the charging station by making sure a good contact is established with the base. The LED light will be red when charging; once the battery is fully charged, the LED will turn solid green.

NOTE:

- Place the base station in a location that is as open as possible with a good Wi-Fi signal. Make sure that no objects might block the signaling area.
- During charging, the mower will automatically update to the latest version, or you can choose to upgrade it in the app.