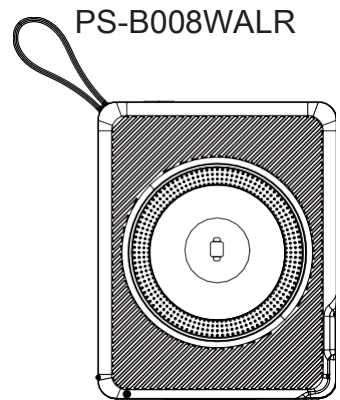
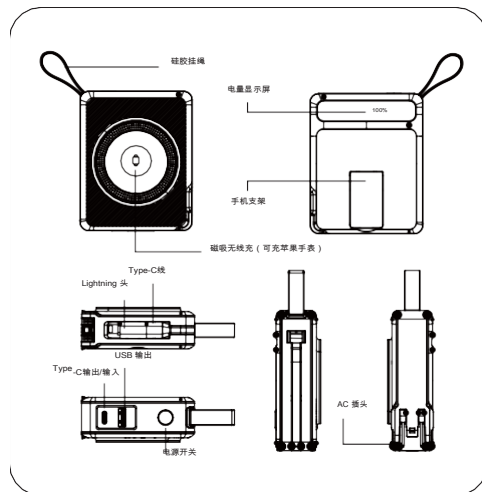


多功能移动电源10000mAh



使用手册

产品示意图



产品参数

型号：PS-B008WALR	材料：防火 ABS+PC
容量：10000mAh@3.7V 37Wh	AC输入：100-240V AC 50Hz/60Hz 0.3A(Max)
Type-C输入 DCSV-12V PD18W Max	Type-C输出：DC 5V-12V/PD 20W Max
Type-C线输出：DC 5V-12V/PD 20W Max	Lightning头输出：DC 5V/2.4A Max
USB输出：DC 5V/3A, 9V/2A, 12V/1.5A 18W Max	无线充电输出：15W Max 苹果手表2.5W)
尺寸：78mm X 97mm X 32mm	适配器模式输出：10W Max

包装清单

1 x 多功能移动电源
可选配件

- 1 x AU 转接插头
- 1 x EU 转接插头
- 1 x UK转接插头
- 1 x IN 转接插头
- 1 x KC 转接插头

使用指南



支持充苹果手表



磁吸无线充



移动电源



手机支架

使用移动电源

从下面选择您 的充电方式并连接到设备，设备将自动开始充电。

1. 内置USB-C 线或lightning线
2. USB-A 口
3. Type-C 口4.
- 无线充 (支持充苹果手表)

给产品充电

该旅行充电器 已经预充电，您可以立即投入使用。不过，一旦该充电器内部电池耗尽，

为了继续使用，您需要选择以下两种选项之一进行充电：

1. 墙插-将折叠式插头插入墙上插座并连接。
2. Type-C接口-将Type-C电缆插入Type-C接口，另一端插入USB充电器。（备注：内置Type-C线和lightning转换头仅用于输出。）

查看剩余电量

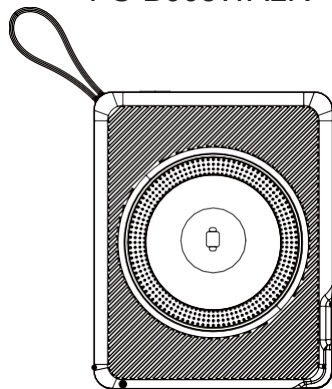
1. 1. 短按电源按键，当前百分比数字将显示在屏幕上。
2. 长期关闭显示屏或在待机状态下30秒左右显示屏和电源将自动关闭。

注意

- 该产品不是玩具，应远离儿童。
- 请勿在阳光直射或极热的环境中长时间使用本产品。
- 请勿将产品或其配件浸入水中。
- 请勿将产品靠近火源。
- 请勿将产品接触刺激性化学品。如
- 果产品已损坏或修改，请勿使用。
- 请勿将任何异物插入产品的开口或端口。
- 请勿试图以任何方式拆卸、修理或打开产品或其配件。

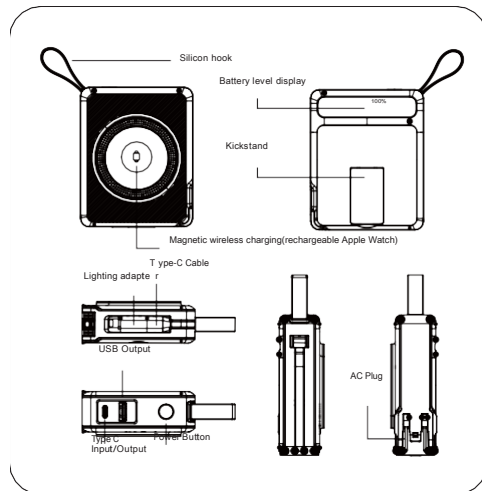
Multi-function Power Bank 10000mAh

PS-B008WALR



User Manual

Product Diagram



Product Parameter

Model: PS-B008WALR	Material: ABS+PC Fireproof
Capacity: 10000mAh@3.7V 37Wh	AC Input: 100~240V AC 50Hz/60Hz 0.3A(Max)
Type-C Input: DC5V3A,9V2A,12V1.5A	Type-C Output: DC 5V3A,9V2.22A, 12V1.67A PD 20W Max
Type-C Cable Output: DC 5V3A,9V2.22A, 12V1.67A PD 20W Max	Lighting adaptor output: DC 5V2.4A, 9V2A
USB Output: DC 5V/3A,9V/2A, 12V/1.5A 18W Max	Wireless Output: 19W (2.9W Max for Apple Watch)

WHAT'S INCLUDED

1 x Multi-function Power Bank
Optional Accessories

- 1 x AU Adapter Plug
- 1 x EU Adapter Plug
- 1 x UK Adapter Plug
- 1 x IN Adapter Plug
- 1 x KC Adapter Plug

User Guide



Charging the Apple Watch



Magnetic Wireless Charger



Power Bank



Kickstand

CHARGING & RECHARGING

Using the Power Bank
Please select your charging method from below and connect to a device.
1. Built-in Cables 2. USB-A Port 3. Type-C Port 4. Wireless Charger

Checking the Battery Level

- Simply press the power button once, and the digital screen will display the current percentage level.
- Double click the power button or in standby mode for about 30 seconds, the display and power will automatically turn off.

Recharging the Multi-function Power Bank

There are two ways to charge the internal battery:

- Wall Plug-Fold out plug and connect to a wall outlet
- Type-C Port-Plug a Type-C cable into the Type-C port. Plug the other end into a USB charger.

NOTE: The attached Type-C cable and Lightning adapter is for output only.

WARNING

- The power bank is NOT a toy and should be kept away from children.
- Please do NOT use the power bank in direct sunlight or extreme heat for extended periods of time.
- Please do NOT submerge the power bank in water.
- Please do NOT leave the power bank near the fire.
- Please do NOT subject the power bank to harsh chemicals.
- Please do NOT use the power bank if it has been damaged and/or modified.
- Please do NOT insert any foreign objects into the openings or port of the power bank.
- Please do NOT attempt to disassemble, repair, or open the power bank in any way.

FCC warning statements:

This equipment has been tested and found to comply with the limits for a Class B digital device, pursuant to part 15 of the FCC Rules. These limits are designed to provide reasonable protection against harmful interference in a residential installation. This equipment generates, uses and can radiate radio frequency energy and, if not installed and used in accordance with the instructions, may cause harmful interference to radio communications. However, there is no guarantee that interference will not occur in a particular installation. If this equipment does cause harmful interference to radio or television reception, which can be determined by turning the equipment off and on, the user is encouraged to try to correct the interference by one or more of the following measures:

- Reorient or relocate the receiving antenna.
- Increase the separation between the equipment and receiver.
- Connect the equipment into an outlet on a circuit different from that to which the receiver is connected.
- Consult the dealer or an experienced radio/TV technician for help.

Caution: Any changes or modifications to this device not explicitly approved by manufacturer could void your authority to operate this equipment.

This device complies with part 15 of the FCC Rules. Operation is subject to the following two conditions: (1) This device may not cause harmful interference, and (2) this device must accept any interference received, including interference that may cause undesired operation.

The device has been evaluated to meet general RF exposure requirement.