

深圳市朋伴兴业科技有限公司

产品规格承认书

SPECIFICATIONS

编号 Numbering	2017
品名 Name of article	CHIP2450-21
客户型号 Customer model	
制作 Make	XD
审核 Audit	
日期 Date	2017.8.1

UNLESS OTHER SPECIFIED TOLERANCES ON:

X=± X.X=± X.XX=±
 ANGLES = ± HOLE DIA = ±



深圳市朋伴兴业科技有限公司

SCALE: N/A

UNIT: mm

DRAWN BY: Sera

CHECKED BY: XD

DESIGNED BY: Sera

APPROVED BY: XD

THIS DRAWINGS AND SPECIFICATIONS ARE THE PROPERTY OF
 HONMAX TECHNOLOGY Limited AND SHALL NOT BE REPRODUCED OR
 USED AS THE BASIS FOR THE MANUFACTURE OR SALE OF APPARATUS
 OR DEVICES WITHOUT PERMISSION

TITLE: CHIP2450-21 Specification

DOCUMENT
NO.

2017

SPEC REV.
P1

CHIP-2450-21 Specification

Operating Temp. : -40°C~+85°C

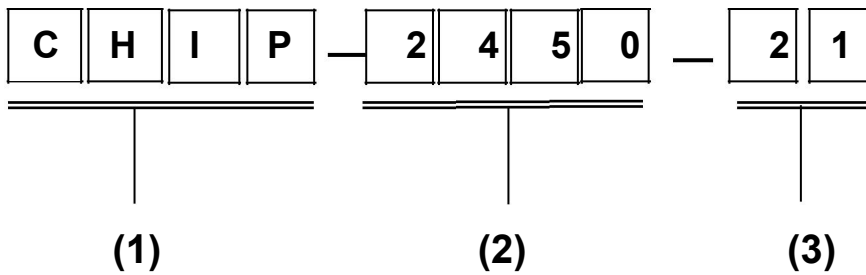
1. FEATURES:

- Light weight, compact
- Wide bandwidth, low cost
- Built-in antenna with high gain

2. APPLICATIONS:

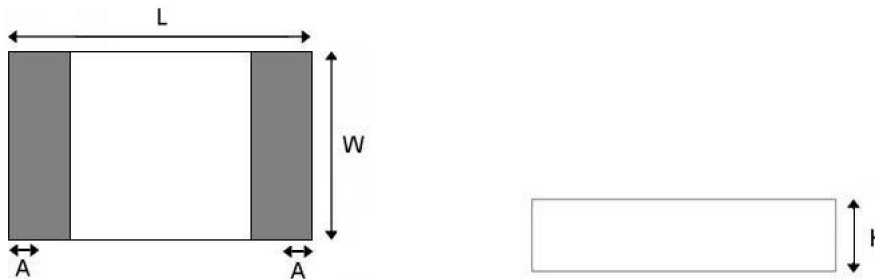
- Bluetooth, Wireless LAN, Mobile TV
- Home RF system, etc

3. PRODUCT IDENTIFICATION



- (1) Product type: Multilayer chip Antenna
- (2) Center Frequency: 2450MHz
- (3) External Dimensions (L×W) (mm): 2.0*1.2

4. SHAPE AND DIMENSIONS:



SHAPE AND DIMENSIONS

L	W	H	A
2.0±0.3	1.2±0.3	0.55±0.2	0.4±0.25

UNLESS OTHER SPECIFIED TOLERANCES ON:

X=± X.X=± X.XX= ANGLES = ± HOLE DIA = ±



深圳市朋伴兴业科技有限公司

SCALE: N/A

UNIT: mm

DRAWN BY: Sera

CHECKED BY: XD

DESIGNED BY: Sera

APPROVED BY: XD

THIS DRAWINGS AND SPECIFICATIONS ARE THE PROPERTY OF HONMAX TECHNOLOGY Limited AND SHALL NOT BE REPRODUCED OR USED AS THE BASIS FOR THE MANUFACTURE OR SALE OF APPARATUS OR DEVICES WITHOUT PERMISSION

TITLE: CHIP2450-21 Specification

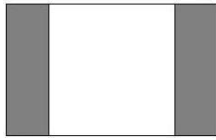
DOCUMENT NO.

2017

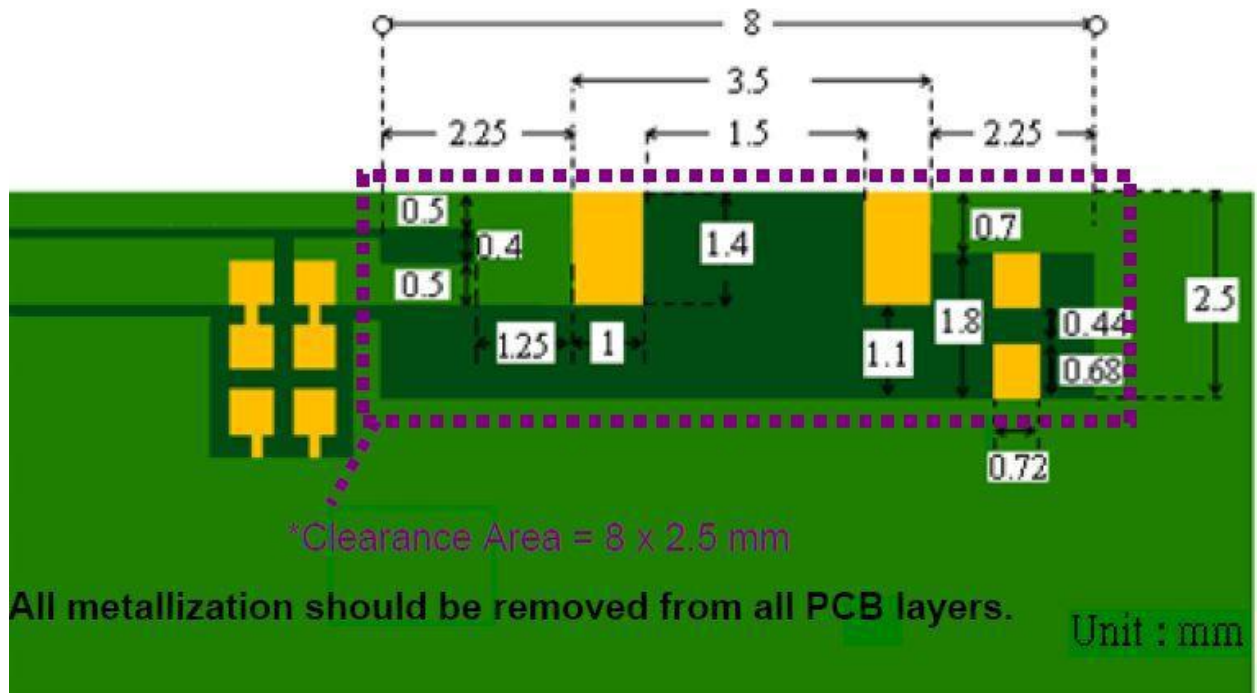
SPEC REV.

P1

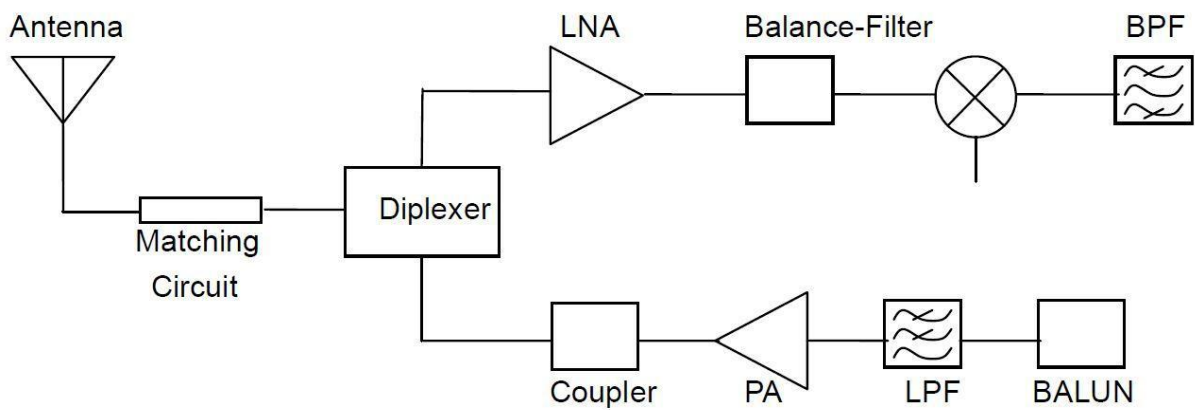
TERINAL-CONFIGURATION




EVALUATION BOARD



APPLICATION GUIDE



UNLESS OTHER SPECIFIED TOLERANCES ON: X=± X.X=± X.XX=± ANGLES = ± HOLE DIA = ±		 深圳市朋伴兴业科技有限公司
SCALE: N/A	UNIT: mm	
DRAWN BY : Sera	CHECKED BY: XD	THIS DRAWINGS AND SPECIFICATIONS ARE THE PROPERTY OF HONMAX TECHNOLOGY Limited AND SHALL NOT BE REPRODUCED OR USED AS THE BASIS FOR THE MANUFACTURE OR SALE OF APPARATUS OR DEVICES WITHOUT PERMISSION
DESIGNED BY: Sera	APPROVED BY: XD	
TITLE: CHIP2450-21 Specification		DOCUMENT NO. 2017 SPEC REV. P1

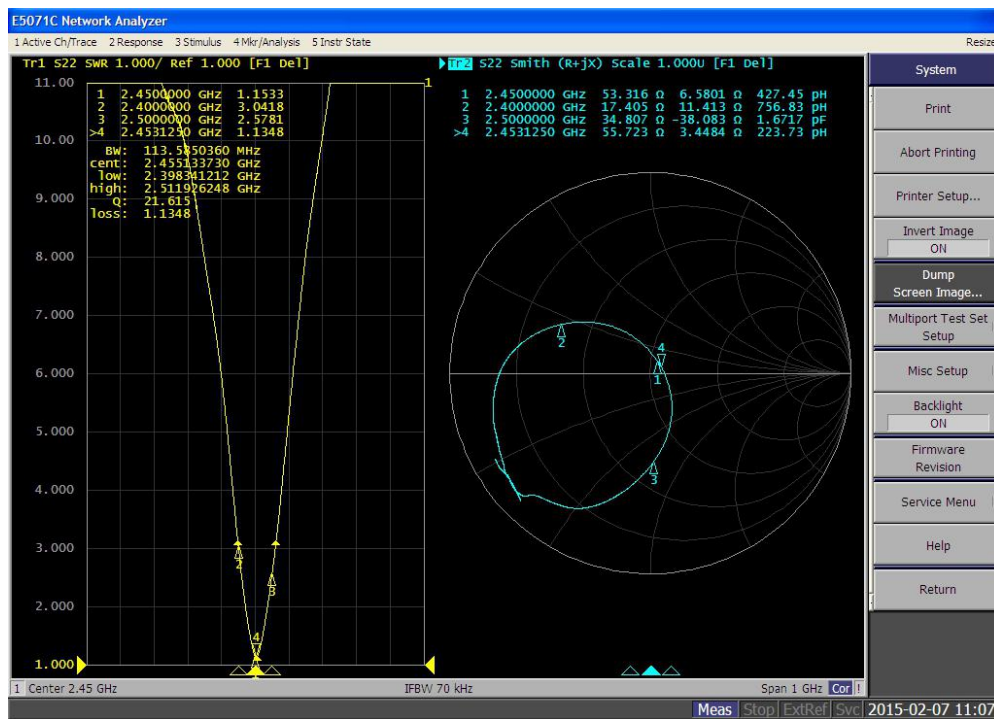
5. SPECIFICATIONS:

ITEM	SPECIFICATION
Frequency Band	2400MHz~2483MHz
VSWR	Less than 3
Polarization	Linear
*Peak Gain	-1.0 dBi Typ.
*Peak Efficiency	72.6% Typ.
Impedance	50Ω Typ.

* Test condition: Test board size 98*65 mm Matching circuit: Pi matching circuit will be required

6. Electrical Characteristics :

VSWR



Mark	Frequency	VSWR
1	2400 MHz	3.04
2	2450 MHz	1.15
3	2500 MHz	2.57

UNLESS OTHER SPECIFIED TOLERANCES ON:

X=± X.X=± X.XX= ANGLES = ± HOLE DIA = ±



深圳市朋伴兴业科技有限公司

SCALE: N/A

UNIT: mm

THIS DRAWINGS AND SPECIFICATIONS ARE THE PROPERTY OF HONMAX TECHNOLOGY Limited AND SHALL NOT BE REPRODUCED OR USED AS THE BASIS FOR THE MANUFACTURE OR SALE OF APPARATUS OR DEVICES WITHOUT PERMISSION

DRAWN BY : Sera

CHECKED BY: XD

DESIGNED BY: Sera

APPROVED BY: XD

TITLE: CHIP2450-21 Specification

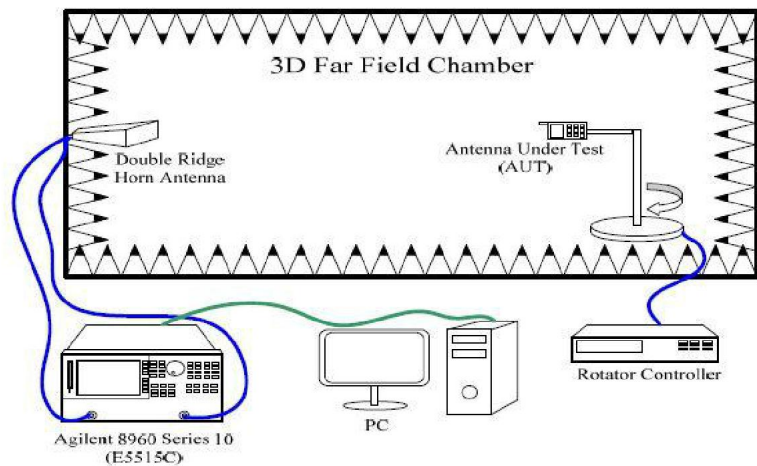
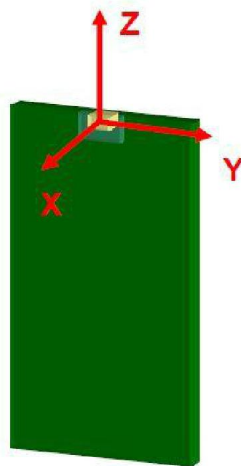
DOCUMENT NO.

2017

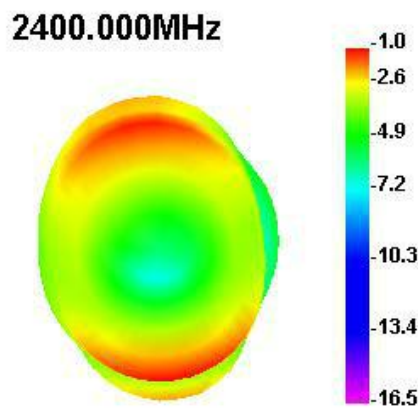
SPEC REV. P1

Radiation Pattern

The Gain pattern is measured in INPAQ's FAR-field chamber. DUT is placed on the table of rotator, a standard horn antenna and Vector Network Analyzer is used to collect data.

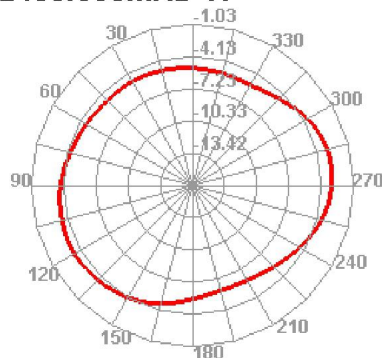


© 3D Gain Pattern (2400 MHz)

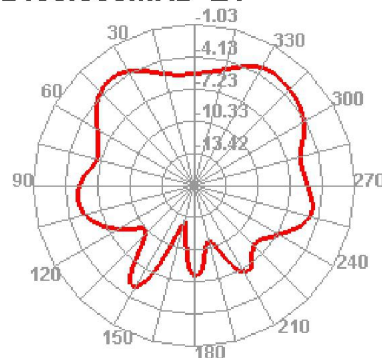


© 2D Gain Pattern (2400 MHz)

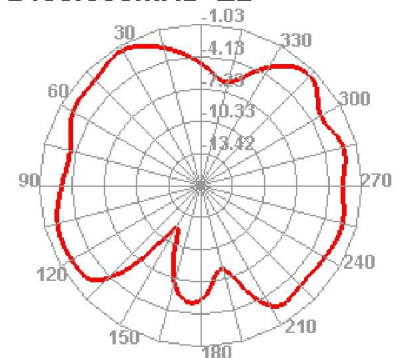
2400.000MHz H



2400.000MHz E1



2400.000MHz E2



UNLESS OTHER SPECIFIED TOLERANCES ON:

X=± X.X=± X.XX=±
 ANGLES = ± HOLE DIA = ±

SCALE: N/A

UNIT: mm

DRAWN BY: Sera

CHECKED BY: XD

DESIGNED BY: Sera

APPROVED BY: XD



深圳市朋伴兴业科技有限公司

THIS DRAWINGS AND SPECIFICATIONS ARE THE PROPERTY OF HONMAX TECHNOLOGY Limited AND SHALL NOT BE REPRODUCED OR USED AS THE BASIS FOR THE MANUFACTURE OR SALE OF APPARATUS OR DEVICES WITHOUT PERMISSION

TITLE: CHIP2450-21 Specification

DOCUMENT NO.

2017

SPEC REV. P1