



# Operation instruction

## for AC Charging Pile



**Nlightend Smart Tech.Co.,Ltd**

About this instruction:

This instruction is applicable to electric vehicle of BHZD.

This instruction mainly introduces part features, composition, installation, commissioning, operation and maintenance of BHZD AC Charging Pile.

Please read this instruction carefully before use and operate according to it.

# Catalogue

1. Introduction .....	3
2. Product features .....	4
3. Main technical parameters .....	5
4. Appearance description.....	6
5. NOTICES .....	7
6. Description of packaging accessories....	8
7. Installation Settings.....	9
9. Charging Pile Operation Instructions....	12
10. Common Issues Handling.....	13
11. After-sales Service .....	14

# 1.Introduction

BHZD EV AC Charging Pile are developed by the company of BHZD to meet the charging needs of new energy vehicles, Provide maximum 240V 40A charging ability.

This product is simply installed in one small areas. It is suitable for private parking garage, public parking garage, community parking lot and company special parking lot.



Product outline picture

## 2.Product features

- ◆ It has a unique disc design and convenient for hanging.
- ◆ This part has one 4.3inch display screen. It is configured, and shows the real-time charging status at a glance.
- ◆ Charging when plug in, Stop charging when full.
- ◆ it has the functions of over-voltage and under voltage protection, over-temperature protection, over-current protection, leakage protection, lightning protection, emergency stop protection and so on to ensure the safety and reliability of the product.
- ◆ The structure adopts rainproof and dustproof design, with IP55 protection grade, suitable for indoor and outdoor.
- ◆ Simple installation, operation and maintenance
- ◆ This product has voice prompt function and auxiliary prompt charging function.
- ◆ 10 LED water lamps are designed for breathing and charging state, and different colors are displayed in different states.

### 3.Main technical parameters

AC Series				
product model		BHZD-A32A	BHZD-A40A	BHZD-A50A
Electrical specifications				
AC input	input voltage range	240 VAC		
	Plug	NEMA 14-50P		
	Maximum input current	32A	40A	40A
	frequency	60Hz		
AC output	maximum output current	32A	40A	40A
	leakage current protection	≤30mA		
Service Environment				
working temperature		-25°C -55°C		
humidity		Maximum 95% (Relative humidity)		
altitude		≤2000m		
Enclosure rating:		Type 3R		
cooling-down method		natural cooling		
External Structure				
Size (L*W*H)		460*220*200mm		
Enclosure material		ABS+PC		
net weight		6.6KG (with a Vehicle Connector)		
Output cable of Vehicle Connector		5m (16 feet)		
Protection Mechanism				
Enter the test		Low voltage, overvoltage, lightning strike protection, grounding fault		
Output measurement		Overcurrent, control signal fault detection and protection, electric leakage protection		
interior		Over temperature, self-detection protection of leakage current, and error detection of MCU function		
Certification Specification				
standard		UL2594 UL2231-1/-2		
attestation		UL/FCC		
Charging interface		SAEJ1772, Type 1		
Status Function				
Status indication		LED waterfall light		
		A 4.3-inch OLED display		
Communication Mode				

Ethernet way	Plug and Play / swipe card start and stop(NFC)
communicating function	WIFI and Bluetooth

## 4. Appearance description



- 1) Housing materials: PC
- 2) LED display: 4.3-inch LCD display 5 charging is on real-time display.
- 3) Emergency stop switch
- 4) LED indicator: different states display different states
- 5) 5m (16ft) cable of Vehicle Connector

- 6) NEMA 14-50P plug

## 5.NOTICES

Before using this product, please read this manual and all instructions and warnings. When using the product, please keep the basic preventive measures, including the following contents:

- 1) During the installation and replacement of the charging pile, be sure to cut off the power to prevent electric shock
- 2) The wires of charging pile must be firmly connected, insulated, and well grounding connected.
- 3) Please operate strictly according to the instructions. Do not install or operate in a non working environment.
- 4) Please do not insert your finger into the charging hole during charging
- 5) Do not use the equipment when it is damaged. Please ask professional maintenance personnel to repair or contact after-sales service personnel
- 6) If the socket is loose, rusty and aging, please stop using it immediately and replace it with a new socket.
- 7) Do not use in rainstorm.
- 8) For vehicles that support electronic lock, pull out the pile Vehicle Connector by

press the micro button after unlocking. It is not allowed to plug and unplug with force.

- 9) If you need any maintenance or repair, please contact the sales service in time. Please do not disassemble the equipment by yourself. Improper disassembly may cause electric shock or fire.

## **6. Description of packaging accessories**

The packing box contains the following accessories:

- 1) EV AC Charger (including cable of Vehicle Connector)
- 2) Operating instructions
- 3) One Install hanging plate
- 4) KA4 \* 20 expansion screws (including plastic expansion pipe) 4PCS





# 7. Installation Settings


## Installation environment requirements:

- 1) The EV Charger is an indoor and outdoor one, which meets the protection grade of Type 3R and can be installed in the open area.
- 2) Please ensure that the ambient temperature is within the range of -25 °C ~ + 55 °C.
- 3) No inflammable and explosive article near the installation sites.
- 4) No be in low-lying areas or water areas near the installation sites.
- 5) The pile installation must be supported by the wall. If there is no wall, it is recommended to use a special column for installation and fixation.
- 6) When installing the Charger, ensure that the charger is vertical, and the installation height is about 1.1m from the center point of the Vehicle Connector base to the horizontal ground

## Installation preparation:

Installation toolings:

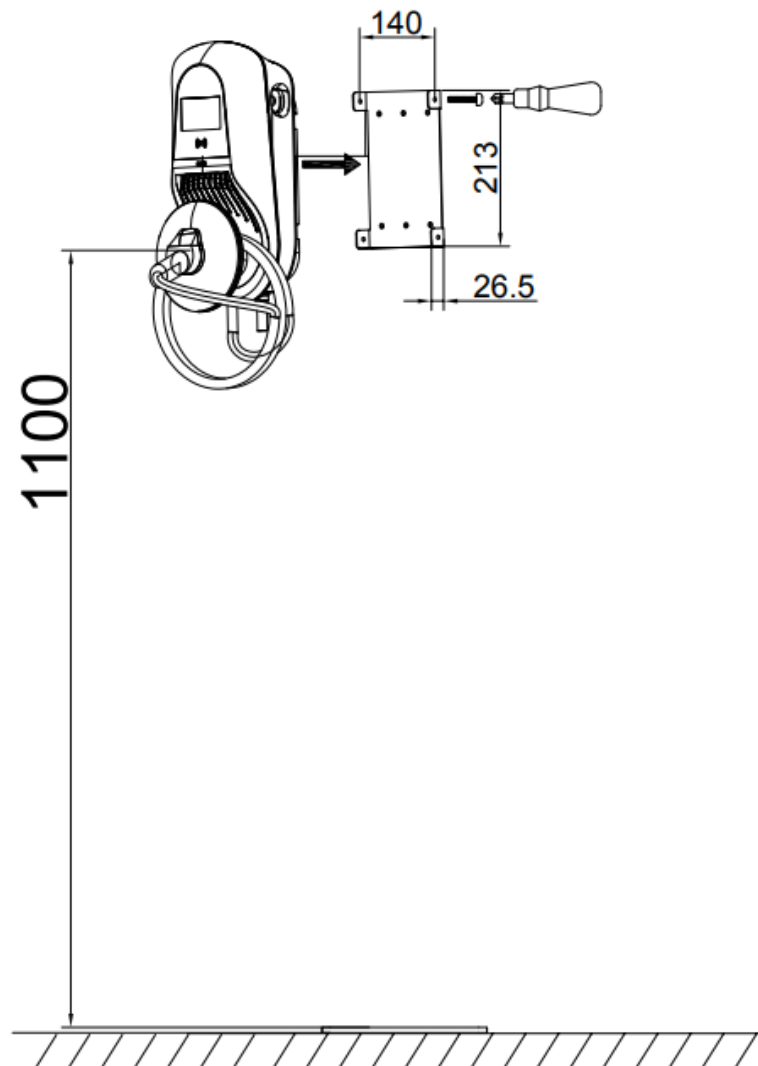
Tool name	Pic	purpose
Phillips screwdrivers (PH2*150mm) (PH3*250mm)		Fasten screw
Diagonal pliers		Cut cable

Insulated torque wrench		Fasten screw bolt
Cable Name	Cable spec	Length

## Installation Methods:

- According to the position of the mounting hole on the hanging plate, mark the hole position on the wall, use a percussion drill to drill the hole, put in the plastic expansion pipe, and then fix the hanging plate on the wall with 4pcs KA4x20 expansion screws.
- Fix the charger and hanging plate with 4pcs M4x16 screws

**Installation as below:**



## Wiring Mode

- 1) Please use an independent power supply to the charging pile to avoid sharing with other equipment.
- 2) Put the NEMA 14-50P into the NEMA 14-50R
- 3) Pls ask a professional to install and connect.

## 8. Equipment power on inspection and debugging

### Pre operation inspection of the EV Charger

- 1) Ensure that the charger is installed in a position and for easy operation and maintenance.
- 2) Ensure that the charger is correctly connected to the accessories and firmly installed.
- 3) The selection of leakage protection switch at the wiring is reasonable.
- 4) No components or sundries left

### Equipment Power On

- 1) After the confirmation above is OK, close the leakage protection switch of the power incoming line
- 2) After power on, pls check whether the OLED display is on and whether there is a voice prompt to turn on, and LED indicator status. If there is no abnormality, the debugging is OK.

### Light Indication

Blue breathing flashing	Standby
Green breathing flashing	In charging
Green lighting mode	Charging finished
Red breathing flashing	Charging Fault (LCD show fault reason)

## 9. Charging Pile Operation Instructions

Charging start sequence and stop charging sequence

- ◆ Turn on the power supply of the EV Charger and the charger starts self inspection. If there is no abnormal reminder on the display screen and the blue of the running light flashes, open the car charging socket and insert the plug of the EV Charger into the socket. After detecting that the S2 switch of the car is turned on, the charger starts charging and the green light flashes

After the charging finished, the display screen and voice prompt that the charging is completed, and the green light of the EV charger is always on. At this time, pull the Vehicle Connector out of the car charging socket, close the car charging socket cover, and insert the Vehicle Connector into the socket for the disc of the charging pile.

### **Notice:**

1. Swipe card version need swipe card to start charging
2. Swipe card version can swipe card to stop charging

## 10. Common Issues Handling

Fault Phenomenons	Possible Causes	Handling Method
light of the charging pile or the display screen is not on	The power cord is not connected properly	1.Check if the incoming line of the power is connected properly 3.Confirm whether the power switch is on
	Equipment damage	Please contact after-sales service
Unable to charge	Vehicle Connector not fully connected	Please unplug the Vehicle Connector and reinsert it to confirm
	The card does not match	Please use the card attached to the EV Charger
	Emergency stop button pressed	Follow the emergency stop button and rotate the button to restore the emergency stop button to normal
The red light flashes	Equipment Fault	Please contact after-sales service

The display shows a fault	Equipment Fault	Please contact after- sales
------------------------------	-----------------	--------------------------------

## 11. After-sales Service

- 1) The warranty period of this product is two years. Please provide the purchase certificate as the product warranty certificate during the period.
- 2) During the warranty period, repair the non-human faults under normal usage according to the operating instructions
- 3) For products beyond the warranty period or not within the warranty scope, the company provides paid maintenance services
- 4) 24-hour after-sales service telephone: 400-860-5750

## 12. Warning

Please take attention that changes or modification not expressly approved by the party responsible for compliance could void the user's authority to operate the equipment.

This device complies with Part 15 of the FCC Rules. Operation is subject to the following two conditions:

- (1) This device may not cause harmful interference, and
- (2) This device must accept any interference received, including interference that may cause undesired operation.

This equipment complies with FCC/IC RSS-102 radiation exposure limits set forth for an uncontrolled environment. This equipment should be installed and operated with minimum distance 20cm between the radiator & your body.

This device contains licence-exempt transmitter(s)/receiver(s) that comply with Innovation, Science and Economic Development Canada's licence-exempt RSS(s). Operation is subject to the following two conditions:

- (1) This device may not cause interference.
- (2) This device must accept any interference, including interference that may cause undesired operation of the device.

l'appareil contient des émetteurs/récepteurs exempts de licence qui sont conformes aux CNR exempts de licence d'Innovation, Sciences et Développement économique Canada. L'exploitation est soumise aux deux conditions suivantes :

- (1) l'appareil ne doit pas produire de brouillage,
- (2) l'utilisateur de l'appareil doit accepter tout brouillage radioélectrique subi, même si le brouillage est susceptible d'en compromettre le fonctionnement.

ce matériel est conforme aux limites de dose d'exposition aux rayonnements, FCC / CNR-102 énoncée dans un autre environnement. cette équipement devrait être installé et exploité avec distance minimale de 20 entre le radiateur et votre corps.

WARNING – When using electric products, basic precautions should always be followed, including the following. This manual contains important instructions for Models BHZD-A32A, BHZD-A40A, BHZD-A50A that shall be followed during installation, operation and maintenance of the unit.

- a) Read all the instructions before using this product.
- b) This device should be supervised when used around children.
- c) Do not put fingers into the electric vehicle connector.
- d) Do not use this product if the flexible power cord or EV cable is frayed, has broken insulation, or any other signs of damage.
- e) Do not use this product if the enclosure or the EV connector is broken, cracked, open, or shows any other indication of damage.