

# Inverted F Antenna Specification

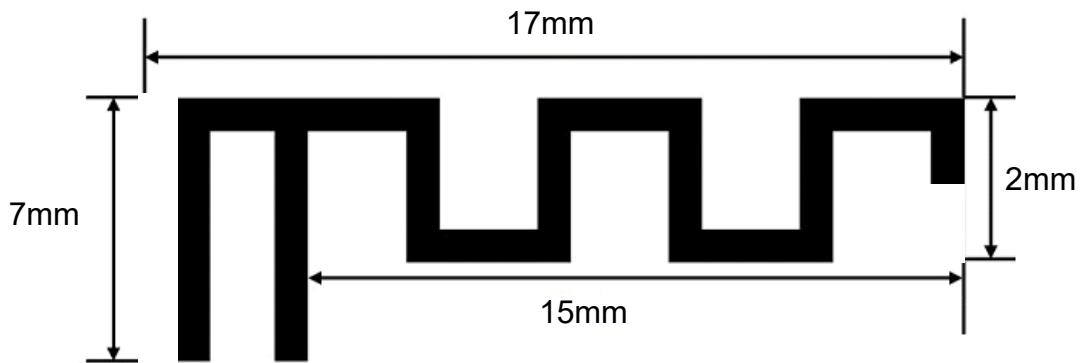
## Summary

ITEM	ANT SPEC					
Model Name	2.4G ANT					
Center Frequency	Horizontal			Vertical		
	2400M Hz	2450M Hz	2500M Hz	2400M Hz	2450M Hz	2500M Hz
	-1.26	-0.76	-0.58	-5.25	-2.46	-1.86
MAX. Gain	-0.58dBi					
Polarization	Horizontal and Vertical					
Azimuth Beam Pattern	Omnidirectional					
Impedance	50 Ohm					
Antenna Length	38.20mm					
Manufacturer	ZHUHAI JIELI TECHNOLOGY CO., LTD					

Address

No. 333 Kexing Road, Xiangzhou District, Zhuhai City

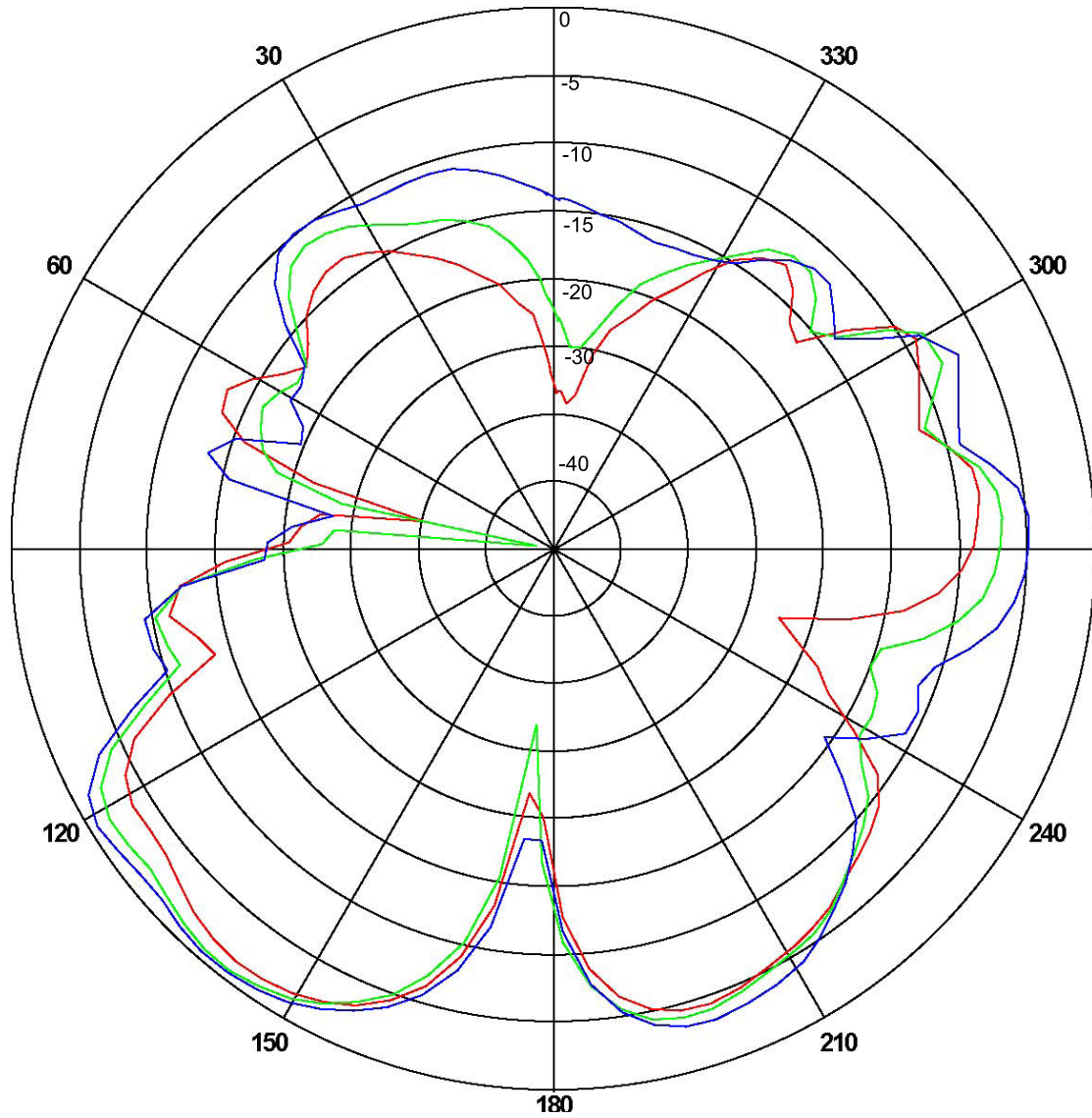
## Antenna Photo & Length (mm)



Horizontal: 2400 MHz 2450 MHz 2500 MHz

Power (dBm)

Max: 0 Min: -40 Scale: 5/div

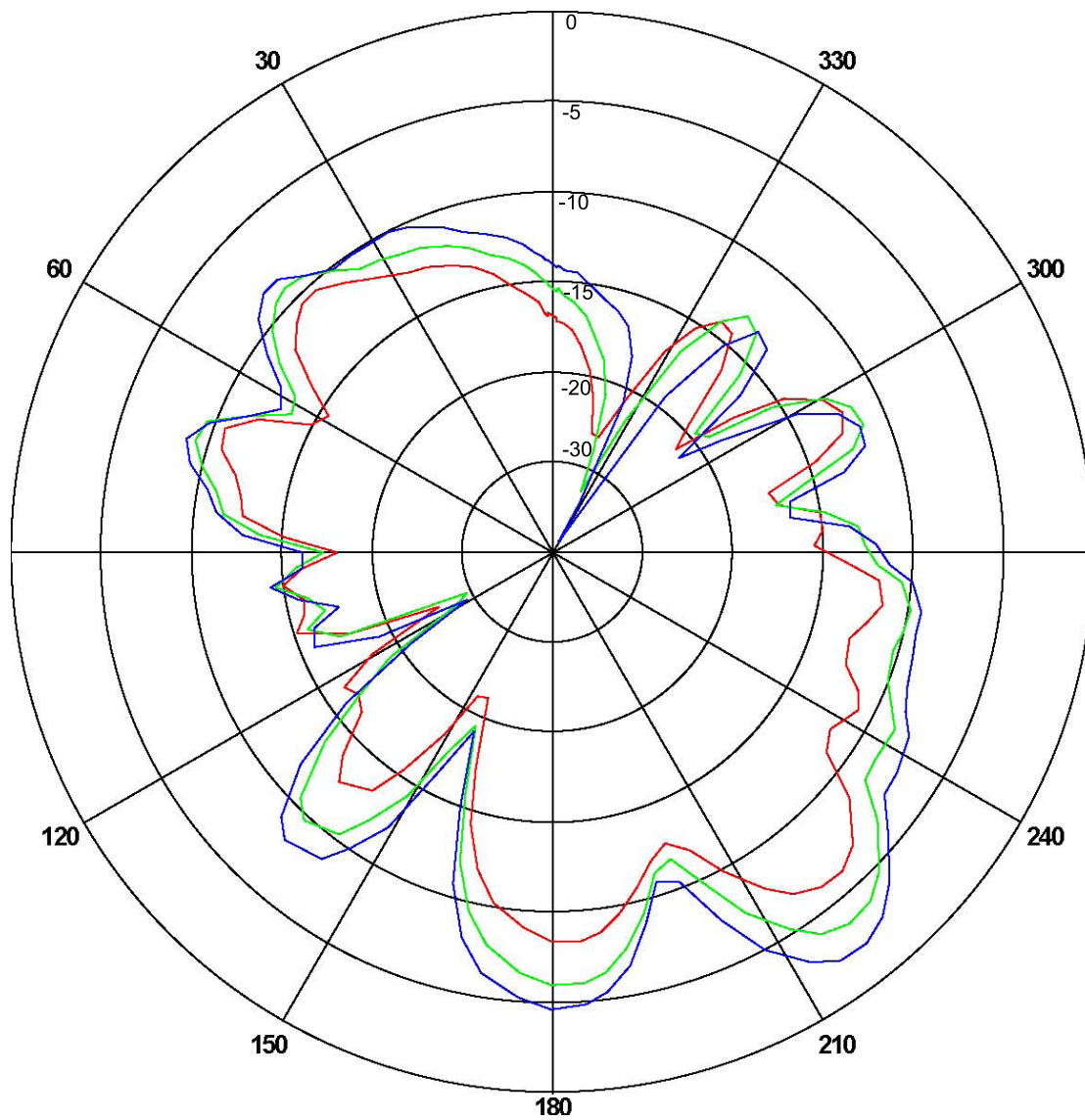


Frequency (M Hz)	G ain(dB )		
	M ax	M in	A vg
2400	-1.26174	-30.0801	-7.18716
2450	-0.765802	-36.5604	-7.48023
2500	-0.585582	-22.0315	-6.59127

Vertical: 2400 MHz 2450 MHz 2500 MHz

Power (dBm)

Max: 0 Min: -30 Scale: 5/div



Frequency (M Hz)	G ain(dB )		
	M ax	M in	A vg
2400	-5.2537	-22.1424	-12.4294
2450	-2.4652	-24.5837	-10.4702
2500	-1.86120	-29.5214	-9.20432

ANT Test Labs: A ttestation of G lobal C ompliance C o., Ltd.