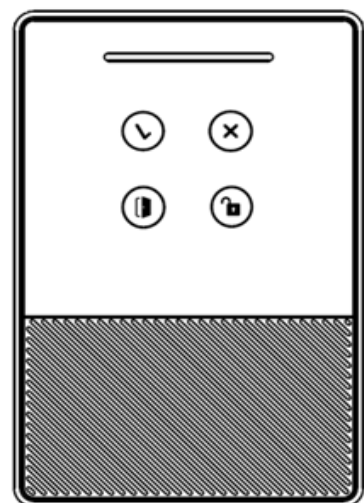


# Installation Guide

IRD4M

*Smart Mobile ID Reader*

V.1.0.0 English



**Contents**

---

|                                   |    |
|-----------------------------------|----|
| Safety instructions               | 3  |
| Introduction                      | 5  |
| Components                        | 5  |
| Name of each part                 | 5  |
| Cables and connectors             | 6  |
| Installation                      | 7  |
| Product specifications            | 8  |
| Dimensions                        | 9  |
| FCC compliance information        | 10 |
| EU Declaration of Conformity (CE) | 10 |

# Safety instructions

Observe the following instructions to use the product safely and prevent any risk of injury or property damage.



## Warning

Noncompliance of instructions could lead to serious injury or death.

## Installation

**Do not install the product in a place with direct sunlight, moisture, dust, or soot.**

- A fire or electric shock may occur.

**Do not install the product in a place with heat from an electric heater.**

- A fire or electric shock may occur due to overheating.

**Install the product in a dry place.**

- Otherwise, a product damage or electric shock may occur due to moisture.

**Install the product in a place with no electromagnetic interference.**

- Otherwise, a product damage or electric shock may occur.

**The user should not install or repair the product independently.**

- A fire, electric shock, or personal injury may occur.
- If the product has been damaged due to independent installation or repair of the product by the user, free A/S service will not be provided.

## Operation

**Do not allow liquids such as water, beverages, or chemicals get into the product.**

- A fire, electric shock, or product damage may occur.



## Caution

Noncompliance of instructions could lead to minor injury or product damage.

## Installation

**Do not install the power supply cable in a place where people pass by.**

- Product damage or physical injury may occur.

**Do not install the product near a highly magnetic object such as a magnet, TV, (especially CRT) monitor, or speaker.**

- A product failure may occur.

**If installing the product outside where the product is completely exposed, it is recommended to install the product together with the enclosure.**

**Keep the minimum separation distances between the devices when install multiple devices.**

- Otherwise, RF performance affects to the other device, the devices may not operate normally.

## Operation

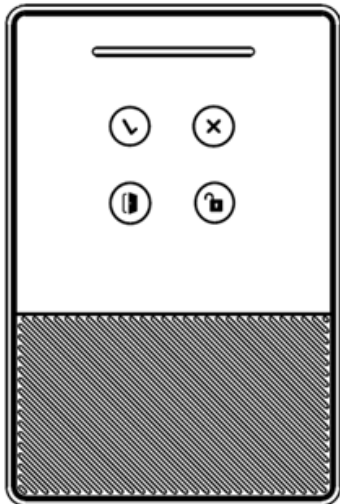
**Do not drop the product or apply an impact to the product.**

- A product failure may occur.

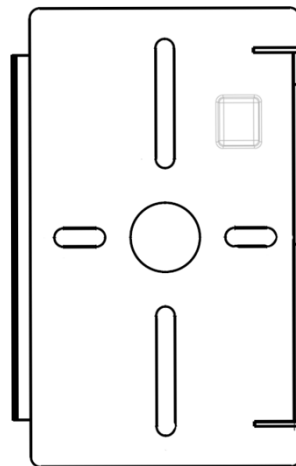
**When cleaning the product, wipe the product with a soft and dry cloth and no water, benzene or alcohol.**

- Otherwise, a product failure may occur.

Components



IRD4M

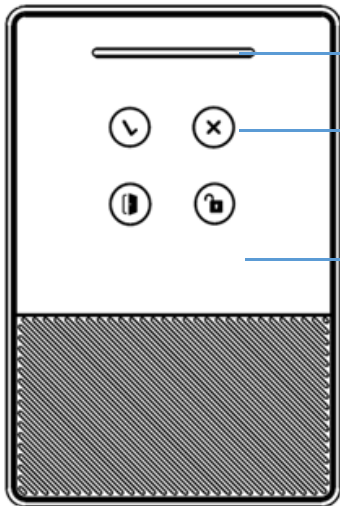


Wall Bracket  
Wall Bracket

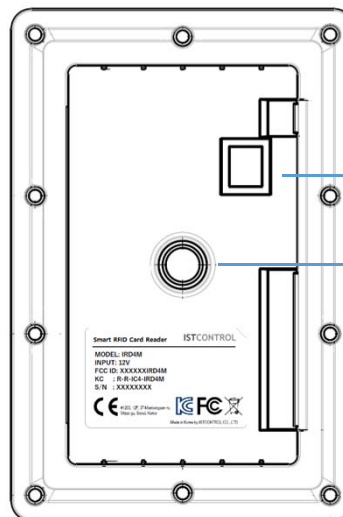


Screw x 2  
Screw x 2

Name of each Part



- LED Indicator
- LED Icon indicator
- RFID card authentication unit



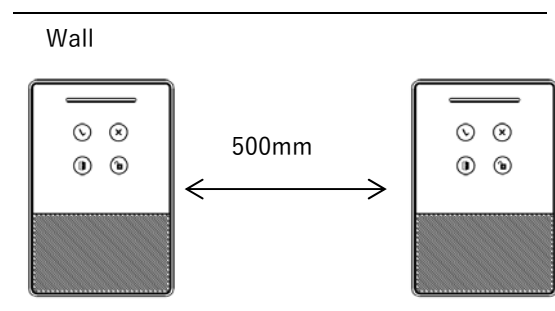
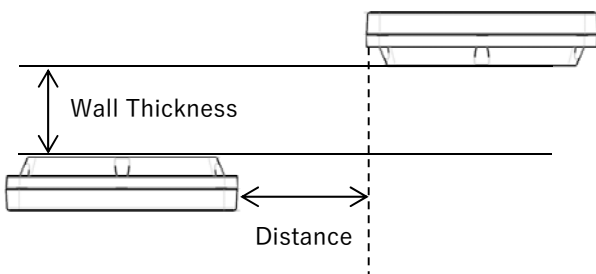
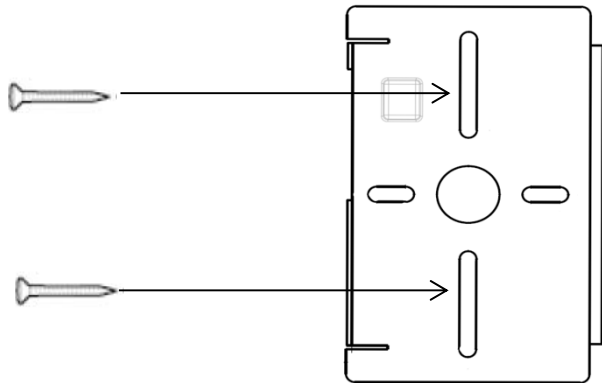
- Tamper Sensor
- Cable

**Cables and connections**

| PIN |          | English             | 한국어   |
|-----|----------|---------------------|---|
|     |          | Color               | 색상  |
| 1   | PWR +VDC | Red                 | 빨간색   |
| 2   | PWR GND  | Black               | 검은색   |
| 3   | WG DO    | Green               | 초록색   |
| 4   | WGD1     | White               | 흰색  |
| 5   | 485 TRXA | Yellow(Gray Stripe) | 노란색 (회색띠)   |
| 6   | 485 TRXB | White (Gray stripe) | 흰색 (회색띠)  |
| 7   | RED LED  | Brown               | 갈색  |
| 8   | GRN LED  | Orange              | 주황색   |
| 9   | BUZZER   | Yellow              | 노란색   |
| 10  | TAMPER   | Violet              | 보라색   |
| 11  | EXT IN1  | SKY                 | 하늘색  |
| 12  | EXT IN2  | Blue                | 파랑색  |
| 13  | EXT IN3  | Pink                | 분홍색  |
| 14  | EXT IN4  | Gray                | 회색   |

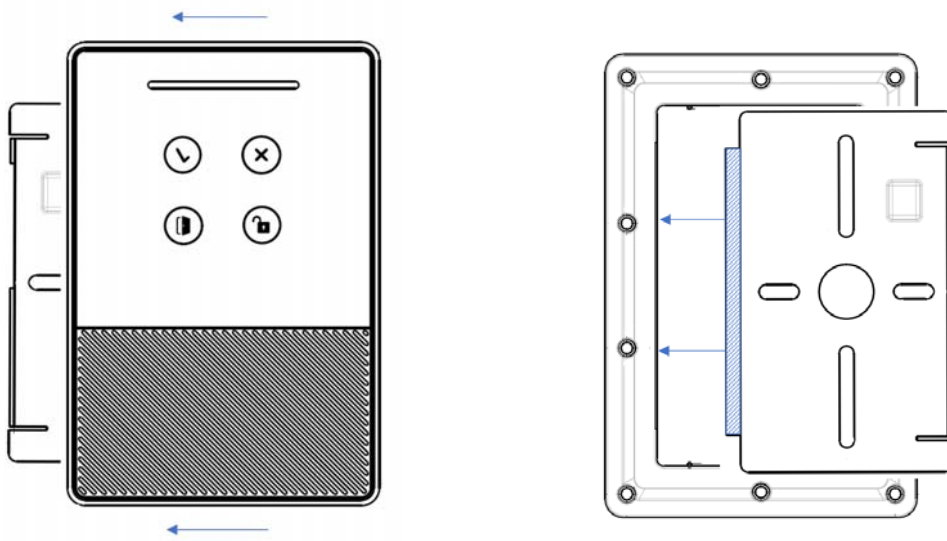
## Installation

1. Determine the correct position to install the bracket. Fix the bracket firmly using fixing screws through the bracket to the position where IRD4M will be installed.



| Wall Thickness | Distance |
|----------------|----------|
| 100mm          | 460mm    |
| 120mm          | 460mm    |
| 150mm          | 400mm    |

2. Put the reader on top of the bracket and slightly to the right side of bracket and slide it from right to left inserting the comb pattern side of the bracket into the groove on the back of the reader.
3. Press the reader firmly toward the wall until you hear click sound.



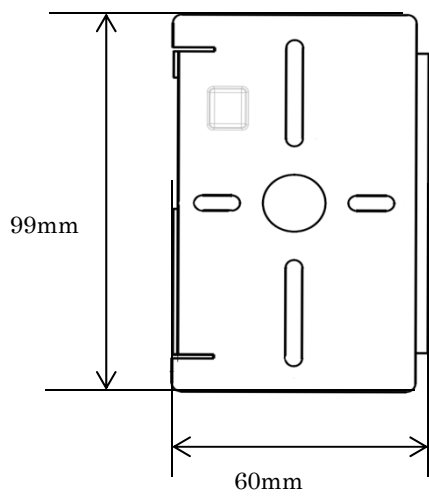
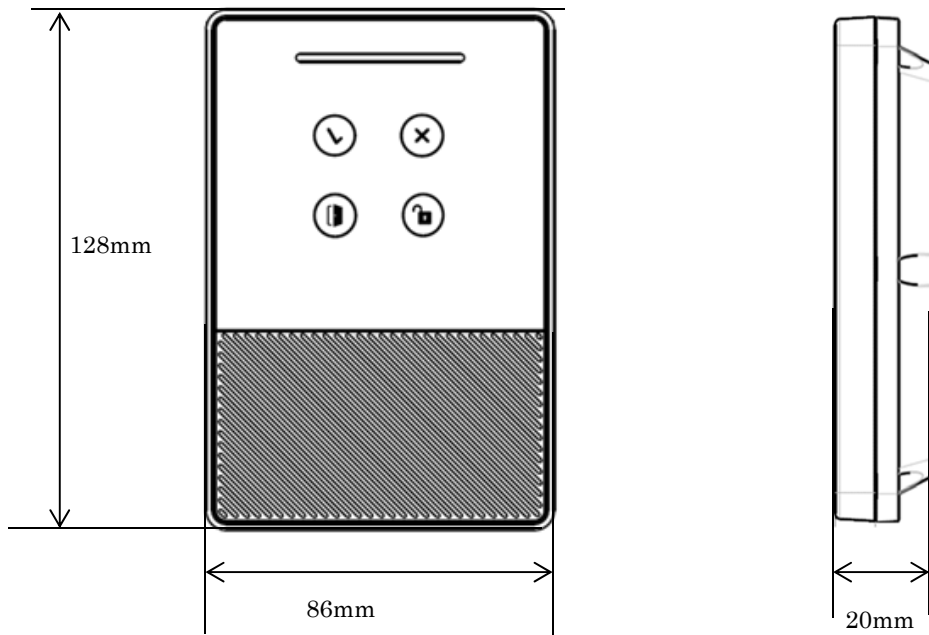
## Product Specification

| Base Part Number | Input Voltage (VDC) | Current     |         |       | Operation Temperature | Cable Length  |
|------------------|---------------------|-------------|---------|-------|-----------------------|---|
|                  |                     | Standby AVG | Max AVG | Peak  |                       |   |
| IRD4M            | 12V                 | 250mA       | 300mA   | 400mA | -20°C ~ 60°C          | Wiegand : 22 AWG (150m)<br>24 AWG (90m)<br>RS-485 : 4 AWG (1,200m)<br>24 AWG (500m) |

- Controls LED through LED Control- RED LED, GRN LED Input.
- BUZZER Control – Controls the buzzer output through the buzzer input (Yellow).
- Optical Tamper - Once activated, and when the mounting plate is removed, the optical Tamper is activated.
- Icon LED Control – Controls the four icon LED through EXT IN 1~4 line.
- Using the integrated Wiegand version, when the integrated Wiegand version Firmware of DNX control is applied, also the door contact sensor signal and the Exit button signal line is connected to EXT IN 3(pink) and EXT IN 4(gray) line of the reader. it delivers to DNX control through the communication between the door contact signal and the lock status signal.



## Dimensions



## **FCC compliance information**

### **FCC Compliance Statement**

This device complies with part 15 of the FCC rules. Operation is subject to the following two conditions: (1) This device may not cause harmful interference, and (2) this device must accept any interference received, including interference that may cause undesired operation.

Note: This equipment has been tested and found to comply with the limits for a Class A digital device, pursuant to part 15 of the FCC Rules. These limits are designed to provide reasonable protection against harmful interference when the equipment is operated in a commercial environment. This equipment generates, uses, and can radiate radio frequency energy and, if not installed and used in accordance with the instruction manual, may cause harmful interference to radio communications. Operation of this equipment in a residential area is likely to cause harmful interference in which case the user will be required to correct the interference at his own expense. Modifications not expressly approved by the manufacturer could void the user's authority to operate the equipment under FCC rules.

### **FCC Caution**

Any changes or modifications not expressly approved by the party responsible for compliance could void the user's authority to operate this equipment. This transmitter must not be co-located or operating in conjunction with any other antenna or transmitter.

### **FCC Radiation Exposure Statement**

This equipment complies with FCC radiation exposure limits set forth for an uncontrolled environment. This equipment should be installed and operated with minimum distance 20 cm between the radiator and your body. This transmitter must not be co-located or operating in conjunction with any other antenna or transmitter.

FCC ID : 2AZS5IRD4M

## **EU Declaration of Conformity (CE)**

This product is CE marked according to the provisions of the Radio Equipment Directive (RED) 2014/53/EU. Hereby, ISTCONTROL declares that this product is in compliance with the essential requirements and other relevant provisions of Radio Equipment

Directive (RED) 2014/53/EU.

- Bluetooth Transmit Power: 2.1dBm
- Bluetooth Frequency: 2402~2480 MHz
- NFC Frequency: 13.56 MHz
- RFID Frequency: 13.56 MHz

For more information, contact us at the following contact information.

ISTCONTROL, Inc.  
Access Control & Integrated Solution Provider  
1203, 37, Maebongsan-ro, Mapo-gu, Seoul, Republic of Korea 03909  
TEL: 82+ 070-4194-1993  
[Website : www.istcontrol.com](http://www.istcontrol.com)  
Email: info@istcontrol.com