
MD-PH-001

[水月雨]

User Manual

Please read this guide carefully before use and keep it for future use.

1. For your safety

Please read this manual before using the cell phone to ensure your safety and proper use.



SWITCH OFF IN HOSPITALS

Please abide by relevant provisions or regulations. Please turn off your mobile phone near medical equipment.



SWITCH OFF WHEN REFUELING

Don't use the phone at a refueling point. Don't use near fuel or chemicals.



SIM CARDS AND TF CARD ARE PORTABLE

Keep your phone, phone parts and accessories out of children's reach.



BATTERY

Please do not destroy or damage the battery, it can be dangerous and cause fire. Please do not throw battery in fire to avoid hazard. When battery cannot be used, please dispose in safe environment. Do not try to dismantle the battery. If the battery or authorized charger is broken or old, please stop using them, and replace with certified genuine battery.



USE QUALITY EQUIPMENT

Use authorized equipment to avoid danger.



ROAD SAFETY COMES FIRST

Give full attention while driving, Park before using your phone. Please follow traffic rules of local city town.



INTERFERENCE

All wireless devices may be susceptible to cause interference, which could affect performance.

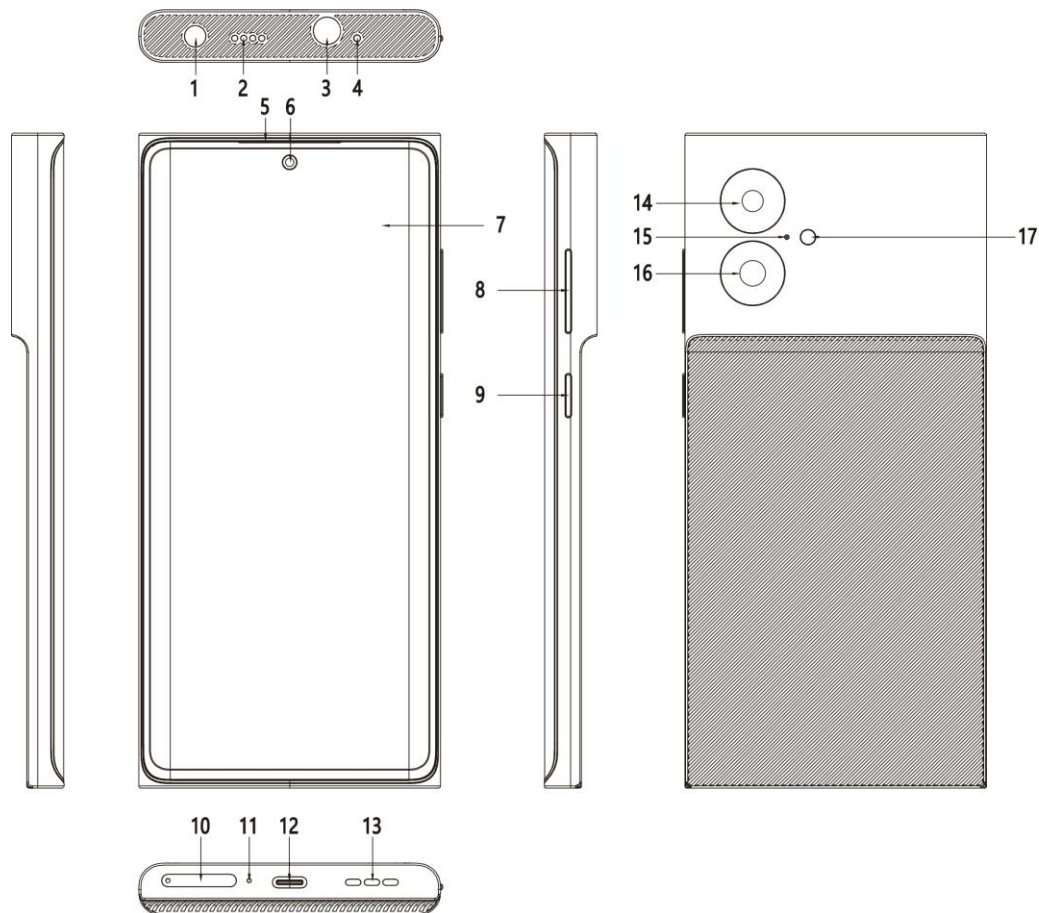


SWITCH OFF IN AIRCRAFT

Wireless devices can cause interference in aircraft. It's not only dangerous but also illegal to use mobile phone in an aircraft.

2. Learn about the phone

- Overview



1--Headset (3.5)

4--Light Sensor

7--Touch screen

10--Card Tray

13--Speaker

16--Wide Camera (8M)

2--Speaker

5--Receiver

8--Volume Key

11--Microphone

14--camera (64M)

17--Photo flash

3--Headset (4.4)

6--Front Camera(32M)

9--Power Key

12--USB interface

15--Microphone

Function Keys

Keys	Functions
Power Key	<ul style="list-style-type: none"> • Press to turn on/off the screen. • Press and hold to reboot, power off the phone, and emergency.
Volume Key	<ul style="list-style-type: none"> • Press to adjust the volume of device.

3. Before using

The phone is a Dual SIM mobile that allows you to use two mobile networks.

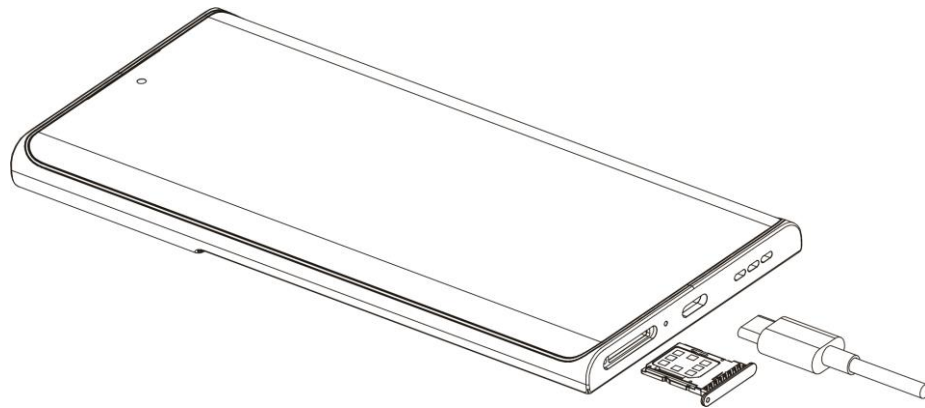
- **Insert SIM cards and TF card**

- Stick into the pin hole with eject tool, and then card tray will be out of phone.

1) Insert the Nano SIM cards and TF card to the card slots correctly.

Card 1 supports Nano SIM1 card.

Card 2 supports Nano SIM2 card or TF card.



- ✓ **Note:**

- Do not remove the cards while the device is transferring data. Doing so may cause data to be lost or damage to the cards and device.
- The SIM cards and TF card are small parts. Please keep away from Children to avoid swallowing the card by accident.
- Please do not touch the metal surface of SIM and TF cards and keep them away from electromagnetic field to avoid damaged data.

- **Charge the Battery**

Charge the battery before using it.

4. Getting started

- **Basic Function**

- Turn on the phone

Press and hold the power key for a while to turn on the phone.

- Turn off the phone

Long press the power key until a menu shows. Choose "Power off" to turn off the phone.

- Restart the phone

Option 1: Long press the power key until a menu shows. Choose "Reboot" to restart the phone.

Option 2: Long press the power key till 13-15 seconds to auto restart the phone automatically.

- Lock the screen

Option 1: Press the power key to turn off the screen and lock it.

Option 2: The screen will auto lock if you don't use the phone for a while.

- Unlock the screen

Press the power key for unlocking.

5. Warnings and notes

Operational Warnings

Important information on safe and efficient operation. Read this information before using your phone. For the safe and efficient operation of your phone, observe these guidelines:

Potentially explosive at atmospheres: Turn off your phone when you are in any areas with a potentially explosive atmosphere, such as fueling areas (gas or petrol stations, below deck on boats), storage facilities for fuel or chemicals, blasting areas and areas near electrical blasting caps, and areas where there are chemicals or particles (Such as metal powders, grains, and dust) in the air.

Interference to medical and personal Electronic Devices: Most but not all electronic equipment is shielded from RF signals and certain electronic equipment may not be shielded against the RF signals from your phone.

Audio Safety: This phone is capable of producing noises which may damage your hearing. When using the speaker phone feature, it is recommended that you place your phone at a safe distance from your ear.

Other Medical Devices, hospitals: If you use any other personal medical device, consult the manufacturer of your device to determine if it is adequately shielded from external RF energy. Your physician may be able to assist you in obtaining this information. Turn your phone OFF in health care facilities when any regulations posted in these areas instruct you to do so. Hospitals or health care facilities may be using equipment that could be sensitive to external RF energy.

Product statement on handling and use: You alone are responsible for how you use your phone and any consequences of its use.

For the sake of your data security, this device's bootloader has been locked. If you break the bootloader lock without permission, you will lose all after-sales service for this device.

You must always switch off your phone wherever the use of a phone is prohibited. Use of your phone is subject to safety measures designed to protect users and their environment.

Always treat your phone and its accessories with care and keep it in a clean and dust-free place.

Do not expose your phone or its accessories to open flames or lit tobacco products.

Do not expose your phone or its accessories to liquid, moisture, or high humidity.

Do not drop, throw, or try to bend your phone or its accessories.

Do not use harsh chemicals, cleaning solvents, or aerosols to clean the device or its accessories.

Do not attempt to disassemble your phone or its accessories; only authorized personnel can do so.

Do not expose your phone or its accessories to extreme temperatures, minimum-10°C to 40°C.

Battery: Your phone includes an internal lithium-ion or lithium-ion polymer battery. Please note that use of certain data applications can result in heavy battery use and may require frequent battery charging. Any disposal of the phone or battery must comply with laws and regulations pertaining to lithium-ion or lithium-ion polymer batteries.

Faulty and damaged products: Do not attempt to disassemble the phone or its accessory. Only qualified personnel can service or repair the phone or its accessory. If your phone or its accessory has been submerged in water, Punctured, or subjected to a severe fall, do not use it until you have taken it to be checked at an authorized service center.

Safety information

Do not use the mobile phone in the environment at too high or too low temperature,

never expose the mobile phone under strong sunshine or too wet environment.

The maximum operating ambient temperature of the equipment is 40°C.



Excessive sound pressure from earphones and headphones can cause hearing loss.

To prevent possible hearing damage, do not listen at high volume levels for long periods.



Waste Electrical and Electronic Equipment (WEEE)

This symbol means that according to local laws and regulations your product and/or its battery shall be disposed of separately from household waste. When this product reaches its end of life, take it to a collection point designated by local authorities. Proper recycling of your product will protect human health and the environment.

Accessory information

Battery: 5000mAh

All software versions released by the manufacturer have been verified and are still compliant with the related rules.

Product specification for EU

Frequency band	Supports Bands (MHz) :	Max Power:
	GSM900: 880-915MHz	33 dBm
	GSM1800: 1710 -1785MHz	29.75 dBm
	WCDMA B1: 1920-1980MHz	23.89 dBm
	WCDMA B8: 880-915MHz	23.42dBm
	LTE B1: 1920-1980MHz	23.89 dBm
	LTE B3: 1710-1785MHz	23.25dBm
	LTE B7: 2500-2570MHz	22.82dBm
	LTE B8: 880-915MHz	22.92dBm
	LTE B20: 832-862MHz	23.77dBm
	LTE B28: 703-748MHz	23.63dBm
	LTE B38: 2570-2620MHz	23.31dBm
	LTE B40: 2300-2400MHz	23.23dBm
	NR n1: 1920-1980MHz	22.39dBm
	NR n3: 1710-1785MHz	23.25dBm
	NR n7: 2500-2570MHz	23.82 dBm
	NR n8: 880-915MHz	23.42dBm
NR n20: 832-862MHz	23.27dBm	
NR n28: 703-748MHz	23.13 dBm	
NR n38: 2570-2620MHz	23.81 dBm	
NR n40: 2300-2400MHz	24.23 dBm	
NR n77: 3300-4200MHz	24.34 dBm	
NR n78: 3300-3800MHz	23.84dBm	
FM: 87,5 MHz to 108 MHz (receiver only) 13.56MHz (receiver only)		
WLAN	Frequency (MHz):	Max Power:
	2412-2472MHz 5180-5320MHz	19dBm 21 dBm

	5500-5700MHz 5745-5825MHz	20 dBm 13.5dBm
BT	Frequency (MHz): 2402~2480	Max Power: 9.5 dBm
NFC	Frequency (MHz): 13.56KHz	Max. Field strength: -17.3 dBuA/m at 10m

Warning

1. Use careful with the earphone maybe possible excessive sound pressure from earphones and headphones can cause hearing loss.
2. CAUTION: RISK OF EXPLOSION IF BATTERY IS REPLACED BY AN INCORRECT TYPE. DISPOSE OF USED BATTERIES ACCORDING TO THE INSTRUCTIONS.
3. The product can be connected to a USB interface of version USB2.0.
4. Adapter shall be installed near the equipment and shall be easily accessible.
5. Operation temperature: -10~40°C.
6. The plug considered as disconnect device of adapter.
7. SAR: The device complies with RF specifications when the device used at 0.5cm from your body (SAR limit 2.0 W/Kg). The device is in compliance with the requirements.



Specific Absorption Rate (SAR) information: The EU SAR limit For Body Worn is 2.0W/kg. This device should keep 5mm separation distance for Body worn testing and 0mm for Hand SAR testing. The Maximum Body SAR is 1.881W/kg; The Maximum Head SAR is 0.985W/kg;

The WLAN function for this device is restricted to indoor use only when operating in the 5150 to 5350 MHz frequency range.

BE	BG	CZ	DK
DE	EE	IE	EL
ES	FR	HR	IT
CY	LV	LT	LU
HU	MT	NL	AT
PL	PT	RO	SI
SK	FI	SE	UK(NI)
TR	NO	CH	IS
LI			

This device complies with Part 15 of the FCC Rules. Operation is subject to the following two conditions: (1) this device may not cause harmful interference, and (2) this device must accept any interference received, including interference that may cause undesired operation.

Caution: The user is cautioned that changes or modifications not expressly approved by the party responsible for compliance could void the user's authority to operate the equipment.

Note: This equipment has been tested and found to comply with the limits for a Class B digital device, pursuant to part 15 of the FCC Rules. These limits are designed to provide reasonable

protection against harmful interference in a residential installation. This equipment generates uses and can radiate radio frequency energy and, if not installed and used in accordance with the instructions, may cause harmful interference to radio communications. However, there is no guarantee that interference will not occur in a particular installation. If this equipment does cause harmful interference to radio or television reception, which can be determined by turning the equipment off and on, the user is encouraged to try to correct the interference by one or more of the following measures:

- Reorient or relocate the receiving antenna.
- Increase the separation between the equipment and receiver.
- Connect the equipment into an outlet on a circuit different from that to which the receiver is connected.
- Consult the dealer or an experienced radio/TV technician for help.

This device complies with FCC radiation exposure limits set forth for general population. This transmitter must not be co-located or operating in conjunction with any other antenna or transmitter