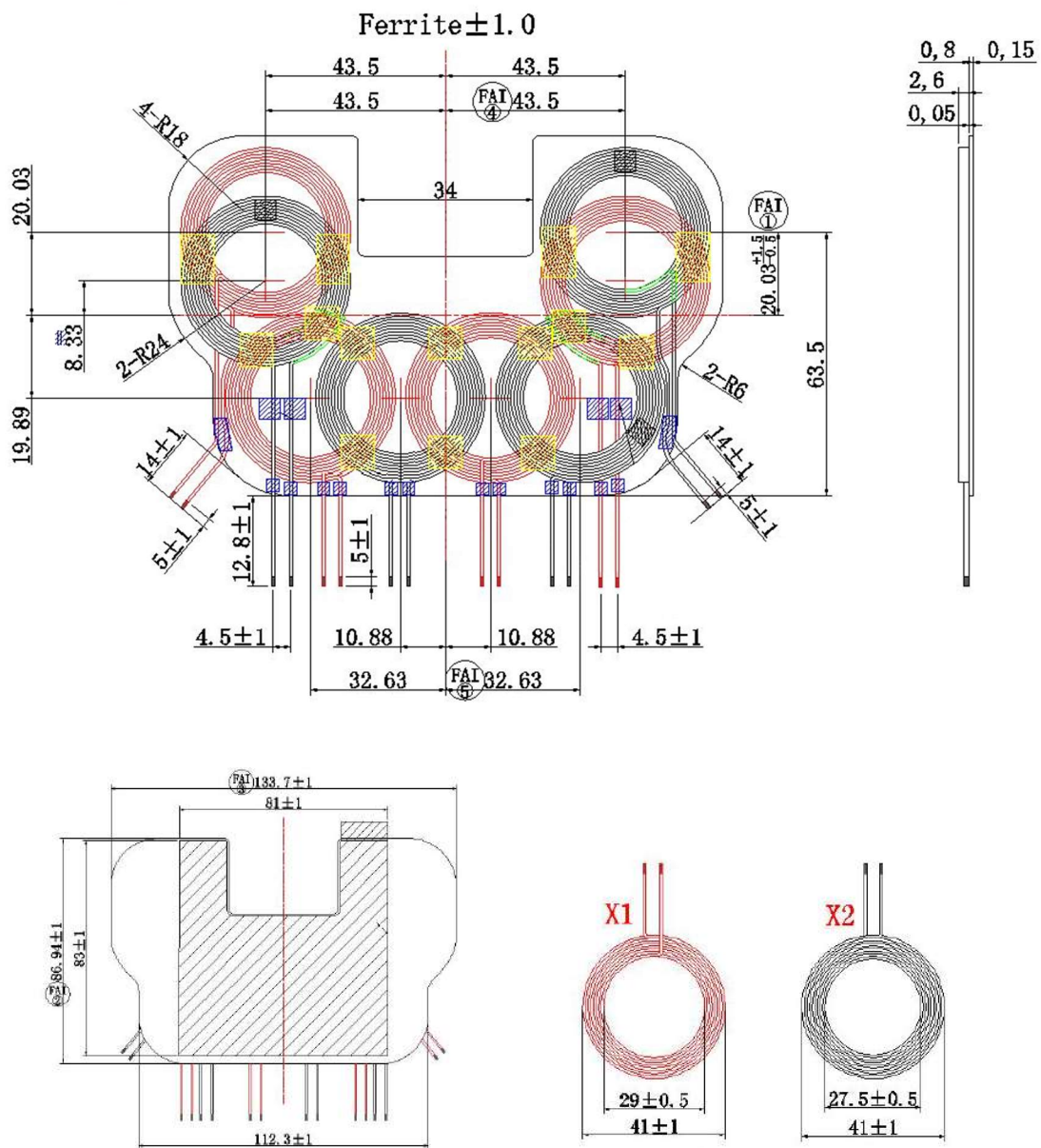


Lucid Gravity Wireless Charger Coil

Specification

DONGGUAN KIMCHEN INDUSTRY INTL LIMITED

Address: No. 2 Xisha Road, Shijie Town, Dongguan City, Guangdong Province



Manufacturer: DONGGUAN KIMCHEN INDUSTRY INTL LIMITED

Coil PN: JZ-FSXQ-8coil

Power Rating: 48W (Type) (Support dual 15W Rx)

Number of turns: X1-8TS; X2-9TS

Coil Dimension: 133.7*86.94*2.6

Working Frequency: 127.7 kHz

ELECTRICAL CHARACTERISTICS:

TEMPERATURE:25±10°C , RELATIVE HUMIDITY:65±10%

NO.	ITEM	TERMINAL	SPECIFICATION	TEST FREQUENCY	TEST EQUIPMENTS
1	Inductance (IND)	S-F	Coil with Ferrite: X1:6.3 uH±10%; X2:6.4 uH±10%	100kHz/V	LCZ METER 1062
2	DCR	S-F	30mΩ MIN~50mΩ MAX	1kHz/V	LCZ METER 1062
3	Q factor	S-F	60MIN~90MAX	100kHz/V	LCZ METER 1062
4	Operation Temp.		-40° TO 125°		