

Specification For Approval

Date: 2023 / 10 / 27

File No.: 231027004

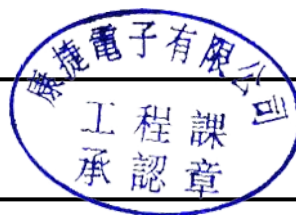
Version: 1.0


Customer : U00431

Customer P/N : /

INVAX P/N : DS0915-0726WNM

Description : Antenna



Cortec Checked By:	
Customer Approved By:	



INVAX System Technology Corp.
4F. No. 815.Chung Hsiao East Rd.,Sec.5
Taipei, TAIWAN

TEL:886-2-2788-5218 FAX:886-2-2783-1658
<http://www.invaxsystem.com>



Cortec Technology Inc.
Xian-Xi Industrial, Sha-Tou Administration Zone,
Chang-An Town, Dong-Guan City, Guangdong
Province, China

TEL:86-769-85388261 FAX:86-769-85317869
<http://www.cortec.com.cn>

Index:

- 1. Revision History / Page 3**
- 2. Specification / Page 4**
- 3. Characteristics and Reliability Test / Page 5**
- 4. Antenna - S Parameter Test Data / Page 6**
- 5. Antenna - Radiation Pattern Test Data / Page 7**
- 6. Mechanical and Packing Drawing / Page 8 ~ 9**
- 7. Material Description and RoHS Test Report / Page 10 ~ end**

Product Number: DS0915-0726WNM

Product Name: Antenna



1. Revision History


Revision	Date	Change Notification	Description
1.0	2023.10.27	初版	

Product Number: DS0915-0726WNM

Product Name: Antenna



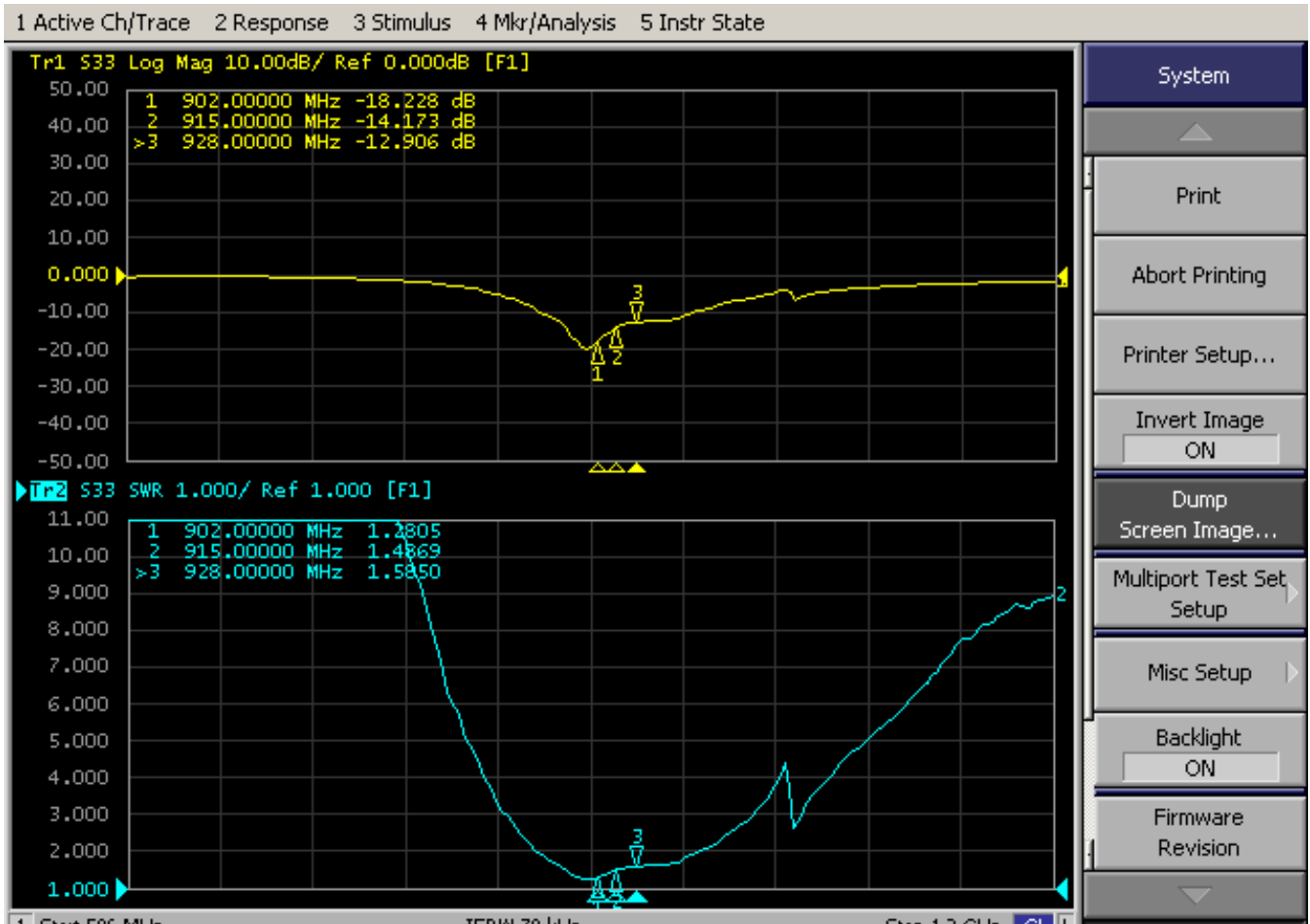
2. Specification

Sample Photo	
 A photograph of a long, thin, white antenna with a silver N-type connector at one end, lying horizontally on a light-colored surface.	
A. Electrical Characteristics	
Frequency	902 ~ 928 MHz
V.S.W.R.	≤ 2.0
Peak Gain	6 dBi
Polarization	Linear
Impedance	50 Ohm
B. Material & Mechanical Characteristics	
Material of Radiator	Cu
Cable Type	RG316
Connector Type	N Plug
C. Environmental	
Operation Temperature	- 40 °C ~ + 65 °C
Storage Temperature	- 40 °C ~ + 80 °C

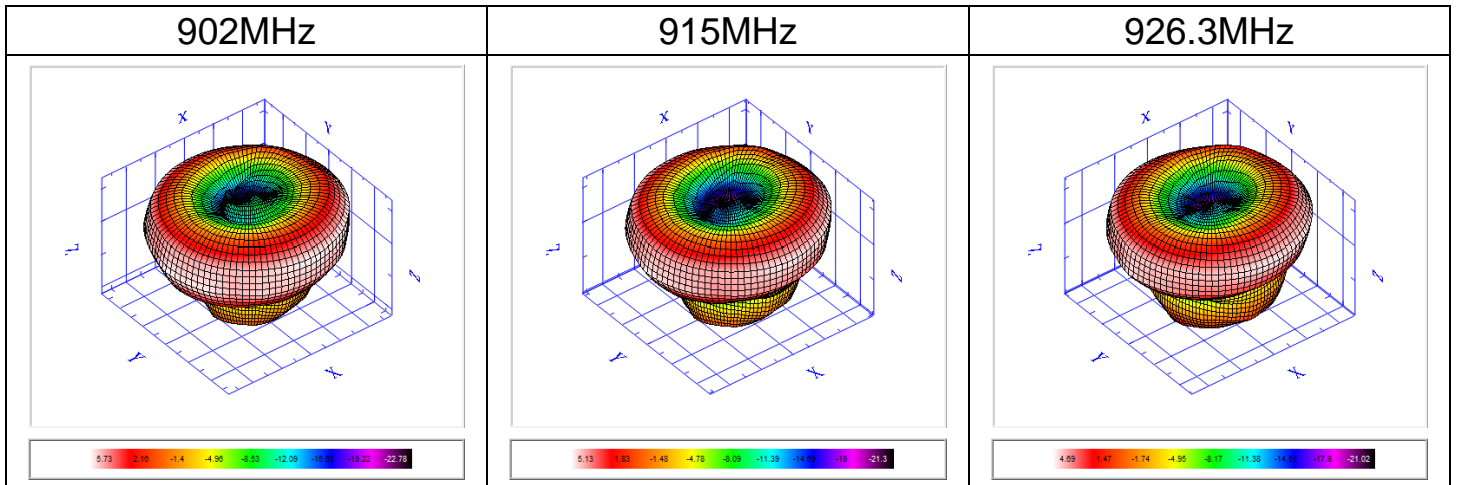
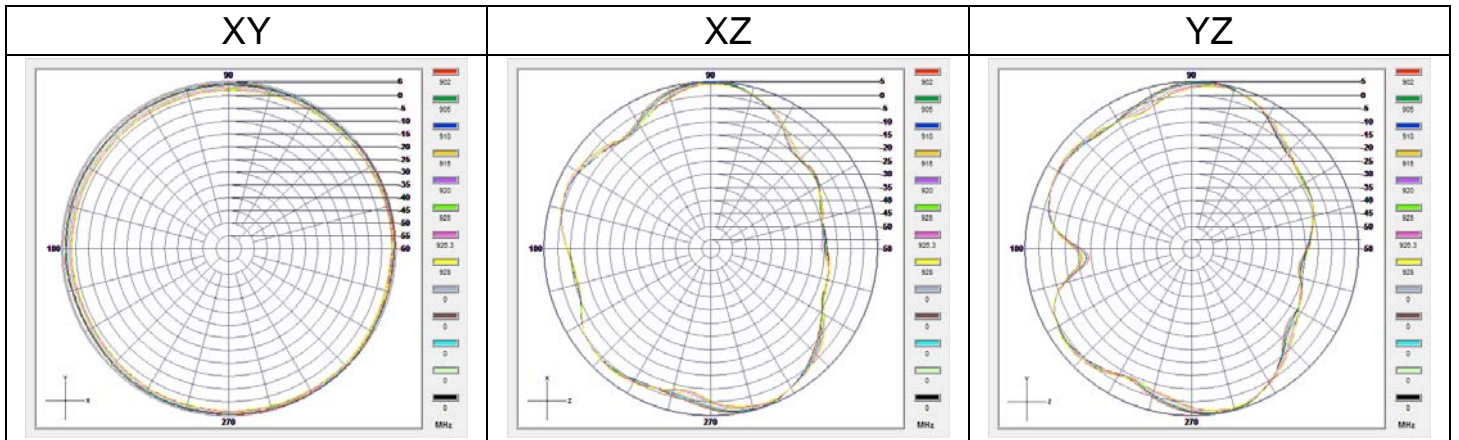
3. Characteristics and Reliability Test

Test Items		Test Condition and Procedure	Requirements
C1	S.W.R.	Set DUT on Network Analyzer; make individual calibration to test	Directive DUT specification
C2	Antenna Gain	Set DUT on Antenna Chamber; make individual calibration to test	Directive DUT specification
M1	Vibration	GB / T2423 . 48-1997 Amplitude: 0.03 inch (1.5mm); Freq: 20 to 80 to 20 Hz 3 directions; 2 hours for each direction	1. No Visual Damage 2. Frequency Tol.<= 5%
M2	Random Drop	GB / T2423.8-1995 Height: 1.0 Meter; 3 directions; 1 time for each direction	1. No parts separated 2. Frequency Tol.<= 5%
M3	Solderability	GB 2423 . 28- 82 Solder iron: 260±5°C; Duration: 5 seconds	1. Mounted on PCB 2. No Visual Damage
M4	Terminal-Pull Test	Holding with individual specification; force applied to axis of terminal	1. Directive DUT specification 2. Frequency Tol.<= 5%
M5	Terminal-Torque Test	Holding with individual specification; applied clockwise and counterclockwise to the axis of terminal	1. Directive DUT specification 2. Frequency Tol.<= 5%
M6	Dimension	Inspection of dimension, color, material, package, surface process	Directive DUT specification
E1	Salt Spray	GB / T 2423 . 17- 93 Temp: 35°C; RH: >= 95%; NaCl solution: >= 5%; Time: 24 hours	After 2 Hours Recovery 1. No Visual Damage 2. Frequency Tol.<= 5%
E2	Humidity	GB / T 2423 . 4 - 93 Temp: 80°C / 12 H; -40°C / 12H RH: >= 90%; Time: 24 hours	After 2 Hours Recovery 1. No Visual Damage 2. Frequency Tol.<= 5%
E3	Thermal Shock	GB / T 2423 . 22 - 87 1 Cycle: - 40°C (30 minutes) to + 80°C (30 minutes) Cycles: 24	After 2 Hours Recovery 1. No Visual Damage 2. Frequency Tol.<= 5%
E4	Life (High Temp.)	GB /T 2423 . 2 - 89 Temp: 80°C; Time: 24 hours	After 2 Hours Recovery 1. No Visual Damage 2. Frequency Tol.<= 5%
R1	RoHS	With Reference to IEC 62321:2008 with flow chart	Directive RoHS 2015/863/EU

4. Antenna - S Parameter Test Data



5. Antenna - Radiation Pattern Test Data



Frequency	902	905	910	915	920	925	926.3	928
E-Total Peak Gain (dBi)	5.73	5.69	5.48	5.13	4.74	4.75	4.69	4.6
Efficiency (%)	76.72	75.02	74.12	71.87	68.53	69.48	68.86	68.13
Average Gain (dB)	1.38	1.21	1.04	0.8	0.56	0.6	0.57	0.53

HF

RoHS

REACH

CONFIDENTIAL

SIGN	DATE	DESCRIPTION	APPROVER
△			
△			
△			

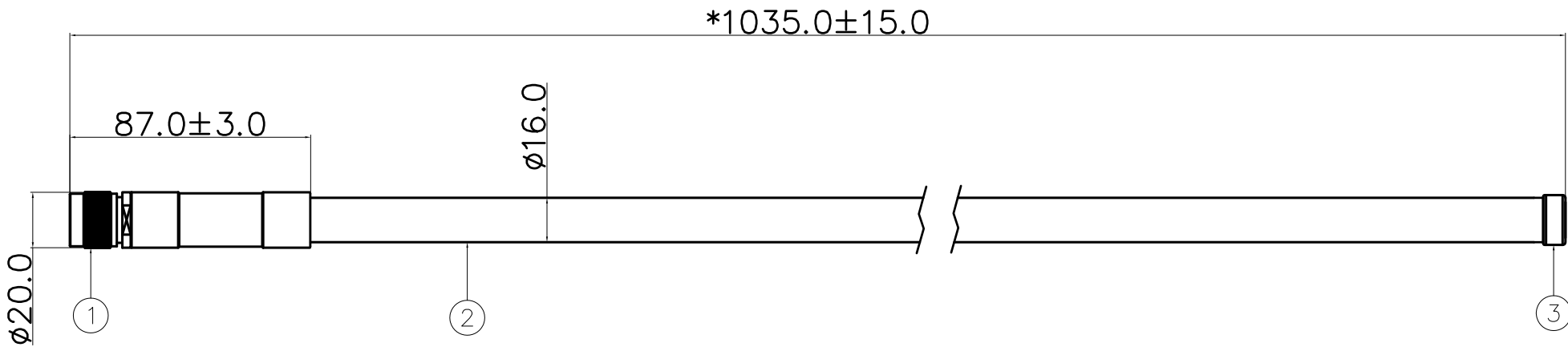
E

D

C

B

A



Note:

1.Mark * is important dimension;"CpK "Identify for process control(CpK ≥ 1.33).

2.Tolerance:Unmarked tolerance refer to the standard tolerance please.

3	CAP-DS07-01CN	Cap	C3604	Ni Pleated	1
2	DS07-1M	Body	FR-PPR	White	1
1	00N001-CNT5DS07-G	N Male	C3604	Ni Pleated	1
No.	Part Number	Description	Material	Finish	

Invax System Group.

Cortec

Cortec Technology Inc.

Http://www.invaxsystem.com Tel.:886-2-27885218
E-mail:info@invax.com.tw Fax:886-2-27831658

TITLE: 902~928MHz Antenna

PART NO.: DS0915-0726WNN CUSTOMER P/N: /

APP BY	CHK BY	RF BY	DES BY		Tolerance
SF	SF	SF	YANG		X.X ±0.5
2023/04/07	2023/04/07	2023/04/07	2023/04/07		X.XX ±0.2
					UNITS: mm
				SCALE: 1/1	
				REVISION: A	