

# 零件承認書

## Approval Sheet

客戶名稱: SYKJ

產品料號: Y.24.07.0063

產品名稱: 5.55GHz RogersAntenna

SMA 內螺內孔, L=154MM

天线供应商	翎龙电子科技	
审核	制作人	日期
張禮波	楊興凱	2021.04.05

客戶簽署		
品保	工程	采购

**Index:**

- 1. Revision History / Page 3**
- 2. Specification / Page 4**
- 3. Characteristics and Reliability Test / Page 5**
- 4. Antenna - S Parameter Test Data / Page 6**
- 5. Antenna - Radiation Pattern Test Data / Page 7**
- 6. Mechanical and Packing Drawing / Page 8 ~ 9**

**Manufacturer: Dongguan Yilong Electronic Technology Co., Ltd**  
**Address: Room 1808, Building 6, No. 36 Fuxing Road, Chang'an Town,**  
**Dongguan City, Guangdong Province**

Product Number: YL-AN5550-15S01BRS

Product Name: 5.55G Antenna



## 1. Revision History

Revision	Date	Change Notification	Description
1.0	2021.04.05	初版	

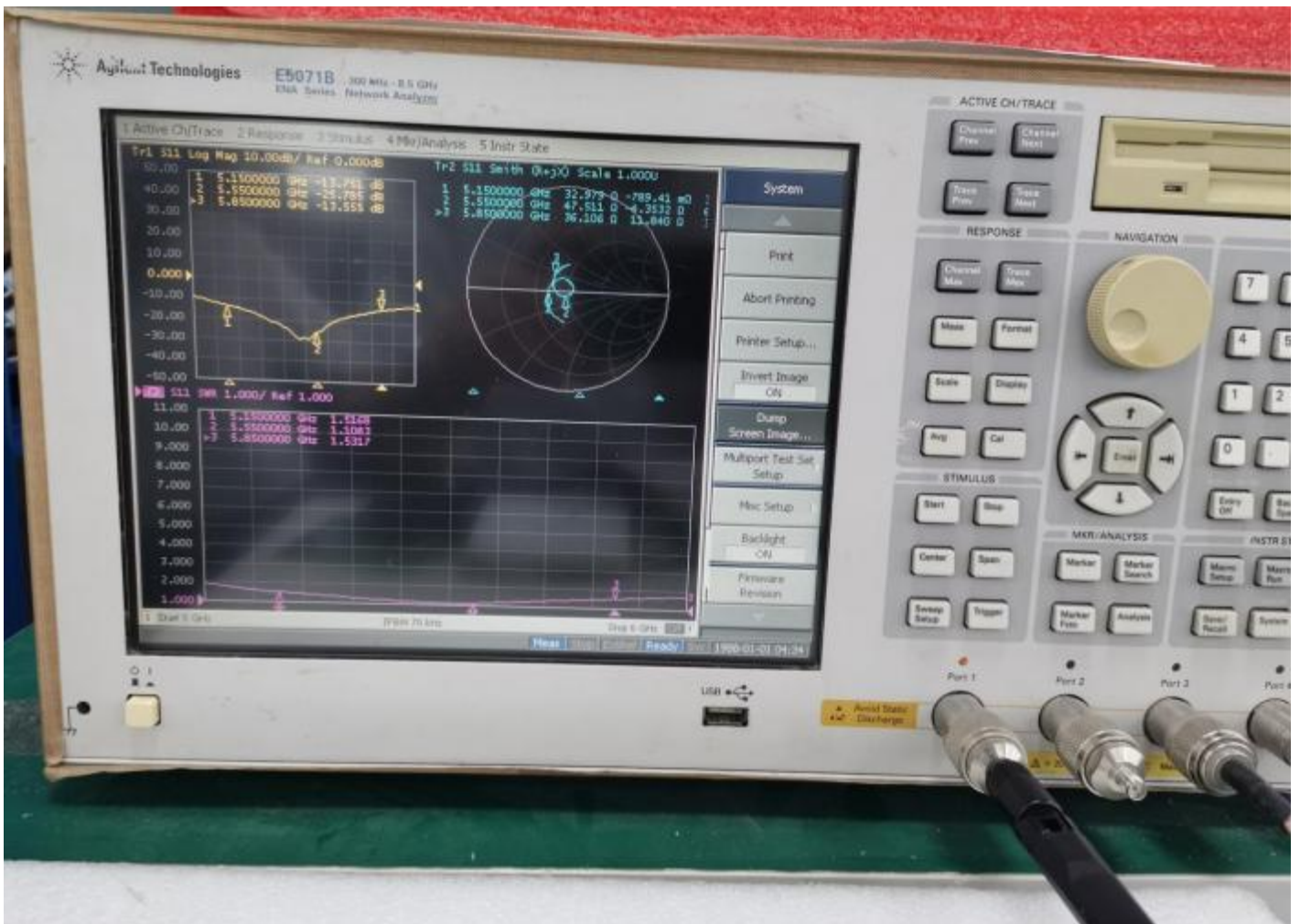
## 2. Specification

Sample Photo	
	
A. Electrical Characteristics	
Frequency	5150 ~ 5850 MHz
S.W.R.	5.55GHz <= 1.5
Antenna Gain	5.94dB
Efficiency(%)	75 % @ 5.550 GHz
Radiation Pattern	Omni- Directional
Max Input Power	>= 2 W
Polarization	Linear
Impedance	50 Ohm
B. Material & Mechanical Characteristics	
Material of Radiator	PCB (Rogers)
Connector Type	SMA MALE (反极性 SMA 内螺内孔)
Material of Plastic	Body1: ABS Body2: ABS Body3: POM
Cable Type	RG-178 双银线
Pull Test of SMA	>=3kg
C. Environmental	
Operation Temperature	- 40 °C ~ + 65 °C
Storage Temperature	- 40 °C ~ + 80 °C
Antenna Color Storage life	< 2 year

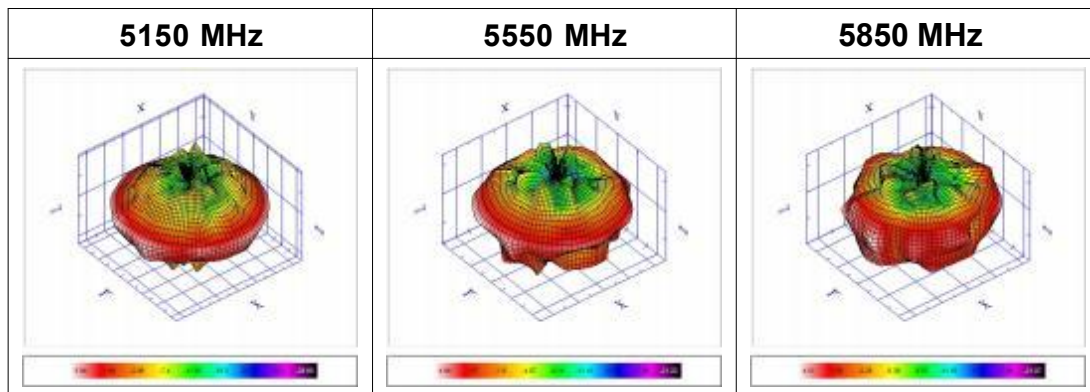
### 3. Characteristics and Reliability Test

Test Items		Test Condition and Procedure	Requirements
C1	S.W.R.	Set DUT on Network Analyzer; make individual calibration to test	Directive DUT specification
C2	Antenna Gain	Set DUT on Antenna Chamber; make individual calibration to test	Directive DUT specification
E1	Salt Spray	GB / T 2423 . 17- 93 Temp: 35°C; RH: >= 95%; NaCl solution: >= 5%; Time: 24 hours	After 2 Hours Recovery 1. No Visual Damage 2. Frequency Tol.<= 5%
E2	Humidity	GB / T 2423 . 4 - 93 Temp: 80°C / 12 H; -40°C / 12H RH: >= 90%; Time: 24 hours	After 2 Hours Recovery 1. No Visual Damage 2. Frequency Tol.<= 5%
E3	Thermal Shock	GB / T 2423 . 22 - 87 1 Cycle: - 40°C (30 minutes) to + 80°C (30 minutes) Cycles: 24	After 2 Hours Recovery 1. No Visual Damage 2. Frequency Tol.<= 5%
E4	Life (High Temp.)	GB /T 2423 . 2 - 89 Temp: 80°C; Time: 24 hours	After 2 Hours Recovery 1. No Visual Damage 2. Frequency Tol.<= 5%
R1	RoHS	With Reference to IEC 62321:2008 with flow chart	Directive RoHS 2011/65/EU
R2	PFOS	With Reference to USA EPA 3540C:1996 by LC/MS	Directive RoHS 2006/122/EC
R3	PFOA	With Reference to USA EPA 3540C:1996 by LC/MS	Directive RoHS 2006/122/EC

#### 4. Antenna - S Parameter Test Data



## 5. Antenna - Radiation Pattern Test Data

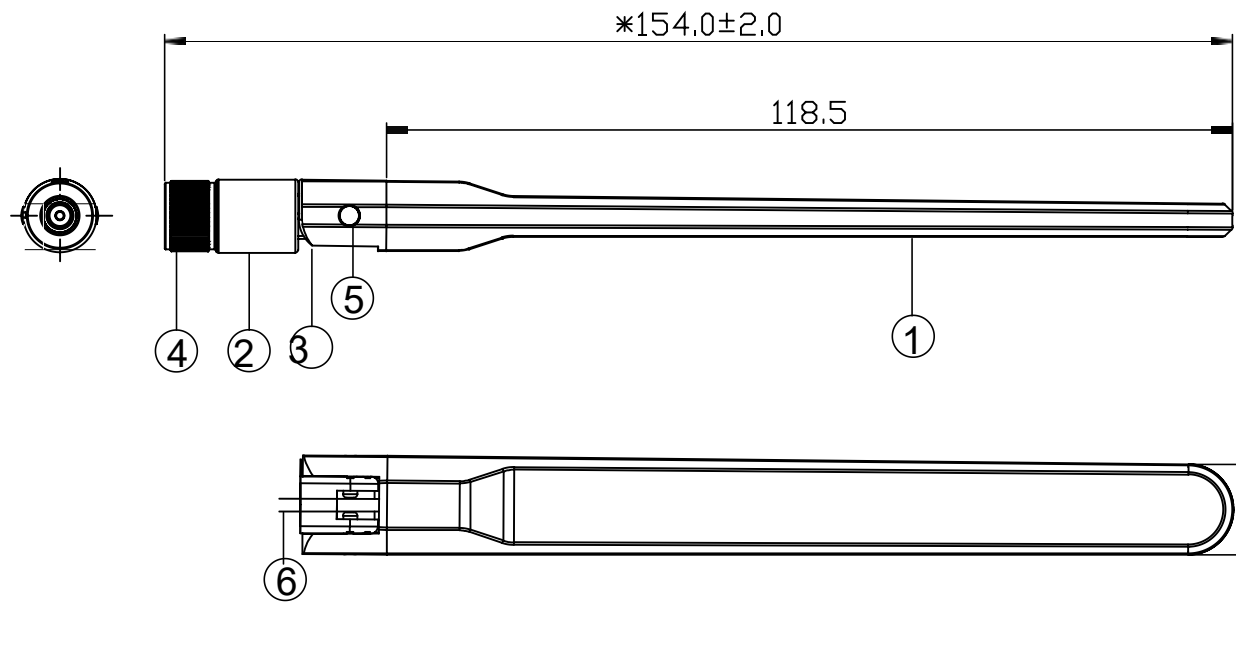


Frequency	5150	5250	5350	5400	5500	5550	5650	5700	5800	5850
TRP (dBn)	-1.64	-1.5	-1.41	-1.62	-1.47	-1.61	-1.64	-1.84	-0.88	-1.55
Peak EIRP (dBn)	5.94	5.73	5.31	4.65	5.23	4.94	4.36	4.64	4.91	4.01
NHPRP +/- 45 (degree)	-1.76	-1.63	-1.55	-1.78	-1.66	-1.82	-1.9	-2.15	-1.21	-1.9
NHPRP +/- 30 (degree)	-2.09	-1.99	-1.9	-2.15	-2.07	-2.27	-2.39	-2.61	-1.61	-2.36
E-Theta Peak Gain (dBi)	-7.07	-8.2	-8.5	-7.95	-6.38	-7.58	-5.31	-6.53	-5.6	-5.56
E-Phi Peak Gain (dBi)	5.94	5.72	5.29	4.63	5.23	4.83	4.32	4.54	4.9	3.94
E-Total Peak Gain (dBi)	5.94	5.73	5.31	4.65	5.23	4.94	4.36	4.64	4.91	4.01
Directivity (dBi)	7.58	7.23	6.72	6.27	6.7	6.54	6	6.47	5.78	5.56
Efficiency (%)	68.54	70.78	72.3	68.82	71.24	69.08	68.54	65.52	81.71	70.04

**RoHS**  
Compatible

SIGN	DATE	DESCRIPTION	APPROVER
△			
△			
△			

電氣特性	
頻率範圍	5150~5850MHz
V.S.W.R	5.55GHz三1.5
最大增益	5dBi
機構特性	
拉力	全3Kgf
扭力	300~800gf.cm
防水	N/A
環境測試	
鹽霧測試	溫度:35. C; 濕度二95%; 鹽水濃度二5%; 時間: 24H
恒溫恒濕測試	80. C/12H; 40. C/12H; 濕度二90%; 時間:24H
冷熱衝击測試	-40. C/30' tO + 80. C/30'; 過期: 24
老化測試	80. C; 時間:24H



Note:  
 1. Take " \* " is the important dimension.  
 2. Tolerance: Unmarked tolerance refer to the standard tolerance please.

6	R-RG178	CVBLE	双银线	L=45MM, 透明红	1
5	Body-4	转轴	POM	黑色	2
4	RP-SMA -J	SMA内螺内孔	CU	电着黑色	1
3	Body-3	连接筒	ABS	黑色	1
2	Body-2	连接头	ABS	黑色	1
1	Body- 1	天线塑胶本体	ABS	黑色	1
No.	Part Number	Description	Material	Finished	Q'ty

**东莫市翅龙电子科技有限公司**

TITLE: 5.55GHz Antenna

PART NO.: YL-AN5550- 15S01BRS      CUSTOMER P/N: /

APP BY	CHK BY	RF BY	DES BY		Tolerance
			ZLB		
			2021.04.05	UNITS: mm	X.X ±0.3
				SCALE: 1/1	X.XX ±0.2
				REVISION: A	X. ±1



# 产品包装规范

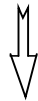
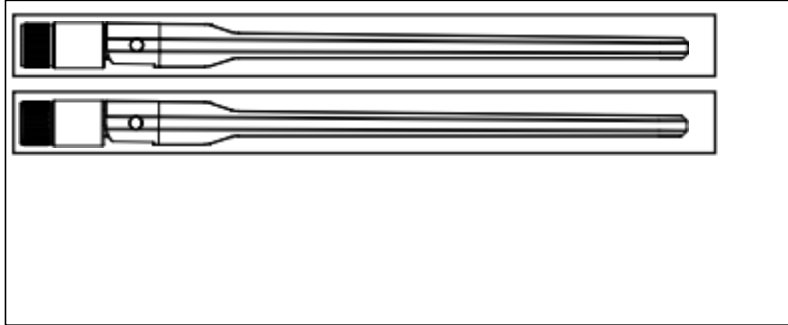
## PACKING CRITERION

Date: 2021.04.05

Page: 1 of 1

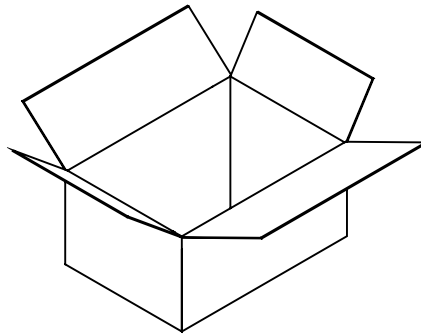
Part Number : YL-AN5550- 15S01BRS	Revision : A
Name: 5.55GHz Antenna	Customer : ALL

1. Enter the PE Bag 。



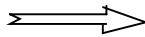
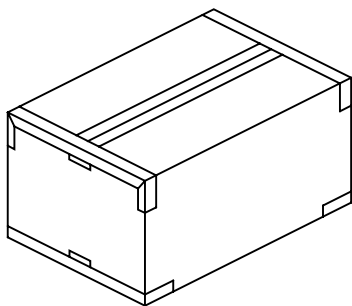
50/PE Bag

2. PACKING 。

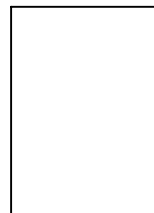


600PCS/BOX

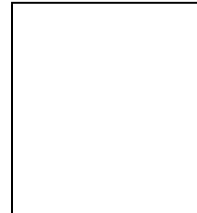
3. SEALING 0



SIDE



FRONT



APPROVED BY : \_\_\_\_\_ CHECKED BY : \_\_\_\_\_ DESIGNED BY : ZLB