



bomaker

Bomaker projection screen



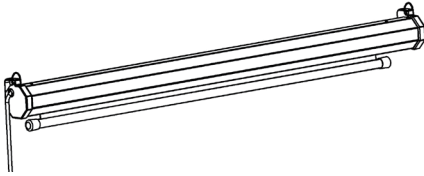
Thank you for choosing our projection screen
Please read the manual carefully before using

MOTORIZED SCREEN OPERATION MANUAL

Content

Package Listing	01
Product description	01
Circuit diagrams	02
Adjust limit switch	02
Product Parameters	03
Installation	04
Ceiling Installation:	04
Wall Installation:	04
Care & Warnings	05

Package Listing:



100-inch Motorized Screen x1



Remote Control x1



Screw Nail x4



Extension Sleeve x4

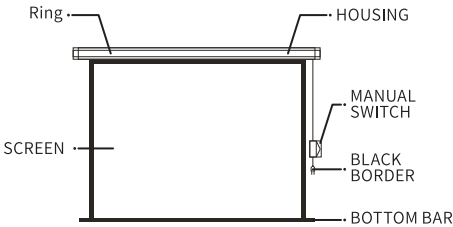


Screw Hook x2

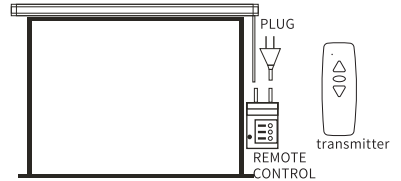


User Manual x1

Product description:



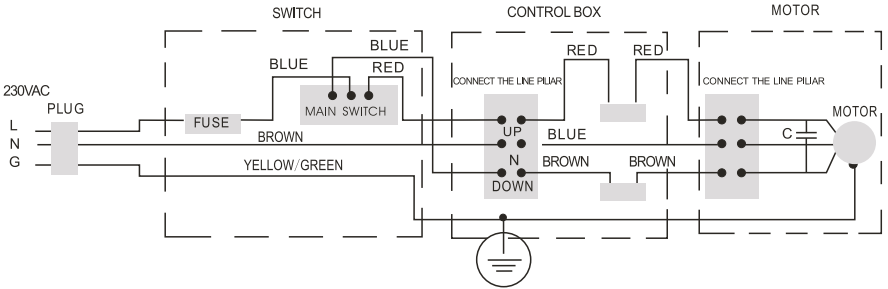
motorized screen with manual switch



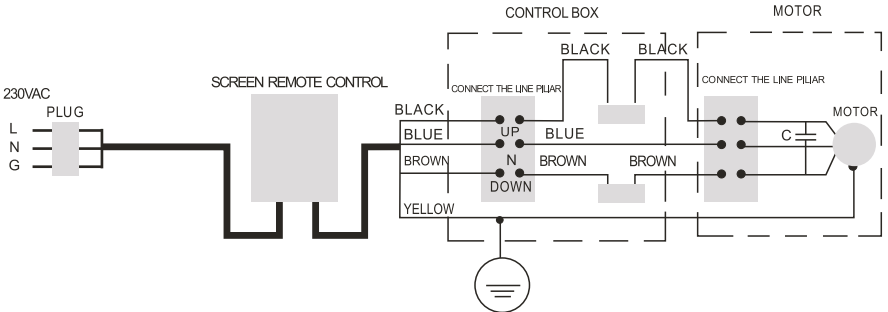
motorized screen with remote control

1. CIRCUIT DIAGRAMS

If the motorized screen work with manual switch, please refer to the below fig for electric connection.



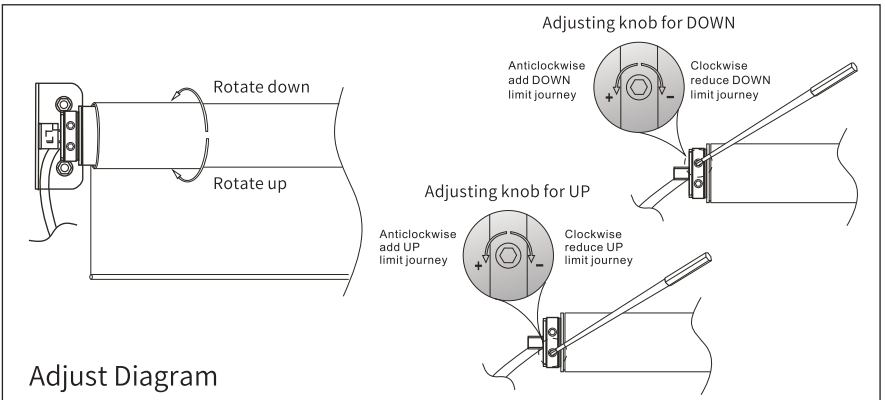
If the motorized screen work with remote control, please refer to the below fig for electric connection.



If the remote control does not work well, please check the battery and replace new one.

2. ADJUST LIMIT SWITCH

Adjust position for the two limit journey, refer to below picture:

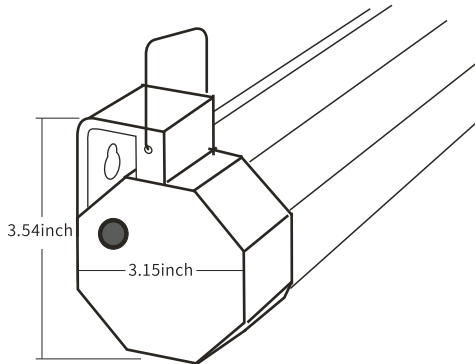
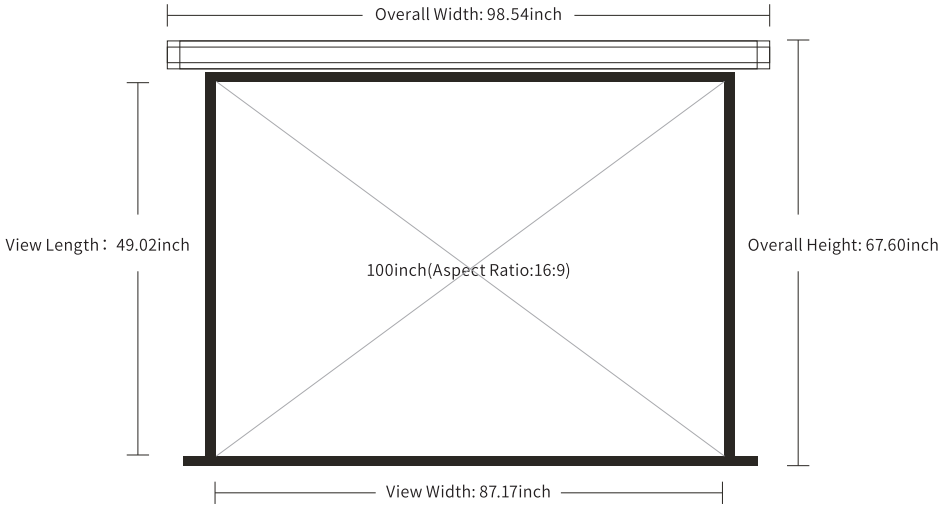


3. Product Parameters:

Over Size: 67.60inch H X 98.54inch W

View Size: 49.02inch H X 87.17inch W

100inch(Aspect Ratio: 16:9)

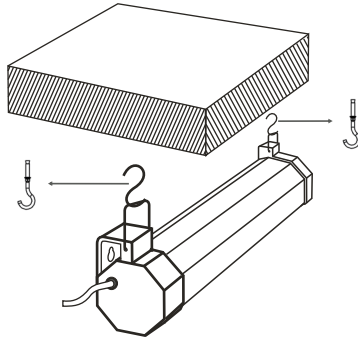


All dimensions are measured manually with deviation ranged at ± 1.18 inch, please refer to the real object.

Installation:

Ceiling Installation:

Drill a hole on the wall, then put the expansion rubber sleeve and the hook screw into the hole one after another, and then tighten the screw.



fix the screen to the ceiling

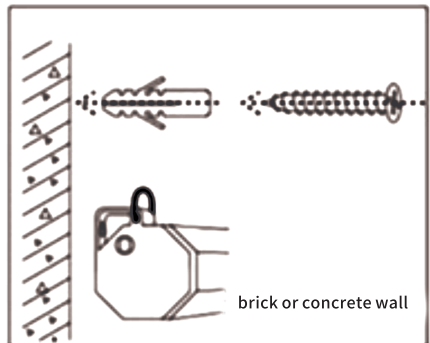
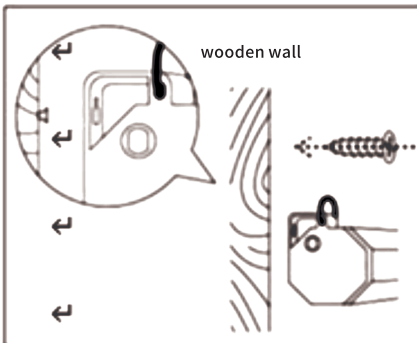
Wall Installation:

Wooden wall:

If it was the wooden wall, first drive the screw nails into the wall and fix the screw nails in the holes of the Motorized Screen.

Bricks/Precast Concrete Wall:

If it is a brick or concrete wall, you need to drill holes on the wall first, put in the expansion rubber sleeve and then screw in the nail, and then hang the screen via the small holes on the motorized screen.



Note: The screen can be installed on the wooden/concrete foundation /brick wall

Remote Control Instruction:

The Motorized Screen has two use methods: control the power switch manually and control the power switch via the remote.

(1) Lift and lower the screen via control the power switch manually

A. Unfold the screen: press the lower end of the power switch, the screen will move down slowly automatically, and the screen will automatically stop when the screen is opened to the maximum.

B. Retract the screen: press the upper end of the power switch, the screen will be rolled back into the metal housing and stop automatically.

C. Stop the screen: press the middle of the power switch, and the screen will stop at any position you want.

Note: It is recommended to place the control switch in the middle position when the screen is not in use.

(2) Control the screen via remote

Point the remote transmitter at the direction of the receiver box, and press the upper/lower/middle button of the remote to control the screen up, down and stop respectively.

Care & Warnings

★ Bomaker highly recommends two people to assemble the Motorized Screen.

★ Dust, dirt and scratches on the projection surface will affect the picture quality. Please note the below points:

1. Do not touch the projection surface with your hands.
2. Do not write or draw on the projection surface.
3. Do not use fingers or sharp objects to point on the projection surface, which will cause damage to the screen material.
4. Use a soft-damp cloth to clean the projection surface; do not use chemical cleaning agents or alcohol.
5. Use clean water when dampening the cleaning cloth and do not rub against the material to clean it.
6. After using put the screen back to the housing in order to avoid being polluted. If not using it for a long time, please take the screen from the wall and pack it in a carton.

7. Frequently examine the installation for imbalance and signs of wear or damage to cables and springs.
8. If the power soft cable was broken, you have to replace it by technical people from the manufacturer or service department ensure safety.
9. Do not use if repair or adjustment is necessary;
10. If the supply cord is damaged, it must be replaced by the manufacturer, its service agent or similarly qualified persons in order to avoid a hazard.
11. Do not use if repair or adjustment is necessary.

NOTE: To avoid damage and injury, the screen should only be operated by adults.



support@bomaker.com



www.bomaker.com



[@BomakerOfficial](https://www.instagram.com/BomakerOfficial)



+1(437)800-0151

FCC Warning Statement

Changes or modifications not expressly approved by the party responsible for compliance could void the user's authority to operate the equipment. This equipment has been tested and found to comply with the limits for a Class B digital device, pursuant to Part 15 of the FCC Rules. These limits are designed to provide reasonable protection against harmful interference in a residential installation. This equipment generates uses and can radiate radio frequency energy and, if not installed and used in accordance with the instructions, may cause harmful interference to radio communications. However, there is no guarantee that interference will not occur in a particular installation. If this equipment does cause harmful interference to radio or television reception, which can be determined by turning the equipment off and on, the user is encouraged to try to correct the interference by one or more of the following measures:

- - Reorient or relocate the receiving antenna.
- - Increase the separation between the equipment and receiver.
- - Connect the equipment into an outlet on a circuit different from that to which the receiver is connected.
- - Consult the dealer or an experienced radio/TV technician for help.

This device complies with part 15 of the FCC Rules. Operation is subject to the following two conditions: (1) This device may not cause harmful interference, and (2) this device must accept any interference received, including interference that may cause undesired operation.