

# 深圳市利信辉电子有限公司

## 天线规格承认书

### Antenna Specification for Approval

客户名称

Customer Name: \_\_\_\_\_

产品名称: \_

Product Name: \_\_\_\_\_ 2.4G天线 全长35mm白色

客户型号:

Product Name: \_\_\_\_\_

产品料号:

Part NO.: \_\_\_\_\_ C10-35-2.5

制表:

Write By: \_\_\_\_\_ 周敏

日期:

Issued Date: \_\_\_\_\_ 2019-3-20

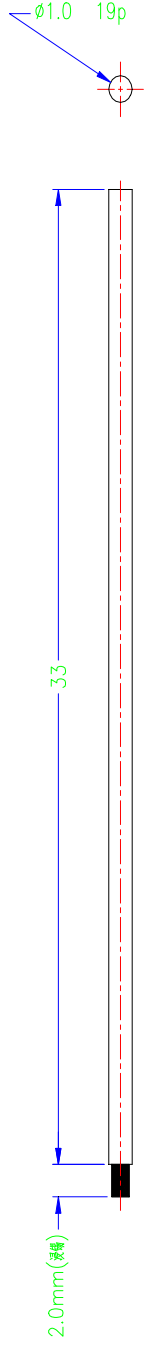
### 客 户:

工程R&D Dept	采购Business Dept	承认 Approved By

### 利 信 辉

研发R&D Dept	工程 Engineer Dept	审核 Approval

样盘	揭杆	截断嘴	刃



线材: 1mm白色镀线

# 利信辉电子有限公司

要求:  
1、标注公差为重要尺寸, 未标注公差的按±0.15。

PART TITLE 锚玻璃摩擦口	MATERIAL 第 1mm白色镀线	UNIT IN 等拿口 mm	SCALE 抓做口 5:1	VER. 喉棒 101
PART NO. 锚玻璃磨口 C10-33-2.0	DRW ING 柒菴口	DATE 12015/12/09	CHECK ING 机瞄口	SUPPLIER CFM 鼎茵改 靡口

# Product Specification

## A. Electrical Characteristics

**Frequency 2400MHz ~2500MHz**

**VSWR <3.0**

**Efficiency >30%**

**Impedance 50 Ohm**

**Polarization Line**

**Gain 0.17 dBi**

## B. Material & Mechanical Characteristics

**Material of Radiator Cu**

**Cable Type 1.0 19P 白色**

**Connector Type : NO**

**Dimension**

## C. Environmental

**Operation Temperature - 30 °C ~ + 80 °C**

**Storage Temperature - 30 °C ~ + 85 °C**

## Test Equipment & Conditions

### 1. Network Analyzers :

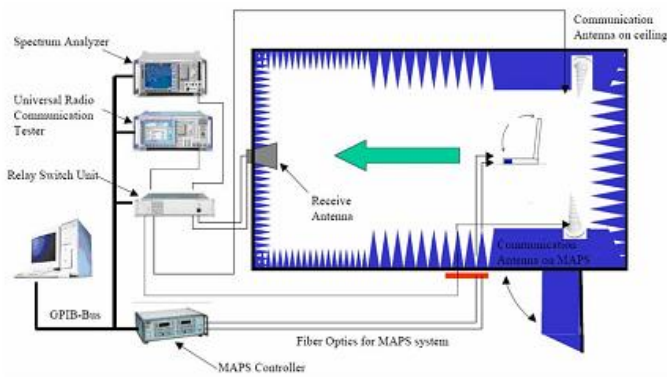
Agilent 8753D 5071B

### 2. Communications Test Set:

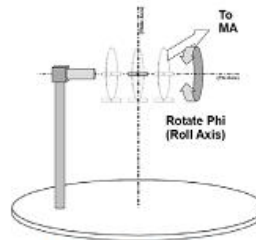
Agilent E5515C

### 3. 3D Chamber Test System

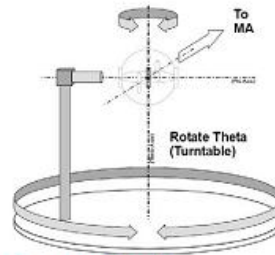
# Efficiency & Gain



(Testing by 3D anechoic chamber)



Phi axis test

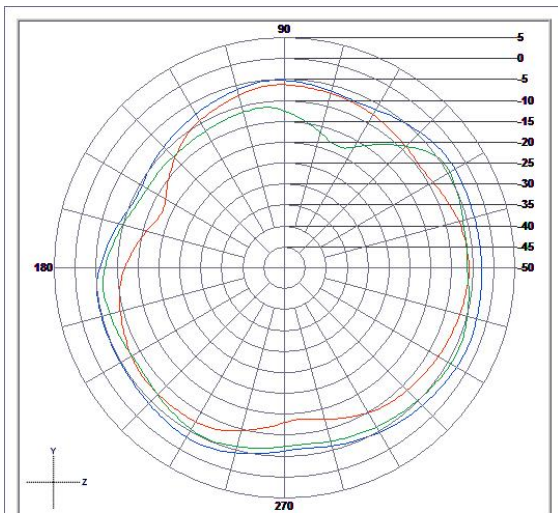


Theta axis test

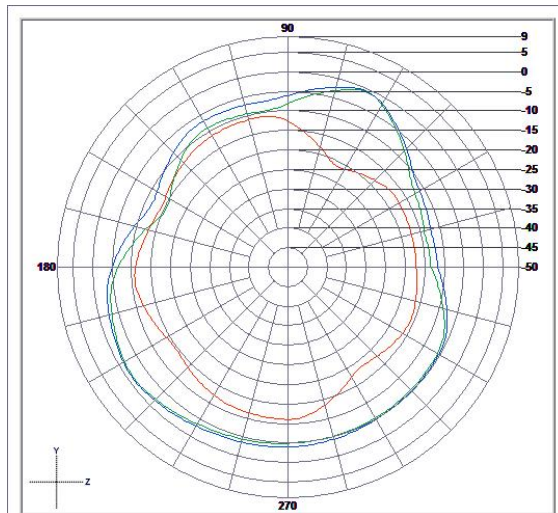
# Efficiency & Gain

2.40      -2.17  
 2.440    0.12  
 2.48      0.17

# Radiation Pattern:



	Vertical	Horizontal	Total
Avg. Gain	-8.4	-6.99	-4.63
Peak Gain	-5.48	-3.77	-2.17



	Vertical	Horizontal	Total
Avg. Gain	-13.34	-5.06	-4.46
Peak Gain	-10.3	0.09	0.12

