

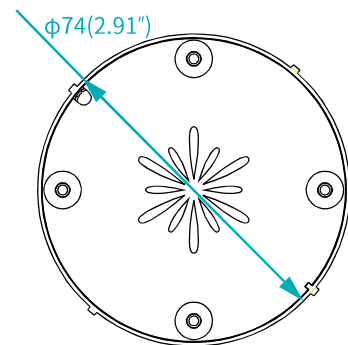
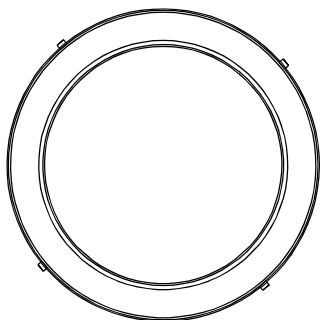
WP-W22-1



WISTOHT

Product Size Drawing

Standard Size Unit (mm)



∞ Feature

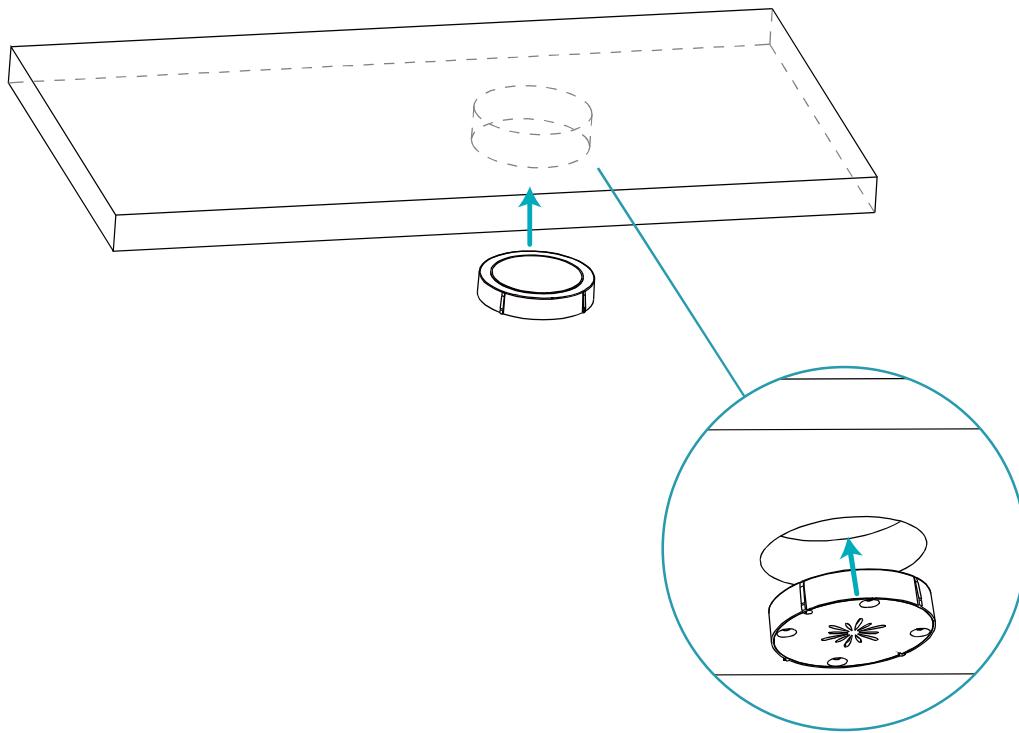
- 1 Wireless Charger
- 1.2m Power Plug
-

∞ Specification

Color	Black
Wire length	1.2m(47.24")
Wire diameter	3.5mm(0.14")
Input power	9V 2A
Output power	5W/7.5W/10W/15W
Power consumption in idle	≤0.3W
Charging distance	3-8mm(0.12"-0.31")
Hole size	Φ75mm(2.95"), ≤1.5-2mm(0.06"-0.08") away from the table
Safeguard	OVP、OCP、OTP、SCP、FOD
Material	ABS
Warranty	1 year

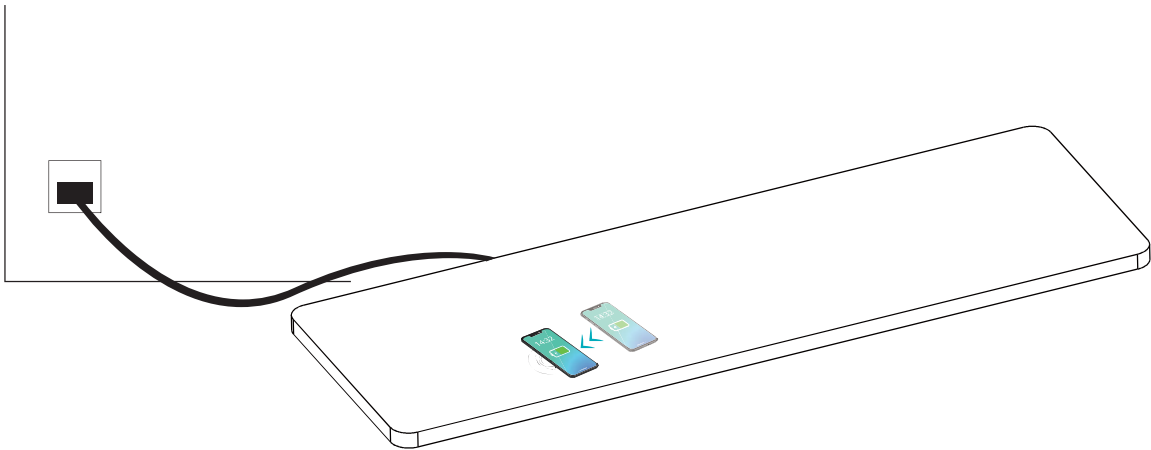
∞ Installation

- 1** Tear off the 3M adhesive film on the product and insert the product into the hole at the bottom of the surface ($\Phi 75\text{mm}(2.95\text{'})$, top pre-stressed leave the thickness $\leq 1.5\text{-}2\text{mm}(0.06\text{'-}0.08\text{'})$) to make it stick.



∞ Operation

Put the power plug in and then place the phone close to the charging label, and the magnetic absorption function will assist the phone to move to the best charging position.
(The magnetic absorption function only fit with the phone with magnetic suction or the phone has magnetic case.)



∞ FCC Warning

This device complies with part 15 of the FCC Rules. Operation is subject to the following two conditions:(1) This device may not cause harmful interference, and (2) this device must accept any interference received, including interference that may cause undesired operation.

Any Changes or modifications not expressly approved by the party responsible for compliance could void the user's authority to operate the equipment.

This equipment has been tested and found to comply with the limits for a Class B digital device, pursuant to part 15 of the FCC Rules. These limits are designed to provide reasonable protection against harmful interference in a residential installation. This equipment generates uses and can radiate radio frequency energy and, if not installed and used in accordance with the instructions, may cause harmful interference to radio communications. However, there is no guarantee that interference will not occur in a particular installation. If this equipment does cause harmful interference to radio or television reception, which can be determined by turning the equipment off and on, the user is encouraged to try to correct the interference by one or more of the following measures:

- Reorient or relocate the receiving antenna.
- Increase the separation between the equipment and receiver.
- Connect the equipment into an outlet on a circuit different from that to which the receiver is connected.
- Consult the dealer or an experienced radio/TV technician for help.

∞ FCC RF Exposure Statement

The equipment complies with FCC radiation exposure limits set forth for an uncontrolled environment. During the operation of device a distance of 15 cm surrounding the device and 20 cm above the top surface of the device must be respected.

FCC ID:2AWKM-WP-W22