

WIRELESS CAT LIGHT-UP HEADPHONES



INSTRUCTION MANUAL

PLEASE READ ALL INSTRUCTIONS CAREFULLY

AND RETAIN FOR FUTURE USE

Getting started

- Remove the product from the packaging.
- Please retain all packaging after you have checked and counted all the parts and the contents against the list.

Package Contents

- Bluetooth Headphones
- USB charging cable
- 3.5mm auxiliary cable
- Instruction Manual

Key Features

- Bluetooth Headphones with light-up cat ears
- LED lights can be turned on/off
- Connect & stream wireless music
- Built-in LED flashing lights on ears and ear-cups
- Built-in mic for hands-free calls
- Built-in memory card reader plays tracks from any Micro SD card (Micro SD Card Not Included)
- Built-in aux for wired connection
- Stereo & dynamic sound output
- Adjustable headband
- Foldable design
- Rechargeable battery
- Micro USB cable and auxiliary cable included

Safety Instructions

Keep the unit away from heat sources, direct sunlight, humidity, water and any other liquids.

Do not operate the unit if it has been exposed to water, moisture or any other liquids to prevent against electric shock, explosion and/or injury to yourself and damage to the unit.

Do not use the unit if it has been dropped or damaged in any way.

Repairs to electrical equipment should only be performed by a qualified electrician. Improper repairs may place the user at serious risk.

Do not use the unit with wet hands.

Do not put objects into any of the openings.

Keep the unit free from dust, lint etc.

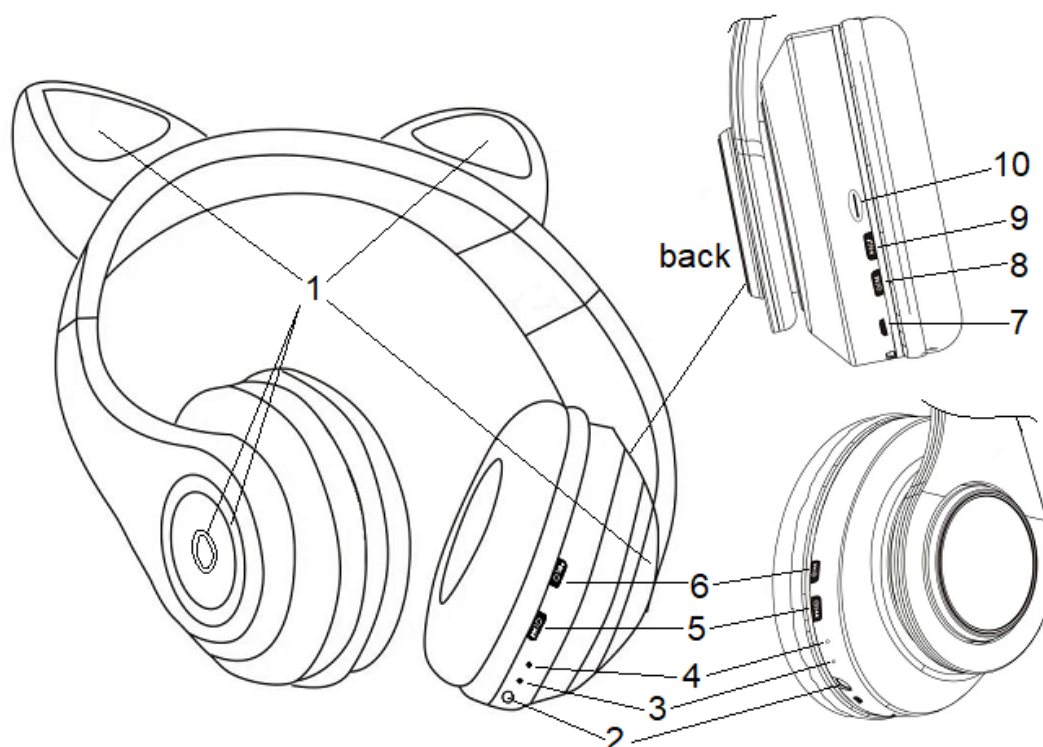
Do not use this unit for anything other than its intended use.

Keep the unit out of reach of children.

This product is not a toy.

Do not use the handset at excessive volume levels, as damage to hearing may occur.

Description of Parts:



1	LED lights
2	Auxiliary input
3	Indicator Light
4	Built-In Microphone
5	Previous Track / Volume Decrease (-)
6	Next Track / Volume Increase (+)
7	Charging port
8	On/Off / Mode button
9	Play/Pause / Phone / Light button
10	Micro SD (TF) card slot

INSTRUCTIONS FOR USE

Charging Instructions

- The Bluetooth Headphones comes with a built-in rechargeable battery. Before using it for the first time we recommend you charge the battery fully. Please use the supplied USB Cord to charge the Bluetooth Headphones. Please charge for 3 - 4 hours.
- Connect the USB charging cable to a computer USB port and the Micro USB plug into the charging port of the headphones. The Indicator Light turns Red while the device is charging. It takes 3 - 4 hours for the headphones to charge fully. Indicator Light turns off, when the battery is fully charged.

Turning on/off the device

Long Press On/Off button for 2-3 seconds to turn ON the headphones, or 1-2 seconds to turn

OFF.

Pairing the device with Bluetooth devices (phone or music device)

- Long Press On/Off button for 2-3 seconds to turn ON the headphones. An indication tone would be heard, and the indicator light will flash red and blue alternatively. Place the Bluetooth Headphones and Bluetooth source device (phone or music device) so that they are not more than 3 feet apart.
- Activate the Bluetooth function on your Bluetooth device (phone or music device). Please refer to the manufacturer's instructions for instructions on enabling Bluetooth on your device.
- Once you have activated Bluetooth on your device, select the "SL Cat Headphone" from the list of available Bluetooth devices.
- You might be prompted with "Pair with SL Cat Headphone?" message on your source device, with "Cancel" and "OK" options. Please click "OK".
- If required, enter the password '0000' to confirm pairing.
- Once paired successful, another indication tone would be heard and the indicator light will turn off.
- You're now ready to stream wireless music to your headphones.
- If pairing is unsuccessful, turn off the device first and then re-pair following the above steps.
- Once you have paired the Bluetooth Headphones with a device, the Headphones will remember this device and will pair automatically when the device's Bluetooth is activated and in range. You do not need to re-pair any previously connected devices.
- The Bluetooth Headphones will attempt to automatically connect to the last device it was paired with when switched on. If you want to pair it with a new device, please follow the steps outlined above.
- Once the Bluetooth Headphones is paired with your device the music will transmit through the Bluetooth Headphones. Please refer to your device's user manual for further information.

Function Summary

Listening to Music

- Once the Headphone is paired with your device you can stream music wirelessly through the Bluetooth Headphones. Should you encounter any problems while streaming please refer your device's user manual for further information.

Control Function

Function	Operation	Button
Increase Volume	Playing music	Long press the Volume increase button to increase the volume
Decrease Volume	Playing music	Long press the Volume decrease button to decrease the

		volume
Pause	Playing music	Short press the Play/Pause button to pause the music
Play	Pausing	Short press the Play/Pause button to restart the music
Previous track	Playing music	Short press on the Previous Track button to return to the previous track
Next track	Playing music	Short press on the Next Track button to skip to the next track

(Note: An indication tone will alert you when the volume is adjusted to the maximum level.)

Making a call with the Bluetooth Headphones in Bluetooth mode

Basic operation

Function	Operation	Button
Answer a call	Incoming Call	Short Press the Phone button once to answer an incoming call
Reject a call	Incoming Call	Long Press the Phone button for 1-2 seconds
End a call	Incoming Call	After your phone conversation, short press the Phone button.
Increase Volume	During a call	Long press on the Volume increase button to increase the volume
Decrease Volume	During a call	Long press on the Volume decrease button to decrease the volume
Redial last number	Standby mode and connected to a device	Short press the Phone button twice

Please Note

- Not all mobile phones support all the functions listed above. Please refer to your mobile phone's user's manual for further information.
- Certain functions and indication tones may vary depending on your mobile phone.

Listening to Music using Micro SD (TF) card slot

1. Turn on the Headphone.
2. Insert Micro SD (TF) card into the card slot, and music would be automatically streamed.
3. Short press Next track or Previous track button to move forward or backward on your playlist.
4. Short press Play/Pause button to Play or Pause a track.
5. Long press the Volume increase or Volume decrease button to increase or decrease the volume.

Note: While using Bluetooth, if you insert Micro SD card, Headphone would disconnect the

Bluetooth connection and switch to Micro SD card function. You can press Mode button again, to select the Bluetooth mode.

Tips!!

1. Short press the Mode button to switch different functions of the Headphone. The functions are – Bluetooth / Micro SD (TF) card.
2. When the headphone is not in use, turn it OFF to save the battery power.

Listening to Music using AUX-In Mode

1. Insert the 3.5mm auxiliary cable (provided) to the Aux input of the Headphones. And, the other end of the cable connects to the audio device (such as computer / tablet etc.).
2. Select your favorite song at the source device and play.

(Note: Using this Aux-in mode, you do not need to turn on the Headphones, and you need to control the volume increase/decrease, play/pause, next/previous track through your source device only).

LED Lights

1. Turn on the Headphone.
2. Short press the Light button 3 times to turn on/off the LED lights.

Do's and Don'ts

Do not play music at excessive levels. Damage to hearing and/or equipment may result.
Do not use outdoors in wet or in damp surroundings.

Care and Maintenance

Read the following recommendations before using the Bluetooth Headphones. Following these you will be able to enjoy the product for many years.

- Don't expose the Bluetooth Headphones to liquid, moisture or humidity to avoid the product's internal circuit being affected.
- Don't use abrasive cleaning solvents to clean the device.
- Don't expose the device to extremely high or low temperature as this will shorten the life of electronic devices, destroy the battery or distort certain plastic parts.
- Don't dispose of the device in a fire as it will result in an explosion.
- Don't expose the device to contact with sharp objects as this will cause scratches and damage.
- Don't let the device fall on the floor. The internal circuit might get damaged.
- Don't attempt to disassemble the headphones as it may cause permanent damage to it.

Specifications

Bluetooth version	5.0
Speaker output	2x20mW
Charging input voltage	DC 5V

Charging time	3 - 4 hours
Play time	4 - 5 hours
Bluetooth range	33 feet
Built-In Battery	400mAh
Micro SD (TF) card	Support up to 32GB

(Note: Battery life & charging time may vary based on usage & types of devices used.)

FCC Instructions

Caution: Changes or modifications not expressly approved by the party responsible for compliance could void the user's authority to operate the product.

NOTE: This product has been tested and found to comply with the limits for a Class B digital device, pursuant to Part 15 of the FCC Rules. These limits are designed to provide reasonable protection against harmful interference in a residential installation. This product generates, uses and can radiate radio frequency energy and, if not installed and used in accordance with the instructions, may cause harmful interference to radio communications. However, there is no guarantee that interference will not occur in a particular installation. If the product does cause harmful interference to radio or television reception, which can be determined by turning the equipment off and on, the user is encouraged to try to correct the interference by one or more of the following measures :

- Reorient or relocate the receiving antenna.
- Increase the separation between the product and receiver.
- Connect the product into an outlet on a circuit different from that to which the receiver is connected.
- Consult the dealer or an experienced radio/TV technician for help.

The device complies with Part 15 of the FCC Rules. Operation is subject to the following two conditions: (1) this device may not cause harmful interference, and (2) this device must accept any interference received, including interference that may cause undesired operation.

The device has been evaluated to meet general RF exposure requirement.

Limited Warranty

This manufacturer's product warranty extends to the original consumer purchaser of the product. Neither the retailer nor any other company involved in the sale or promotion of this product is a co-warrantor of this manufacturer warranty.

WARRANTY DURATION: All materials and workmanship are warranted to the original consumer purchaser for a period of ninety (90) days from the original purchase date.

WARRANTY COVERAGE: This product is warranted against defective materials or workmanship. This warranty is void if the product has been damaged by accident, in shipment, unreasonable use, misuse, neglect, improper service, commercial use, repairs by unauthorized personnel or other causes not arising out of defects in materials or workmanship. This warranty is effective only if

the product is purchased and operated in USA and does not extend to any units which have been used in violation of written instructions furnished by manufacturer or to units which have been altered or modified or, to damaged products or parts thereof which have had the serial number removed, altered, defaced or rendered illegible.

WARRANTY DISCLAIMERS: This warranty is in lieu of all warranties expressed or implied and no representative or person is authorized to assume for manufacturer any other liability in connection with the sale of our products. There shall be no claims for defects or failure under any theory of tort, contractor commercial law including but not limited to, negligence, gross negligence, strict liability, breach of warranty and breach of contract. Under no circumstances will Manufacturer's / Distributor's maximum liability exceed the retail value of the product.

WARRANTY PERFORMANCE: During the above 90-day warranty period, a product with a defect will be either repaired or replaced with a reconditioned comparable model (at manufacturer's option). The repaired or replacement product will be in warranty for the balance of the 90-day warranty period and an additional one-month period. No charge will be applicable for such repair or replacement.

SERVICE AND REPAIR: If service is required for this product, you should first contact Midwest Trading Group Customer Service at info@mtradinggroup.com or by calling 1 (866) 815-4714, Monday to Friday 10am to 6pm EST.

NOTE: Manufacturer cannot assume responsibility for loss or damage during incoming shipment. As a precautionary measure, carefully package the product for shipment, and insure it with the carrier. Be sure to enclose the following details with the product: your full name, return address and daytime phone number, a note describing the problem you experienced, a copy of your sales receipt or other proof of purchase to determine warranty status. C.O.D. shipments cannot be accepted.