

# FCC RADIO TEST REPORT

## FCC ID: 2AWCN-UNI10X

**Product:** Smart phone  
**Trade Mark:** uniqcell  
**Model No.:** UNI 10X  
**Family Model:** N/A  
**Report No.:** S21123100901005  
**Issue Date:** Jan 22. 2022

**Prepared for**  
4G NET INC

3000 NW 72 AVENUE MIAMI FLORIDA 33122 UNITED STATES

**Prepared by**

Shenzhen NTEK Testing Technology Co., Ltd.  
1/F, Building E, Fenda Science Park, Sanwei Community,  
Xixiang Street Bao'an District, Shenzhen P.R. China  
Tel. 400-800-6106, 0755-2320 0050, 0755-2320 0090  
Website:<http://www.ntek.org.cn>

## TABLE OF CONTENTS

<b>1</b>	<b>TEST RESULT CERTIFICATION .....</b>	<b>3</b>
<b>2</b>	<b>SUMMARY OF TEST RESULTS.....</b>	<b>4</b>
<b>3</b>	<b>FACILITIES AND ACCREDITATIONS .....</b>	<b>5</b>
3.1	FACILITIES.....	5
3.2	LABORATORY ACCREDITATIONS AND LISTINGS .....	5
3.3	MEASUREMENT UNCERTAINTY .....	5
<b>4</b>	<b>GENERAL DESCRIPTION OF EUT .....</b>	<b>6</b>
<b>5</b>	<b>DESCRIPTION OF TEST MODES .....</b>	<b>8</b>
<b>6</b>	<b>SETUP OF EQUIPMENT UNDER TEST .....</b>	<b>9</b>
6.1	BLOCK DIAGRAM CONFIGURATION OF TEST SYSTEM.....	9
6.2	SUPPORT EQUIPMENT.....	10
6.3	EQUIPMENTS LIST FOR ALL TEST ITEMS.....	11
<b>7</b>	<b>TEST REQUIREMENTS.....</b>	<b>12</b>
7.1	FIELD STRENGTH OF SPURIOUS RADIATION .....	12
7.2	EFFECTIVE RADIATED POWER AND EFFECTIVE ISOTROPIC RADIATED POWER.....	23
7.3	CONDUCTED OUTPUT POWER.....	29
7.4	FREQUENCY STABILITY.....	31
7.5	PEAK-TO-AVERAGE RATIO .....	37
7.6	26DB BANDWIDTH AND 99% OCCUPIED BANDWIDTH .....	39
7.7	CONDUCTED BAND EDGE .....	41
7.8	CONDUCTED SPURIOUS EMISSION AT ANTENNA TERMINAL .....	42

**1 TEST RESULT CERTIFICATION**

Applicant's name .....	4G NET INC
Address .....	3000 NW 72 AVENUE MIAMI FLORIDA 33122 UNITED STATES
Manufacturer's Name .....	SHENZHEN TR ELECTRONIC CO.,LTD
Address .....	Second floor A, Four floor B, Sailian Industrial Park, NO.50 Zhulong Tian Road, Fourth Industrial Zone, Shuitiancommunity,Shiyan Street, Baoan District, Shenzhen City.
Product description	
Product name .....	Smart phone
Model and/or type reference .....	UNI 10X
Family Model .....	N/A

Measurement Procedure Used:

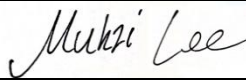
APPLICABLE STANDARDS	
APPLICABLE STANDARD/ TEST PROCEDURE	TEST RESULT
47 CFR Part 2, Part 22H, Part 24E, Part 27 ANSI/TIA-603-E-2016 FCC KDB 971168 D01 Power Meas License Digital Systems v03 ANSI C63.26:2015	Complied


This device described above has been tested by Shenzhen NTEK Testing Technology Co., Ltd., and the test results show that the equipment under test (EUT) is in compliance with the FCC requirements. And it is applicable only to the tested sample identified in the report.

This report shall not be reproduced except in full, without the written approval of Shenzhen NTEK Testing Technology Co., Ltd., this document may be altered or revised by Shenzhen NTEK Testing Technology Co., Ltd., personnel only, and shall be noted in the revision of the document.

The test results of this report relate only to the tested sample identified in this report.

Date of Test : Nov 15, 2021 ~Dec 15, 2021

Testing Engineer :   
(Mukzi Lee)

Authorized Signatory :   
(Alex Li)

**2 SUMMARY OF TEST RESULTS**

<b>FCC Part22H / FCC Part24E / FCC Part 27 &amp; ANSI C63.26-2015</b>			
<b>FCC Rule</b>	<b>Test Item</b>	<b>Verdict</b>	<b>Remark</b>
2.1046	Conducted Output Power	PASS	
24.232 27.50 KDB 971168 D01 Clause 5.7	Peak-to-Average Ratio	PASS	
2.1049 22.917 24.238 KDB 971168 D01 Clause 4.2	Occupied Bandwidth	PASS	
2.1051 22.917 24.238 27.53 KDB 971168 D01 Clause 6	Band Edge	PASS	
22.913 KDB 971168 D01 Clause 5.6	Effective Radiated Power	PASS	
24.232 27.50 KDB 971168 D01 Clause 5.6	Equivalent Isotropic Radiated Power	PASS	
2.1053 22.917 24.238 27.53 KDB 971168 D01 Clause 7	Field Strength of Spurious Radiation	PASS	
2.1055 22.355 24.235 27.54 KDB 971168 D01 Clause 9	Frequency Stability for Temperature & Voltage	PASS	
2.1051 22.917 24.238 27.53 KDB 971168 D01 Clause 6	Conducted Emission	PASS	

Remark:

1. "N/A" denotes test is not applicable in this Test Report.
2. All test items were verified and recorded according to the standards and without any deviation during the test.
3. No modifications are made to the EUT during all test items.

### 3 FACILITIES AND ACCREDITATIONS

#### 3.1 FACILITIES

All measurement facilities used to collect the measurement data are located at 1/F, Building E, Fenda Science Park, Sanwei Community, Xixiang Street, Bao'an District, Shenzhen 518126 P.R. China.

The sites are constructed in conformance with the requirements of ANSI C63.7, ANSI C63.10 and CISPR Publication 22.

#### 3.2 LABORATORY ACCREDITATIONS AND LISTINGS

Site Description

CNAS-Lab. : The Certificate Registration Number is L5516.

IC-Registration : The Certificate Registration Number is 9270A-1.

FCC- Accredited : Test Firm Registration Number: 463705.

Designation Number: CN1184

A2LA-Lab. : The Certificate Registration Number is 4298.01

This laboratory is accredited in accordance with the recognized International Standard ISO/IEC 17025:2005 General requirements for the competence of testing and calibration laboratories.

This accreditation demonstrates technical competence for a defined scope and the operation of a laboratory quality management system (refer to joint ISO-ILAC-IAF Communiqué dated 8 January 2009).

Name of Firm : Shenzhen NTEK Testing Technology Co., Ltd.

Site Location : 1/F, Building E, Fenda Science Park, Sanwei Community, Xixiang Street, Bao'an District, Shenzhen 518126 P.R. China.

#### 3.3 MEASUREMENT UNCERTAINTY

The reported uncertainty of measurement, where expanded uncertainty U is based on a standard uncertainty multiplied by a coverage factor of k=2, providing a level of confidence of approximately 95 %.

No.	Item	Uncertainty
1	Conducted Emission Test	±2.80dB
2	RF power, conducted	±0.16dB
3	Spurious emissions, conducted	±0.21dB
4	All emissions, radiated(9KHz~30MHz)	±6dB
5	All emissions, radiated(30MHz~1GHz)	±2.64dB
6	All emissions, radiated(1GHz~6GHz)	±2.40dB
7	All emissions, radiated(>6GHz)	±2.52dB
8	Temperature	±0.5°C
9	Humidity	±2%

**4 GENERAL DESCRIPTION OF EUT**

Product Feature and Specification	
Equipment	Smart phone
Trade Mark	uniqcell
FCC ID	2AWCN-UNI10X
Model No.	UNI 10X
Family Model	N/A
Model Difference	N/A
Operating Frequency	<input checked="" type="checkbox"/> GSM850: TX824.2MHz~848.8MHz /RX869.2MHz~893.8MHz; <input checked="" type="checkbox"/> UMTS FDD Band V: TX826.4MHz~846.6MHz /RX871.4MHz~891.6MHz; <input checked="" type="checkbox"/> PCS1900: TX1850.2MHz~1909.8MHz /RX1930.2MHz~1989.8MHz; <input checked="" type="checkbox"/> UMTS FDD Band II: TX1852.4MHz~1907.6MHz /RX1932.4MHz~1987.6MHz; <input checked="" type="checkbox"/> UMTS-FDD Band IV:TX1710MHz~1755MHz /RX2110MHz~2155MHz
Modulation	<input checked="" type="checkbox"/> GMSK for GSM/GPRS; <input checked="" type="checkbox"/> 8PSK for EGPRS; <input checked="" type="checkbox"/> QPSK for UMTS bands;
Power Class	4, tested with power level 5(GSM 850) 1, tested with power level 0(GSM 1900) 3, tested with power control "all 1"(WCDMA Band II/IV/V)
GPRS Class	<input checked="" type="checkbox"/> Multi-Class12 <input checked="" type="checkbox"/> Only 4 timeslots are used for GPRS and EGPRS
SIM CARD	SIM 1 and SIM 2 is a chipset unit and tested as a single chipset. The SIM 1 is chosen for test.
Antenna Type	PIFA Antenna
Antenna Gain	GSM 850: 0.32dBi; GSM:1900:0.74dBi Band II: 0.74dBi; Band IV: 0.85dBi; Band V: 0.32dBi
Adapter	Model: MST-0502000-FCC Input: AC 100-240V~50/60Hz 0.3A Output: DC 5V---2000mA
Battery	DC 3.85V, 4200mAh, 16.17Wh
Power supply	DC 3.85V from battery or DC 5V from Adapter.
HW Version	G2062U-PT-V1.0
SW Version	S6505L-AM-R-MV06404-09 27122021

Note: Based on the application, features, or specification exhibited in User's Manual, the EUT is considered as an ITE/Computing Device. More details of EUT technical specification, please refer to the User's Manual. The High Voltage 4.2V and Low Voltage 3.4V was declared by manufacturer, The EUT couldn't be operate normally with higher or lower voltage.

**Revision History**

Report No.	Version	Description	Issued Date
S21123100901005	Rev.01	Initial issue of report	Jan 22, 2022

## 5 DESCRIPTION OF TEST MODES

During the testing, the EUT was controlled via Rhode & Schwarz Digital Radio Communication Tester(CMU 200) to ensure max power transmission and proper modulation. Three channels (The low channel, the middle channel and the high channel) were chosen for testing on, GSM/GPRS/EGPRS 850, GSM/GPRS/EGPRS 1900, HSDPA band II, HSUPA band II, HSDPA band V, HSUPA band V, HSDPA band IV, HSUPA band IV frequency band.

Note: GSM/GPRS/EGPRS 850, GSM/GPRS/EGPRS 1900, HSDPA band II, HSUPA band II, HSDPA band V, HSUPA band V, HSDPA band IV, HSUPA band IV, modes have been tested during the test. the worst condition be recorded in the test report if no other modes test data.

Antenna port conducted and radiated test items were performed according to KDB 971168 D01 Power Meas. License Digital Systems v03 with maximum output power.

Radiated measurements were performed with rotating EUT in different three orthogonal test planes to find the maximum emission.

Radiated emissions were investigated as following frequency range:

1. 30 MHz to 10th harmonic for GSM850/UMTS FDD Band V/ UMTS FDD Band IV.
2. 30 MHz to 10th harmonic for GSM1900/UMTS FDD Band II

All modes and data rates and positions were investigated.

Test modes are chosen to be reported as the worst case configuration below:

Test Modes		
Band	For Conducted Test Cases	For Radiated Test Cases
GSM 850/1900	GSM Link	GSM Link
UMTS Band II	RMC 12.2Kbps Link	RMC 12.2Kbps Link
UMTS Band V	RMC 12.2Kbps Link	RMC 12.2Kbps Link
UMTS Band IV	RMC 12.2Kbps Link	RMC 12.2Kbps Link

Test Frequency and Channels:

Frequency Band	<input checked="" type="checkbox"/> GSM 850		<input checked="" type="checkbox"/> GSM 1900		<input checked="" type="checkbox"/> UMTS Band II		<input checked="" type="checkbox"/> UMTS Band V	
	Channel	Frequency (MHz)	Channel	Frequency (MHz)	Channel	Frequency (MHz)	Channel	Frequency (MHz)
CH_H	251	848.8	810	1909.8	9538	1907.6	4233	846.6
CH_M	189	836.4	661	1880.0	9400	1880.0	4182	836.4
CH_L	128	824.2	512	1850.2	9262	1852.4	4132	826.4

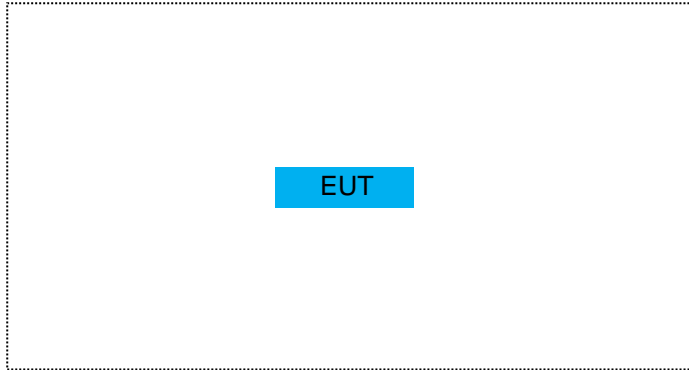
Frequency Band	<input checked="" type="checkbox"/> UMTS Band IV	
	Channel	Frequency (MHz)
CH_H	1513	1752.6
CH_M	1413	1732.6
CH_L	1312	1712.4



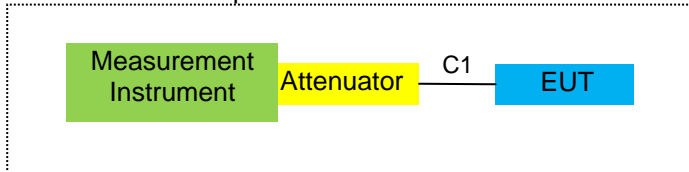
## 6 SETUP OF EQUIPMENT UNDER TEST

### 6.1 BLOCK DIAGRAM CONFIGURATION OF TEST SYSTEM

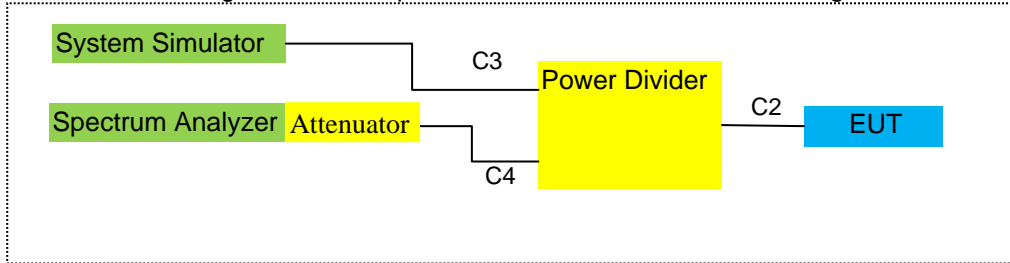
For Radiated Test Cases



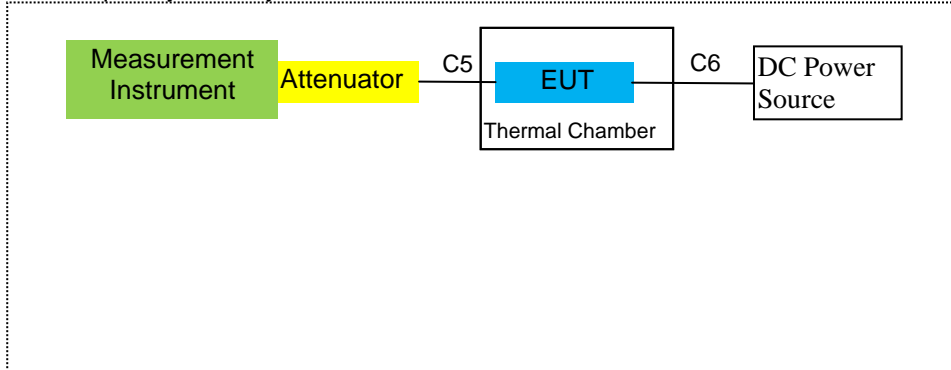
For Conducted Output Power



For Peak-to Average Ratio, Occupied Bandwidth, Conducted Band edge and Conducted Spurious Emission



For Frequency Stability



**6.2 SUPPORT EQUIPMENT**

The EUT has been tested as an independent unit together with other necessary accessories or support units. The following support units or accessories were used to form a representative test configuration during the tests.

Item	Equipment	Mfr/Brand	Model/Type No.	Series No.	Note

Item	Cable Type	Shielded Type	Ferrite Core	Length
C-1	RF Cable	YES	NO	0.1m
C-2	RF Cable	YES	NO	0.1m
C-3	RF Cable	YES	NO	0.1m
C-4	RF Cable	YES	NO	0.2m
C-5	RF Cable	YES	NO	0.2m
C-6	DC Cable	NO	NO	1.0m

**Notes:**

- (1) The support equipment was authorized by Declaration of Confirmation.
- (2) For detachable type I/O cable should be specified the length in cm in 『Length』 column.
- (3) “YES” is means “shielded” “with core”; “NO” is means “unshielded” “without core”.

### 6.3 EQUIPMENTS LIST FOR ALL TEST ITEMS

Item	Kind of Equipment	Manufacturer	Type No.	Serial No.	Last calibration	Calibrated until	Calibration period
1	MXA Signal Analyzer	Agilent	N9020A	MY49100060	2021.07.01	2022.06.30	1 year
2	Test Receiver	R&S	ESPI	101318	2021.04.27	2022.04.26	1 year
3	Bilog Antenna	TESEQ	CBL6111D	31216	2021.03.29	2022.03.28	1 year
4	50Ω Coaxial Switch	Anritsu	MP59B	6200983705	2020.05.11	2023.05.10	3 year
5	Horn Antenna	EM	EM-AH-10180	2011071402	2021.03.29	2022.03.28	3 year
6	Horn Ant	Schwarzbeck	BBHA 9170	9170-181	2021.07.01	2022.06.30	1 year
7	Amplifier	EM	EM-30180	060538	2021.07.01	2022.06.30	1 year
8	Loop Antenna	ARA	PLA-1030/B	1029	2021.04.27	2022.04.26	1 year
9	Power Meter	R&S	NRVS	100696	2021.07.01	2022.06.30	1 year
10	Power Sensor	R&S	URV5-Z4	0395.1619.05	2021.04.27	2022.04.26	1 year
11	Test Cable	N/A	R-01	N/A	2019.08.06	2022.08.05	3 year
12	Test Cable	N/A	R-02	N/A	2019.08.06	2022.08.05	3 year
13	Test Cable	N/A	R-03	N/A	2019.08.06	2022.08.05	3 year
14	Test Receiver	R&S	ESCI	101160	2021.04.27	2022.04.26	1 year
15	LISN	R&S	ENV216	101313	2021.04.27	2022.04.26	1 year
16	LISN	EMCO	3816/2	00042990	2021.04.27	2022.04.26	1 year
17	50Ω Coaxial Switch	Anritsu	MP59B	6200264417	2021.04.27	2022.04.26	1 year
18	Passive Voltage Probe	R&S	ESH2-Z3	100196	2020.05.11	2023.05.10	3 year
19	Test Cable	N/A	C01	N/A	2020.05.11	2023.05.10	3 year
20	Test Cable	N/A	C02	N/A	2020.05.11	2023.05.10	3 year
21	Test Cable	N/A	C03	N/A	2020.05.11	2023.05.10	3 year
22	Spectrum Analyzer	agilent	e4440a	us44300399	2021.04.27	2022.04.26	1 year
23	test receiver	R&S	ESCI	a0304218	2021.04.27	2022.04.26	1 year
24	Communication Tester	R&S	CMU200	A0304247	2021.04.27	2022.04.26	1 year
25	Thermal Chamber	Ten Billion	TTC-B3C	TBN-960502	2021.04.27	2022.04.26	1 year
26	DC Power Source	N/A	PS-6005D	20170402923	2020.05.11	2023.05.10	3 year

Note: Each piece of equipment is scheduled for calibration once a year except the Test Cable& DC Power Source which is scheduled for calibration every 3 years.

## 7 TEST REQUIREMENTS

### 7.1 FIELD STRENGTH OF SPURIOUS RADIATION

#### 7.1.1 Applicable Standard

According to FCC KDB 971168 D01 v03 Section 5.8 and ANSI/TIA-603-E-2016 Section 2.2.12

#### 7.1.2 Conformance Limit

The power of any emission outside of the authorized operating frequency ranges must be attenuated below the transmitter power (P) by a factor of at least  $43 + 10 \log (P)$  dB. The spectrum is scanned from 30 MHz up to a frequency including its 10th harmonic.

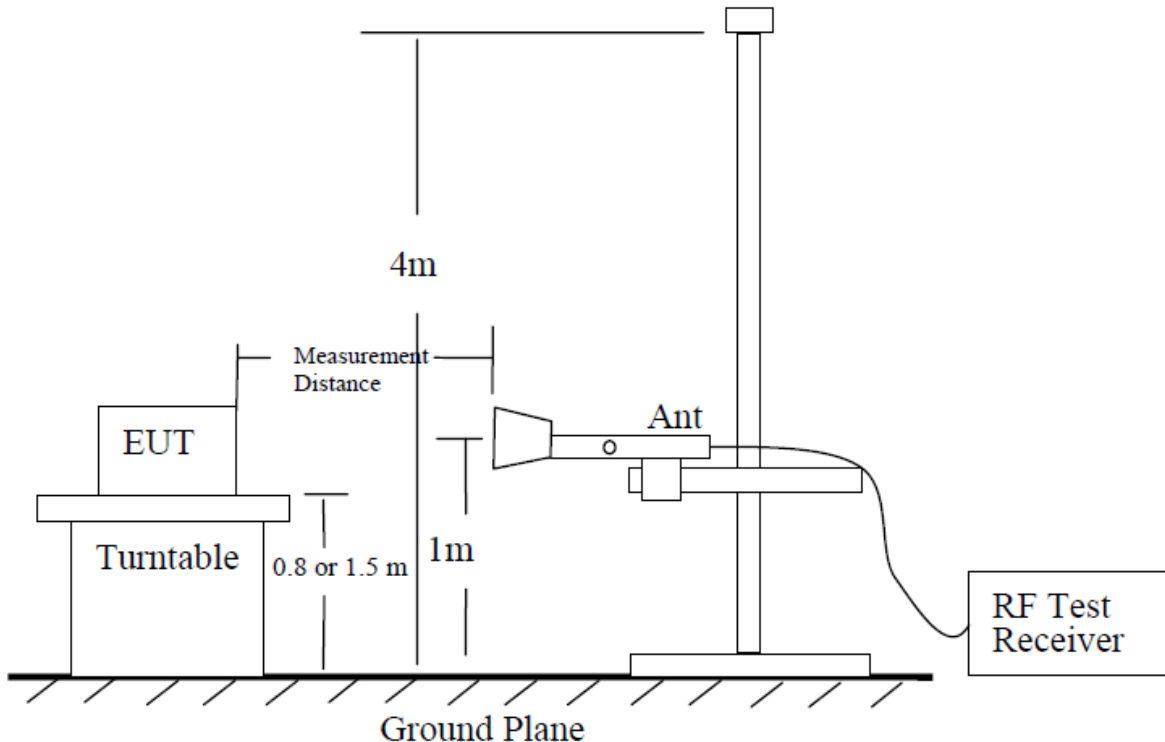
#### 7.1.3 Measuring Instruments

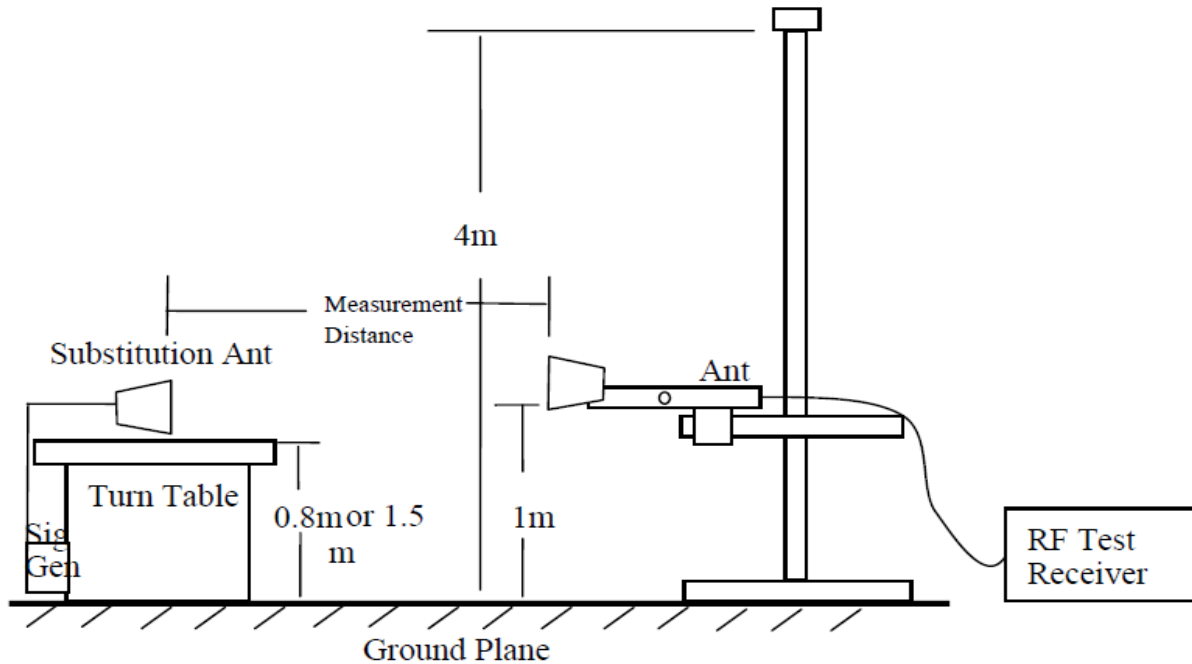
The Measuring equipment is listed in the section 6.3 of this test report.

#### 7.1.4 Test Configuration

According to the ANSI/TIA-603-E-2016 test method, The Receiver or Spectrum was scanned from 9 KHz to the 10th harmonic of the highest frequency generated within the equipment, which is the transmitted carrier that can be as high as 1910 MHz The resolution bandwidth is set as outlined in Part 24.238, Part 22.917. The spectrum is scanned with the mobile station transmitting at carrier frequencies that pertain to low, mid and high channels of WCDMA Band II / V / IV / GSM 850 / 1900.

### TEST CONFIGURATION





### 7.1.5 Test Procedure

1. EUT was placed on a 0.8 meter (For frequency above 1G, EUT should be placed on 1.5m) high non-conductive stand at a 3 meter test distance from the receive antenna. A receiving antenna was placed on the antenna mast 3 meters from the EUT for emission measurements. The height of receiving antenna is 1.50 meter. Detected emissions were maximized at each frequency by rotating the EUT through 360° and adjusting the receiving antenna polarization. The radiated emission measurements of all transmit frequencies in three channels (High, Middle, Low) were measured with peak detector.
2. A log-periodic antenna or double-ridged waveguide horn antenna shall be substituted in place of the EUT. The log-periodic antenna will be driven by a signal generator and the level will be adjusted till the same power value on the spectrum analyzer or receiver. The level of the spurious emissions can be calculated through the level of the signal generator, cable loss, the gain of the substitution antenna and the reading of the spectrum analyzer or receiver.
3. The EUT is then put into continuously transmitting mode at its maximum power level during the test. Set Test Receiver or Spectrum RBW=1MHz, VBW=3MHz, And the maximum value of the receiver should be recorded as (P<sub>r</sub>).
4. The EUT shall be replaced by a substitution antenna. In the chamber, an substitution antenna for the frequency band of interest is placed at the reference point of the chamber. An RF Signal source for the frequency band of interest is connected to the substitution antenna with a cable that has been constructed to not interfere with the radiation pattern of the antenna. A power (SG Level) is applied to the input of the substitution antenna, and adjust the level of the signal generator output until the value of the receiver reach the previously recorded (P<sub>r</sub>). The power of signal source (SG Level) is recorded. The test should be performed by rotating the test item and adjusting the receiving antenna polarization.
5. A amplifier should be connected to the Signal Source output port. And the cable should be connect between the Amplifier and the Substitution Antenna. The cable loss (Cable Loss), the Substitution Antenna Gain should be recorded after test.  
The measurement results are obtained as described below:  
Power(EIRP)= SG Level- Cable Loss+ Antenna Gain
6. This value is EIRP since the measurement is calibrated using an antenna of known gain (2.15 dBi) and known input power.
7. ERP can be calculated from EIRP by subtracting the gain of the dipole, ERP = EIRP -2.15dBi.

**7.1.6 Test Results**

EUT:	Smart phone	Model No.:	UNI 10X
Temperature:	20 °C	Relative Humidity:	48%
Test Mode:	GSM/GPRS/EGPRS 850, GSM/GPRS/EGPRS 1900, UMTS band II/ UMTS band V/ UMTS band IV,	Test By:	Mukzi Lee

■ Radiated Spurious Emission

<b>GSM 850</b>							
Frequency (MHz)	Spectrum Analyzer (dBm)	Cable Loss (dB)	Antenna Factor (dB/m)	Spurious Emission Level (dBm)	Limit (dBm)	Margin (dB)	Polarity
Test Results for Channel 128/824.2 MHz							
1648.4	-74.16	2.80	27.50	-32.12	-13	-19.12	Vertical
1648.4	-65.64	2.80	27.50	-23.60	-13	-10.60	Horizontal
2472.6	-66.96	2.91	27.80	-24.51	-13	-11.51	Vertical
2472.6	-65.88	2.91	27.80	-23.43	-13	-10.43	Horizontal
3296.8	-75.43	4.02	29.87	-29.80	-13	-16.80	Vertical
3296.8	-66.76	4.02	29.87	-21.13	-13	-8.13	Horizontal
178.4	-62.58	1.48	17.96	-31.40	-13	-18.40	Vertical
159.2	-65.98	1.46	16.19	-36.59	-13	-23.59	Horizontal
Test Results for Channel 189/836.4 MHz							
1672.8	-68.85	2.80	27.48	-26.83	-13	-13.83	Vertical
1672.8	-68.58	2.80	27.48	-26.56	-13	-13.56	Horizontal
2509.2	-66.8	2.91	27.70	-24.45	-13	-11.45	Vertical
2509.2	-64.33	2.91	27.70	-21.98	-13	-8.98	Horizontal
3345.6	-70.41	4.02	29.82	-24.83	-13	-11.83	Vertical
3345.6	-69.32	4.02	29.82	-23.74	-13	-10.74	Horizontal
261.3	-67.74	1.65	17.84	-36.51	-13	-23.51	Vertical
238.4	-67.41	1.39	17.21	-37.07	-13	-24.07	Horizontal
Test Results for Channel 251/848.8 MHz							
1697.6	-68.43	2.80	27.42	-26.47	-13	-13.47	Vertical
1697.6	-69.72	2.80	27.42	-27.76	-13	-14.76	Horizontal
2546.4	-66.26	2.91	27.68	-23.93	-13	-10.93	Vertical
2546.4	-65.87	2.91	27.68	-23.54	-13	-10.54	Horizontal
3395.2	-69.39	4.02	29.80	-23.83	-13	-10.83	Vertical
3395.2	-69.97	4.02	29.80	-24.41	-13	-11.41	Horizontal
153.2	-60.32	1.66	15.24	-31.68	-13	-18.68	Vertical
214.3	-66.60	1.74	16.74	-36.38	-13	-23.38	Horizontal

Remark:

1. We were tested all Configuration refer 3GPP TS134 121.
2. Spurious Emission Level = Spectrum Analyzer Read Value + Cable Loss+ Antenna Factor + 11.74
3. Margin = Spurious Emission Level - Limit

GPRS 850							
Frequency (MHz)	Spectrum Analyzer (dBm)	Cable Loss (dB)	Antenna Factor (dB/m)	Spurious Emission Level (dBm)	Limit (dBm)	Margin (dB)	Polarity
Test Results for Channel 128/824.2 MHz							
1648.4	-68.27	2.80	27.50	-26.23	-13	-13.23	Vertical
1648.4	-68.29	2.80	27.50	-26.25	-13	-13.25	Horizontal
2472.6	-64.35	2.91	27.80	-21.90	-13	-8.90	Vertical
2472.6	-67.98	2.91	27.80	-25.53	-13	-12.53	Horizontal
3296.8	-66.93	4.02	29.87	-21.30	-13	-8.30	Vertical
3296.8	-70.65	4.02	29.87	-25.02	-13	-12.02	Horizontal
253.5	-58.11	1.59	15.56	-29.22	-13	-16.22	Vertical
180.8	-66.48	1.64	17.75	-35.35	-13	-22.35	Horizontal
Test Results for Channel 190/836.6 MHz							
1672.8	-70.97	2.80	27.48	-28.95	-13	-15.95	Vertical
1672.8	-68.1	2.80	27.48	-26.08	-13	-13.08	Horizontal
2509.2	-72.09	2.91	27.70	-29.74	-13	-16.74	Vertical
2509.2	-66.24	2.91	27.70	-23.89	-13	-10.89	Horizontal
3345.6	-68.86	4.02	29.82	-23.28	-13	-10.28	Vertical
3345.6	-66.25	4.02	29.82	-20.67	-13	-7.67	Horizontal
103.7	-63.98	1.62	16.80	-33.82	-13	-20.82	Vertical
191.8	-68.31	1.69	17.14	-37.74	-13	-24.74	Horizontal
Test Results for Channel 251/848.8 MHz							
1697.6	-67.17	2.80	27.42	-25.21	-13	-12.21	Vertical
1697.6	-60.77	2.80	27.42	-18.81	-13	-5.81	Horizontal
2546.4	-62.78	2.91	27.68	-20.45	-13	-7.45	Vertical
2546.4	-67.64	2.91	27.68	-25.31	-13	-12.31	Horizontal
3395.2	-64.13	4.02	29.80	-18.57	-13	-5.57	Vertical
3395.2	-63.96	4.02	29.80	-18.40	-13	-5.40	Horizontal
178.4	-60.91	1.63	15.70	-31.84	-13	-18.84	Vertical
179.0	-67.93	1.64	17.55	-37.00	-13	-24.00	Horizontal

Remark:

1. We were tested all Configuration refer 3GPP TS134 121.
2. Spurious Emission Level = Spectrum Analyzer Read Value + Cable Loss+ Antenna Factor + 11.74
3. Margin = Spurious Emission Level - Limit

<b>EGPRS 850</b>							
Frequency (MHz)	Spectrum Analyzer (dBm)	Cable Loss (dB)	Antenna Factor (dB/m)	Spurious Emission Level (dBm)	Limit (dBm)	Margin (dB)	Polarity
Test Results for Channel 128/824.2 MHz							
1648.4	-68.04	2.80	27.50	-26.00	-13	-13.00	Vertical
1648.4	-68.71	2.80	27.50	-26.67	-13	-13.67	Horizontal
2472.6	-74.17	2.91	27.80	-31.72	-13	-18.72	Vertical
2472.6	-65.85	2.91	27.80	-23.40	-13	-10.40	Horizontal
3296.8	-71.96	4.02	29.87	-26.33	-13	-13.33	Vertical
3296.8	-68.33	4.02	29.87	-22.70	-13	-9.70	Horizontal
183.4	-63.13	1.71	17.48	-32.20	-13	-19.20	Vertical
266.9	-61.15	1.50	15.26	-32.65	-13	-19.65	Horizontal
Test Results for Channel 190/836.6 MHz							
1672.8	-63.6	2.80	27.48	-21.58	-13	-8.58	Vertical
1672.8	-72.07	2.80	27.48	-30.05	-13	-17.05	Horizontal
2509.2	-70.28	2.91	27.70	-27.93	-13	-14.93	Vertical
2509.2	-72.62	2.91	27.70	-30.27	-13	-17.27	Horizontal
3345.6	-73.38	4.02	29.82	-27.80	-13	-14.80	Vertical
3345.6	-63.68	4.02	29.82	-18.10	-13	-5.10	Horizontal
225.3	-63.04	1.47	15.58	-34.25	-13	-21.25	Vertical
249.3	-63.04	1.80	15.83	-33.67	-13	-20.67	Horizontal
Test Results for Channel 251/848.8 MHz							
1697.6	-66.64	2.80	27.42	-24.68	-13	-11.68	Vertical
1697.6	-70.57	2.80	27.42	-28.61	-13	-15.61	Horizontal
2546.4	-73.48	2.91	27.68	-31.15	-13	-18.15	Vertical
2546.4	-69.51	2.91	27.68	-27.18	-13	-14.18	Horizontal
3395.2	-70.39	4.02	29.80	-24.83	-13	-11.83	Vertical
3395.2	-67.35	4.02	29.80	-21.79	-13	-8.79	Horizontal
273.4	-60.62	1.43	16.16	-31.29	-13	-18.29	Vertical
167.9	-61.32	1.66	17.16	-30.76	-13	-17.76	Horizontal

**Remark:**

1. We were tested all Configuration refer 3GPP TS134 121.
2. Spurious Emission Level = Spectrum Analyzer Read Value + Cable Loss+ Antenna Factor + 11.74
3. Margin = Spurious Emission Level - Limit



<b>WCDMA Band V</b>							
Frequency (MHz)	Spectrum Analyzer (dBm)	Cable Loss (dB)	Antenna Factor (dB/m)	Spurious Emission Level (dBm)	Limit (dBm)	Margin (dB)	Polarity
Test Results for Channel 4233/846.6MHz							
1693.2	-67.24	2.80	27.50	-25.20	-13	-12.20	Vertical
1693.2	-69.24	2.80	27.50	-27.20	-13	-14.20	Horizontal
2539.8	-70.56	2.91	27.80	-28.11	-13	-15.11	Vertical
2539.8	-68.58	2.91	27.80	-26.13	-13	-13.13	Horizontal
3386.4	-62.8	4.02	29.87	-17.17	-13	-4.17	Vertical
3386.4	-63.71	4.02	29.87	-18.08	-13	-5.08	Horizontal
256.4	-60.16	1.78	16.75	-29.89	-13	-16.89	Vertical
191.1	-64.22	1.40	16.61	-34.47	-13	-21.47	Horizontal
Test Results for Channel 4182/836.4MHz							
1672.8	-67.2	2.80	27.48	-25.18	-13	-12.18	Vertical
1672.8	-68.95	2.80	27.48	-26.93	-13	-13.93	Horizontal
2509.2	-65.02	2.91	27.70	-22.67	-13	-9.67	Vertical
2509.2	-61.5	2.91	27.70	-19.15	-13	-6.15	Horizontal
3345.6	-65.48	4.02	29.82	-19.90	-13	-6.90	Vertical
3345.6	-64.94	4.02	29.82	-19.36	-13	-6.36	Horizontal
98.5	-68.84	1.50	17.64	-37.96	-13	-24.96	Vertical
186.0	-65.94	1.41	16.97	-35.82	-13	-22.82	Horizontal
Test Results for Channel 4132/826.4MHz							
1652.8	-62.1	2.80	27.42	-20.14	-13	-7.14	Vertical
1652.8	-67.08	2.80	27.42	-25.12	-13	-12.12	Horizontal
2479.2	-69.92	2.91	27.68	-27.59	-13	-14.59	Vertical
2479.2	-70.47	2.91	27.68	-28.14	-13	-15.14	Horizontal
3305.6	-67.95	4.02	29.80	-22.39	-13	-9.39	Vertical
3305.6	-76.83	4.02	29.80	-31.27	-13	-18.27	Horizontal
171.7	-62.37	1.40	15.16	-34.07	-13	-21.07	Vertical
185.6	-63.14	1.36	17.08	-32.96	-13	-19.96	Horizontal

**Remark:**

1. We were tested all Configuration refer 3GPP TS134 121.
2. Spurious Emission Level = Spectrum Analyzer Read Value + Cable Loss+ Antenna Factor + 11.74
3. Margin = Spurious Emission Level - Limit

GSM 1900							
Frequency (MHz)	Spectrum Analyzer (dBm)	Cable Loss (dB)	Antenna Factor (dB/m)	Spurious Emission Level (dBm)	Limit (dBm)	Margin (dB)	Polarity
Test Results for Channel 512/1850.2MHz							
3700.4	-73.07	4.04	33.51	-23.78	-13	-10.78	Vertical
3700.4	-72.1	4.04	33.51	-22.81	-13	-9.81	Horizontal
5550.6	-76.48	5.24	35.84	-23.66	-13	-10.66	Vertical
5550.6	-70.22	5.24	35.84	-17.40	-13	-4.40	Horizontal
130.8	-67.26	1.30	16.18	-38.04	-13	-25.04	Vertical
227.0	-64.57	1.65	17.15	-34.03	-13	-21.03	Horizontal
Test Results for Channel 661/1880.0MHz							
3760	-76.1	4.04	33.56	-26.76	-13	-13.76	Vertical
3760	-69.76	4.04	33.56	-20.42	-13	-7.42	Horizontal
5640	-72.6	5.24	35.91	-19.71	-13	-6.71	Vertical
5640	-76.79	5.24	35.91	-23.90	-13	-10.90	Horizontal
242.8	-57.65	1.51	15.71	-28.69	-13	-15.69	Vertical
94.7	-65.55	1.78	17.09	-34.94	-13	-21.94	Horizontal
Test Results for Channel 810/1909.8MHz							
3819.6	-70.96	4.04	34.00	-21.18	-13	-8.18	Vertical
3819.6	-73.51	4.04	34.00	-23.73	-13	-10.73	Horizontal
5729.4	-76.24	5.24	36.04	-23.22	-13	-10.22	Vertical
5729.4	-72.25	5.24	36.04	-19.23	-13	-6.23	Horizontal
117.4	-60.33	1.65	15.03	-31.91	-13	-18.91	Vertical
183.7	-61.06	1.79	16.31	-31.22	-13	-18.22	Horizontal

Remark:

1. We were tested all Configuration refer 3GPP TS134 121.
2. Spurious Emission Level = Spectrum Analyzer Read Value + Cable Loss+ Antenna Factor + 11.74
3. Margin = Spurious Emission Level - Limit

GPRS 1900							
Frequency (MHz)	Spectrum Analyzer (dBm)	Cable Loss (dB)	Antenna Factor (dB/m)	Spurious Emission Level (dBm)	Limit (dBm)	Margin (dB)	Polarity
Test Results for Channel 512/1850.2MHz							
3700.4	-70.43	4.04	33.51	-21.14	-13	-8.14	Vertical
3700.4	-69.41	4.04	33.51	-20.12	-13	-7.12	Horizontal
5550.6	-70.67	5.24	35.84	-17.85	-13	-4.85	Vertical
5550.6	-75.63	5.24	35.84	-22.81	-13	-9.81	Horizontal
257.9	-61.29	1.44	15.68	-32.43	-13	-19.43	Vertical
189.7	-67.08	1.38	17.68	-36.28	-13	-23.28	Horizontal
Test Results for Channel 661/1880.0MHz							
3760	-71.91	4.04	33.56	-22.57	-13	-9.57	Vertical
3760	-75.84	4.04	33.56	-26.50	-13	-13.50	Horizontal
5640	-70.21	5.24	35.91	-17.32	-13	-4.32	Vertical
5640	-70.63	5.24	35.91	-17.74	-13	-4.74	Horizontal
170.8	-58.55	1.47	15.37	-29.97	-13	-16.97	Vertical
128.9	-58.21	1.63	16.16	-28.68	-13	-15.68	Horizontal
Test Results for Channel 810/1909.8MHz							
3819.6	-72.45	4.04	34.00	-22.67	-13	-9.67	Vertical
3819.6	-71.6	4.04	34.00	-21.82	-13	-8.82	Horizontal
5729.4	-70.04	5.24	36.04	-17.02	-13	-4.02	Vertical
5729.4	-73.52	5.24	36.04	-20.50	-13	-7.50	Horizontal
132.9	-64.17	1.67	15.60	-35.16	-13	-22.16	Vertical
140.3	-68.67	1.63	17.33	-37.97	-13	-24.97	Horizontal

Remark:

1. We were tested all Configuration refer 3GPP TS134 121.
2. Spurious Emission Level = Spectrum Analyzer Read Value + Cable Loss+ Antenna Factor + 11.74
3. Margin = Spurious Emission Level - Limit

<b>EGPRS 1900</b>							
Frequency (MHz)	Spectrum Analyzer (dBm)	Cable Loss (dB)	Antenna Factor (dB/m)	Spurious Emission Level (dBm)	Limit (dBm)	Margin (dB)	Polarity
Test Results for Channel 512/1850.2MHz							
3700.4	-68.11	4.04	33.51	-18.82	-13	-5.82	Vertical
3700.4	-72.12	4.04	33.51	-22.83	-13	-9.83	Horizontal
5550.6	-72.09	5.24	35.84	-19.27	-13	-6.27	Vertical
5550.6	-70.4	5.24	35.84	-17.58	-13	-4.58	Horizontal
177.8	-63.92	1.73	17.86	-32.59	-13	-19.59	Vertical
89.5	-65.69	1.71	16.15	-36.09	-13	-23.09	Horizontal
Test Results for Channel 661/1880.0MHz							
3760	-72.64	4.04	33.56	-23.30	-13	-10.30	Vertical
3760	-68.28	4.04	33.56	-18.94	-13	-5.94	Horizontal
5640	-74.88	5.24	35.91	-21.99	-13	-8.99	Vertical
5640	-76.03	5.24	35.91	-23.14	-13	-10.14	Horizontal
256.4	-67.42	1.61	17.17	-36.90	-13	-23.90	Vertical
120.8	-61.45	1.33	17.40	-30.98	-13	-17.98	Horizontal
Test Results for Channel 810/1909.8MHz							
3819.6	-72.53	4.04	34.00	-22.75	-13	-9.75	Vertical
3819.6	-75.54	4.04	34.00	-25.76	-13	-12.76	Horizontal
5729.4	-75.21	5.24	36.04	-22.19	-13	-9.19	Vertical
5729.4	-73.6	5.24	36.04	-20.58	-13	-7.58	Horizontal
233.3	-61.76	1.34	15.77	-32.91	-13	-19.91	Vertical
270.1	-60.15	1.59	17.22	-29.60	-13	-16.60	Horizontal

**Remark:**

1. We were tested all Configuration refer 3GPP TS134 121.
2. Spurious Emission Level = Spectrum Analyzer Read Value + Cable Loss+ Antenna Factor + 11.74
3. Margin = Spurious Emission Level - Limit

<b>WCDMA Band II</b>							
Frequency (MHz)	Spectrum Analyzer (dBm)	Cable Loss (dB)	Antenna Factor (dB/m)	Spurious Emission Level (dBm)	Limit (dBm)	Margin (dB)	Polarity
Test Results for Channel 9262/1852.4MHz							
3704.8	-77.26	4.04	33.51	-27.97	-13	-14.97	Vertical
3704.8	-74.49	4.04	33.51	-25.20	-13	-12.20	Horizontal
5557.2	-71.46	5.24	35.84	-18.64	-13	-5.64	Vertical
5557.2	-74.01	5.24	35.84	-21.19	-13	-8.19	Horizontal
210.8	-60.11	1.52	17.75	-29.10	-13	-16.10	Vertical
259.6	-65.52	1.40	17.33	-35.05	-13	-22.05	Horizontal
Test Results for Channel 9400/1880MHz							
3760	-72.64	4.04	33.56	-23.30	-13	-10.30	Vertical
3760	-73.39	4.04	33.56	-24.05	-13	-11.05	Horizontal
5640	-77.56	5.24	35.91	-24.67	-13	-11.67	Vertical
5640	-71.68	5.24	35.91	-18.79	-13	-5.79	Horizontal
158.0	-61.15	1.70	16.16	-31.55	-13	-18.55	Vertical
239.8	-57.03	1.80	15.21	-28.28	-13	-15.28	Horizontal
Test Results for Channel 9538/1907.6MHz							
3815.2	-73.21	4.04	34.00	-23.43	-13	-10.43	Vertical
3815.2	-68.68	4.04	34.00	-18.90	-13	-5.90	Horizontal
5722.8	-75.98	5.24	36.04	-22.96	-13	-9.96	Vertical
5722.8	-78.04	5.24	36.04	-25.02	-13	-12.02	Horizontal
234.2	-61.13	1.63	16.32	-31.44	-13	-18.44	Vertical
89.4	-63.60	1.47	15.50	-34.89	-13	-21.89	Horizontal

Remark:

1. We were tested all Configuration refer 3GPP TS134 121.
2. Spurious Emission Level = Spectrum Analyzer Read Value + Cable Loss+ Antenna Factor + 11.74
3. Margin = Spurious Emission Level - Limit

<b>WCDMA Band IV</b>							
Frequency (MHz)	Spectrum Analyzer (dBm)	Cable Loss (dB)	Antenna Factor (dB/m)	Spurious Emission Level (dBm)	Limit (dBm)	Margin (dB)	Polarity
<b>Test Results for Channel 1312/1712.4MHz</b>							
3424.8	-70.56	4.02	29.80	-25.00	-13	-12.00	Vertical
3424.8	-71.17	4.02	29.80	-25.61	-13	-12.61	Horizontal
5137.2	-77.46	5.24	35.84	-24.64	-13	-11.64	Vertical
5137.2	-74.04	5.24	35.84	-21.22	-13	-8.22	Horizontal
237.4	-66.02	1.73	17.85	-34.70	-13	-21.70	Vertical
143.7	-67.05	1.42	17.22	-36.67	-13	-23.67	Horizontal
<b>Test Results for Channel 1413/1732.6MHz</b>							
3465.2	-65.07	4.03	30.00	-19.30	-13	-6.30	Vertical
3465.2	-73.6	4.03	30.00	-27.83	-13	-14.83	Horizontal
5197.8	-70.71	5.25	35.86	-17.86	-13	-4.86	Vertical
5197.8	-74.24	5.25	35.86	-21.39	-13	-8.39	Horizontal
189.3	-61.90	1.60	17.86	-30.70	-13	-17.70	Vertical
240.6	-61.45	1.41	15.61	-32.69	-13	-19.69	Horizontal
<b>Test Results for Channel 1513/1752.6MHz</b>							
3505.2	-67.29	2.91	27.68	-24.96	-13	-11.96	Vertical
3505.2	-71.63	2.91	27.68	-29.30	-13	-16.30	Horizontal
5257.8	-79.37	5.26	35.86	-26.51	-13	-13.51	Vertical
5257.8	-70.73	5.26	35.86	-17.87	-13	-4.87	Horizontal
254.3	-63.12	1.48	15.46	-34.44	-13	-21.44	Vertical
178.8	-60.95	1.49	17.08	-30.64	-13	-17.64	Horizontal

**Remark:**

1. We were tested all Configuration refer 3GPP TS134 121.
2. Spurious Emission Level = Spectrum Analyzer Read Value + Cable Loss+ Antenna Factor + 11.74
3. Margin = Spurious Emission Level - Limit

## 7.2 EFFECTIVE RADIATED POWER AND EFFECTIVE ISOTROPIC RADIATED POWER

### 7.2.1 Applicable Standard

According to FCC KDB 971168 D01 v03 Section 5.2.1/ Section 5.2.2.2 and ANSI/TIA-603-E-2016 Section 2.2.17

### 7.2.2 Conformance Limit

The substitution method, in ANSI/TIA-603-E-2016, was used for ERP/EIRP measurement, and the spectrum analyzer configuration follows KDB 971168 D01 Power Meas. License Digital Systems v03r01. The ERP of mobile transmitters must not exceed 7 Watts (Cellular Band) and the EIRP of mobile transmitters are limited to 2 Watts (PCS Band) and the EIRP of mobile transmitters are limited to 1 Watts (AWS Band).

### 7.2.3 Measuring Instruments

The Measuring equipment is listed in the section 6.3 of this test report.

### 7.2.4 Test Configuration

(a) For E.R.P and E.I.R.P Measurements  
Please refer to the section 7.1.4 in this report.

### 7.2.5 Test Procedure

The measurements procedures specified in ANSI/TIA-603-E-2016 were applied. In an anechoic antenna test chamber, a half-wave dipole antenna for the frequency band of interest is placed at the reference centre of the chamber. An RF Signal source for the frequency band of interest is connected to the dipole with a cable that has been constructed to not interfere with the radiation pattern of the antenna. A known (measured) power ( $P_{in}$ ) is applied to the input of the dipole, and the power received ( $P_r$ ) at the chamber's probe antenna is recorded.

The relevant equation for determining the ERP or EIRP from the conducted RF output power measured using the guidance provided above is:

$$\text{ERP/EIRP} = \text{SGLevel} - \text{Pcl} + \text{Ga}$$

where:

ERP/EIRP = effective or equivalent radiated power, respectively (expressed in the same units as SGLevel, typically dBW or dBm);

SGLevel = Signal generator output power or PSD, in dBm or dBW;

Ga = gain of the transmitting antenna, in dBd (ERP) or dBi (EIRP);

Pcl = signal attenuation in the connecting cable between the transmitter and antenna, in dB.<sup>2</sup>

The EUT is substituted for the dipole at the reference centre of the chamber and a scan is performed to obtain the radiation pattern.

From the radiation pattern, the co-ordinates where the maximum antenna gain occurs are identified.

The EUT is then put into continuously transmitting mode at its maximum power level.

Power mode measurements are performed with the receiving antenna placed at the coordinates determined in Step 3 to determine the output power as defined in Rule 24.232 (b) and (c). The "reference path loss" from Step1 is added to this result.

This value is EIRP since the measurement is calibrated using a half-wave dipole antenna of known gain (2.15 dBi) and known input power ( $P_{in}$ ).

ERP can be calculated from EIRP by subtracting the gain of the dipole,  $\text{ERP} = \text{EIRP} - 2.15\text{dBi}$ .

Both horizontal and vertical antenna polarities were tested and performed pretest to three orthogonal axis. The worst case emissions were reported.

Substitution antenna and Receiving Antenna:

Item	Kind of Equipment	Manufacturer	Type No.	Serial No.	Character	Note
1	Bilog Antenna	TESEQ	CBL6111D	31216	30MHz~2GHz	Receiving Antenna
2	Horn Antenna	EM	EM-AH-10180	2011071402	1GHz~18GHz	Receiving Antenna
3	Bilog Antenna	TESEQ	CBL6111D	31216	30MHz~2GHz	Substitution antenna
4	Horn Antenna	EM	EM-AH-10180	2011071402	1GHz~18GHz	Substitution antenna

Use the following spectrum analyzer settings:

	GSM/GPRS/EGPRS	UMTS band/ CDMA2000
Span	500KHz	10MHz
RBW	10KHz	300KHz
VBW	30KHz	1MHz
Detector	RMS	RMS
Trace	Average	Average
Average Type	Power	Power
Sweep Count	100	100



**7.2.6 Test Results**

EUT:	Smart phone	Model No.:	UNI 10X
Temperature:	20 °C	Relative Humidity:	48%
Test Mode:	GSM/GPRS/EGPRS 850, GSM/GPRS/EGPRS 1900, UMTS band II/ UMTS band V/ UMTS band IV	Test By:	Mukzi Lee

■ Effective Radiated Power

Radiated Power (ERP) for GSM850							
Frequency	Polarization	SG	Pcl	Ga	Correction	ERP	ERP
(MHz)		Level	(dB)	Antenna Gain		(dBm)	(W)
824.2	H	12.40	2.11	23.84	2.15	31.98	1.577611
836.4	H	13.12	2.13	23.15	2.15	31.99	1.581248
848.8	H	13.22	2.13	23.06	2.15	32.00	1.584893
824.2	V	13.04	2.11	23.11	2.15	31.89	1.545254
836.4	V	13.16	2.13	23.07	2.15	31.95	1.566751
848.8	V	13.01	2.13	23.25	2.15	31.98	1.577611

Radiated Power (ERP) for GPRS850							
Frequency	Polarization	SG	Pcl	Ga	Correction	ERP	ERP
(MHz)		Level	(dB)	Antenna Gain		(dBm)	(W)
824.2	H	12.23	2.11	23.84	2.15	31.81	1.517050
836.4	H	12.96	2.13	23.15	2.15	31.83	1.524053
848.8	H	13.04	2.13	23.06	2.15	31.82	1.520548
824.2	V	12.88	2.11	23.11	2.15	31.73	1.489361
836.4	V	12.95	2.13	23.07	2.15	31.74	1.492794
848.8	V	12.78	2.13	23.25	2.15	31.75	1.496236

Radiated Power (ERP) for EGPRS850							
Frequency	Polarization	SG Level	Pcl	Ga Antenna Gain	Correction	ERP	ERP
(MHz)		(dBm)	(dB)	(dBi)	(dB)	(dBm)	(W)
824.2	H	7.06	2.11	23.84	2.15	26.64	0.461318
836.4	H	7.30	2.13	23.15	2.15	26.17	0.414000
848.8	H	7.34	2.13	23.06	2.15	26.12	0.409261
824.2	V	7.69	2.11	23.11	2.15	26.54	0.450817
836.4	V	7.25	2.13	23.07	2.15	26.04	0.401791
848.8	V	7.02	2.13	23.25	2.15	25.99	0.397192

Radiated Power (ERP) for UMTS band V							
Frequency	Polarization	SG Level	Pcl	Ga Antenna Gain	Correction	ERP	ERP
(MHz)		(dBm)	(dB)	(dBi)	(dB)	(dBm)	(W)
826.4	H	3.62	2.11	23.84	2.15	23.20	0.208930
836.4	H	4.17	2.13	23.15	2.15	23.04	0.201372
846.6	H	4.20	2.13	23.06	2.15	22.98	0.198609
826.4	V	4.32	2.11	23.11	2.15	23.17	0.207491
836.4	V	4.22	2.13	23.07	2.15	23.01	0.199986
846.6	V	3.94	2.13	23.25	2.15	22.91	0.195434

Radiated Power (E.I.R.P) for GSM1900						
Frequency	Polarization	SG Level	Pcl	Ga Antenna Gain	EIRP	EIRP
(MHz)		(dBm)	(dB)	(dBi)	(dBm)	(W)
1850.2	H	4.38	3.76	28.24	28.86	0.769130
1880	H	4.51	3.91	28.22	28.82	0.762079
1909.8	H	4.43	3.93	28.20	28.70	0.741310
1850.2	V	5.19	3.76	27.32	28.75	0.749894
1880	V	5.38	3.91	27.33	28.80	0.758578
1909.8	V	5.18	3.93	27.31	28.56	0.717794

Radiated Power (E.I.R.P) for GPRS1900						
Frequency	Polarization	SG Level	Pcl	Ga Antenna Gain	EIRP	EIRP
(MHz)		(dBm)	(dB)	(dBi)	(dBm)	(W)
1850.2	H	4.33	3.76	28.24	28.81	0.760326
1880	H	4.48	3.91	28.22	28.79	0.756833
1909.8	H	4.40	3.93	28.20	28.67	0.736207
1850.2	V	5.18	3.76	27.32	28.74	0.748170
1880	V	5.23	3.91	27.33	28.65	0.732825
1909.8	V	5.26	3.93	27.31	28.64	0.731139

Radiated Power (E.I.R.P) for EGPRS1900						
Frequency	Polarization	SG Level	Pcl	Ga Antenna Gain	EIRP	EIRP
(MHz)		(dBm)	(dB)	(dBi)	(dBm)	(W)
1850.2	H	1.84	3.76	28.24	26.32	0.428549
1880	H	1.75	3.91	28.22	26.06	0.403645
1909.8	H	1.87	3.93	28.20	26.14	0.411150
1850.2	V	2.62	3.76	27.32	26.18	0.414954
1880	V	2.57	3.91	27.33	25.99	0.397192
1909.8	V	2.71	3.93	27.31	26.09	0.406443

Radiated Power (E.I.R.P) for UMTS band II						
Frequency	Polarization	SG	Pcl	Ga	EIRP	EIRP
(MHz)		Level	(dB)	Antenna	(dBm)	(W)
		(dBm)		Gain		
1852.4	H	-0.95	3.76	28.24	23.53	0.225424
1880	H	-0.99	3.91	28.22	23.32	0.214783
1907.6	H	-0.96	3.93	28.20	23.31	0.214289
1852.4	V	-0.10	3.76	27.32	23.46	0.221820
1880	V	-0.15	3.91	27.33	23.27	0.212324
1907.6	V	-0.09	3.93	27.31	23.29	0.213304

Radiated Power (E.I.R.P) for UMTS band IV						
Frequency	Polarization	SG	Pcl	Ga	EIRP	EIRP
(MHz)		Level	(dB)	Antenna	(dBm)	(W)
		(dBm)		Gain		
1712.4	H	-0.96	3.13	27.63	23.54	0.225944
1732.4	H	-0.52	3.27	27.61	23.82	0.240991
1752.6	H	-0.42	3.30	27.60	23.88	0.244343
1712.4	V	-1.02	3.13	27.63	23.48	0.222844
1732.4	V	-0.53	3.27	27.61	23.81	0.240436
1752.6	V	-0.51	3.30	27.60	23.79	0.239332

### 7.3 CONDUCTED OUTPUT POWER

#### 7.3.1 Applicable Standard

According to FCC Part 2.1046 and FCC Part 22.913(a)(2)) and FCC KDB 971168 D01 v03 Section 5.2

#### 7.3.2 Conformance Limit

Extend coverage on a secondary basis into cellular unserved areas, as those areas are defined in §22.949, the ERP of base transmitters and cellular repeaters of such systems must not exceed 1000 Watts. The ERP of mobile transmitters and auxiliary test transmitters must not exceed 7 Watts(38.5dBm).

Mobile and portable stations are limited to 2 watts (33dBm)EIRP and the equipment must employ a means for limiting power to the minimum necessary for successful communications..

#### 7.3.3 Measuring Instruments

The Measuring equipment is listed in the section 6.3 of this test report.

#### 7.3.4 Test Setup

Please refer to Section 6.1 of this test report.

#### 7.3.5 Test Procedure

Connect the EUT to Universal Radio Communication Tester CMU200 or CMU500 via the antenna connector. A call is set up by the SS according to the generic call set up procedure on a channel with ARFCN in the ARFCN range, power control level set to Max power. The frequency band is set as selected frequency, The RF output of the transmitter was connected to base station simulator.

Set EUT at maximum average power by base station simulator.

Set RBW = 1-5% of the OBW, not to exceed 1 MHz.

Set VBW  $\geq 3 \times$  RBW.

Number of points in sweep  $\geq 2 \times$  span / RBW. (This gives bin-to-bin spacing  $\leq$  RBW/2, so that narrowband signals are not lost between frequency bins.)

Sweep time = auto.

Detector = RMS (power averaging).

Set sweep trigger to "free run".

Trace average at least 100 traces in power averaging (i.e., RMS) mode; however, the number of traces to be averaged shall be increased above 100 as needed such that the average accurately represents the true average over the on and off periods of the transmitter.

Compute power by integrating the spectrum across the OBW of the signal using the instrument's band power measurement function with band limits set equal to the OBW band edges. If the instrument does not have a band power function, sum the spectrum levels (in power units) at intervals equal to the RBW extending across the entire OBW of the spectrum.

Add  $10 \log(1/x)$ , where  $x$  is the duty cycle, to the measured power in order to compute the average power during the actual transmission times (because the measurement represents an average over both the on and off times of the transmission). For example, add  $10 \log(1/0.25) = 6$  dB if the duty cycle is a constant 25%.

Measure lowest, middle, and highest channels for each bandwidth and different modulation.

Measure and record the results in the test report.

**7.3.6 Test Results**

EUT:	Smart phone	Model No.:	UNI 10X
Temperature:	20 °C	Relative Humidity:	48%
Test Mode:	GSM/GPRS/EGPRS 850, GSM/GPRS/EGPRS 1900, UMTS band II/ UMTS band V/ UMTS band IV,	Test By:	Mukzi Lee

Test data reference attachment

**7.4 FREQUENCY STABILITY**

**7.4.1 Applicable Standard**

According to FCC Part 2.1055 and FCC Part 22.355 and FCC KDB 971168 D01 Section 9.0

**7.4.2 Conformance Limit**

The frequency stability shall be measured by variation of ambient temperature and variation of primary supply voltage to ensure that the fundamental emission stays within the authorized frequency block. The frequency stability of the transmitter shall be maintained within  $\pm 0.00025\%$  ( $\pm 2.5\text{ppm}$ ) of the center frequency.

**7.4.3 Measuring Instruments**

The Measuring equipment is listed in the section 6.3 of this test report.

**7.4.4 Test Setup**

Please refer to Section 6.1 of this test report.

**7.4.5 Test Procedure**

Connect the EUT to Universal Radio Communication Tester CMU200 or CMW500 via the antenna connector. A call is set up by the SS according to the generic call set up procedure on a channel with ARFCN in the ARFCN range, power control level set to Max power. MS TXPWR\_MAX\_CCH is set to the maximum value supported by the Power Class of the Mobile under test.

EUT was placed at temperature chamber and connected to an external power supply.

Temperature and voltage condition shall be tested to confirm frequency stability.

For Temperature Variation

1. The testing follows FCC KDB 971168 D01 v03 Section 9.0.
2. The EUT was set up in the thermal chamber and connected with the system simulator.
3. With power OFF, the temperature was decreased to  $-30^{\circ}\text{C}$  and the EUT was stabilized before testing. Power was applied and the maximum change in frequency was recorded within one minute.
4. With power OFF, the temperature was raised in  $10^{\circ}\text{C}$  steps up to  $50^{\circ}\text{C}$ . The EUT was stabilized at each step for at least half an hour. Power was applied and the maximum frequency change was recorded within one minute.

For Voltage Variation

1. The testing follows FCC KDB 971168 D01 v03 Section 9.0.
2. The EUT was placed in a temperature chamber at  $25\pm 5^{\circ}\text{C}$  and connected with the system simulator.
3. The power supply voltage to the EUT was varied from 85% to 115% of the nominal value measured at the input to the EUT.
4. The variation in frequency was measured for the worst case.

**7.4.6 Test Results**

EUT:	Smart phone	Model No.:	UNI 10X
Temperature:	20 °C	Relative Humidity:	48%
Test Mode:	GSM/GPRS/EGPRS 850, GSM/GPRS/EGPRS 1900, UMTS band II/ UMTS band V/ UMTS band IV,	Test By:	Mukzi Lee
Results: PASS			

Frequency Error Against Voltage for GSM 850 band(Mid CH)		
Voltage (V)	Frequency Error (Hz)	Frequency Error (ppm)
3.4	9.9	0.011836
3.85	9.19	0.010988
4.2	6.91	0.008262

Frequency Error Against Temperature for GSM 850 band(Mid CH)		
Temperature (°C)	Frequency Error (Hz)	Frequency Error (ppm)
-30	5.55	0.006636
-20	7.31	0.008740
-10	8.88	0.010617
0	6.39	0.007640
10	8.67	0.010366
20	8.93	0.010677
30	9.17	0.010964
40	6.23	0.007449
50	12.28	0.014682

Frequency Error Against Voltage for GPRS850 band(Mid CH)		
Voltage (V)	Frequency Error (Hz)	Frequency Error (ppm)
3.4	6.28	0.007508
3.85	8.35	0.009983
4.2	9.18	0.010976

Frequency Error Against Temperature for GPRS850 band(Mid CH)		
Temperature (°C)	Frequency Error (Hz)	Frequency Error (ppm)
-30	6.65	0.007951
-20	6.1	0.007293
-10	9.59	0.011466
0	6.05	0.007233
10	8.23	0.009840
20	8.44	0.010091
30	6.96	0.008321
40	6.47	0.007736
50	13.9	0.016619



Frequency Error Against Voltage for EGPRS850 band(Mid CH)		
Voltage (V)	Frequency Error (Hz)	Frequency Error (ppm)
3.4	7.4	0.008847
3.85	7.81	0.009338
4.2	9.33	0.011155

Frequency Error Against Temperature for EGPRS850 band(Mid CH)		
Temperature (°C)	Frequency Error (Hz)	Frequency Error (ppm)
-30	4.44	0.005308
-20	7.77	0.009290
-10	7.67	0.009170
0	6.71	0.008022
10	8.55	0.010222
20	10	0.011956
30	9.9	0.011836
40	7.47	0.008931
50	13.8	0.016499

Note:

1. Normal Voltage = 3.85V; Battery End Point (BEP) = 3.4V; Maximum Voltage =4.2V
2. The frequency fundamental emissions stay within the authorized frequency block based on the frequency deviation measured is small.

Frequency Error Against Voltage for UMTS band V(Mid CH)		
Voltage (V)	Frequency Error (Hz)	Frequency Error (ppm)
3.4	-18.85	0.022537
3.85	-17.81	0.021294
4.2	-18.17	0.021724

Frequency Error Against Temperature for UMTS band V (Mid CH)		
Temperature (°C)	Frequency Error (Hz)	Frequency Error (ppm)
-30	-19.88	0.023769
-20	-17.57	0.021007
-10	-15.32	0.018317
0	-19.82	0.023697
10	-18.61	0.022250
20	-17.98	0.021497
30	-17.47	0.020887
40	-19.13	0.022872
50	-21.07	0.025191

Note:

1. Normal Voltage = 3.85V; Battery End Point (BEP) = 3.4V; Maximum Voltage =4.2V
2. The frequency fundamental emissions stay within the authorized frequency block based on the frequency deviation measured is small.

Frequency Error Against Voltage for PCS 1900 band (Mid CH)		
Voltage (V)	Frequency Error (Hz)	Frequency Error (ppm)
3.4	18.66	0.009926
3.85	18.71	0.009952
4.2	16.09	0.008559

Frequency Error Against Temperature for PCS 1900 band (Mid CH)		
Temperature (°C)	Frequency Error (Hz)	Frequency Error (ppm)
-30	18.66	0.009926
-20	18.71	0.009952
-10	16.09	0.008559
0	18.66	0.009926
10	18.71	0.009952
20	16.09	0.008559
30	18.66	0.009926
40	18.71	0.009952
50	16.09	0.008559

Frequency Error Against Voltage for GPRS1900 band (Mid CH)		
Voltage (V)	Frequency Error (Hz)	Frequency Error (ppm)
3.4	17.24	0.009170
3.85	19.89	0.010580
4.2	18.94	0.010074

Frequency Error Against Temperature for GPRS1900 band (Mid CH)		
Temperature (°C)	Frequency Error (Hz)	Frequency Error (ppm)
-30	19.89	0.010580
-20	17.48	0.009298
-10	17.7	0.009415
0	18.58	0.009883
10	19.98	0.010628
20	20.12	0.010702
30	17.35	0.009229
40	16.85	0.008963
50	25.99	0.013824

Frequency Error Against Voltage for EGPRS1900 band (Mid CH)		
Voltage (V)	Frequency Error (Hz)	Frequency Error (ppm)
3.4	15.28	0.008128
3.85	-16.6	-0.008830
4.2	-13.83	-0.007356

Frequency Error Against Temperature for EGPRS1900 band (Mid CH)		
Temperature (°C)	Frequency Error (Hz)	Frequency Error (ppm)
-30	18.5	0.009840
-20	20.8	0.011064
-10	19.78	0.010521
0	18.88	0.010043
10	18.58	0.009883
20	16.69	0.008878
30	20.95	0.011144
40	17.31	0.009207
50	24.08	0.012809

Note:

1. Normal Voltage = 3.85V; Battery End Point (BEP) = 3.4V; Maximum Voltage =4.2V
2. The frequency fundamental emissions stay within the authorized frequency block based on the frequency deviation measured is small.

Frequency Error Against Voltage for UMTS band II (Mid CH)		
Voltage (V)	Frequency Error (Hz)	Frequency Error (ppm)
3.4	-17.29	0.009197
3.85	-16.36	0.008702
4.2	-15.49	0.008239

Frequency Error Against Temperature for UMTS band II (Mid CH)		
Temperature (°C)	Frequency Error (Hz)	Frequency Error (ppm)
-30	-19.84	0.010553
-20	-17.26	0.009181
-10	-16.92	0.009000
0	-19.96	0.010617
10	-18.65	0.009920
20	-16.51	0.008782
30	-19.4	0.010319
40	-18.96	0.010085
50	-20.17	0.010729

Frequency Error Against Voltage for UMTS band IV (Mid CH)		
Voltage (V)	Frequency Error (Hz)	Frequency Error (ppm)
3.27	-14.42	0.008324
3.85	-10.86	0.006269
4.43	-18.31	0.010569

Frequency Error Against Temperature for UMTS band IV (Mid CH)		
Temperature (°C)	Frequency Error (Hz)	Frequency Error (ppm)
-30	-9.47	0.005466
-20	-14.36	0.008289
-10	-11.7	0.006754
0	-12.13	0.007002
10	-12.4	0.007158
20	-15.15	0.008745
30	-15.83	0.009138
40	-17.92	0.010344
50	-18.76	0.010829

Note:

1. Normal Voltage = 3.85V; Battery End Point (BEP) = 3.4V; Maximum Voltage = 4.2V
2. The frequency fundamental emissions stay within the authorized frequency block based on the frequency deviation measured is small.

## 7.5 PEAK-TO-AVERAGE RATIO

### 7.5.1 Applicable Standard

According to Subclause 5.2.3.4 of ANSI C63.26-2015 and FCC KDB 971168 D01 Section 5.7.1

### 7.5.2 Conformance Limit

The peak-to-average power ratio (PAPR) of the transmitter output power must not exceed 13 dB. The PAPR measurements should be made using either an instrument with complementary cumulative distribution function (CCDF) capabilities to determine that PAPR will not exceed 13 dB for more than 0.1 percent of the time or other Commission approved procedure. The measurement must be performed using a signal corresponding to the highest PAPR expected during periods of continuous transmission.

### 7.5.3 Measuring Instruments

The Measuring equipment is listed in the section 6.3 of this test report.

### 7.5.4 Test Setup

Please refer to Section 6.1 of this test report.

### 7.5.5 Test Procedure

The EUT was connected to Spectrum Analyzer and Base Station via power divider.

The RF output of EUT was connected to the spectrum analyzer by RF cable and attenuator. The path loss was compensated to the results for each measurement.

Set the number of counts to a value that stabilizes the measured CCDF curve.

Set the measurement interval to 1 ms.

Record the maximum PAPR level associated with a probability of 0.1%.

a) Refer to instrument's analyzer instruction manual for details on how to use the power statistics/CCDF function;

b) Set resolution/measurement bandwidth  $\geq$  signal's occupied bandwidth;

c) Set the number of counts to a value that stabilizes the measured CCDF curve;

d) Set the measurement interval as follows:

1) for continuous transmissions, set to 1 ms,

2) for burst transmissions, employ an external trigger that is synchronized with the EUT burst timing sequence, or use the internal burst trigger with a trigger level that allows the burst to stabilize and set the measurement interval to a time that is less than or equal to the burst duration.

e) Record the maximum PAPR level associated with a probability of 0.1%.

**7.5.6 Test Results**

EUT:	Smart phone	Model No.:	UNI 10X
Temperature:	20 °C	Relative Humidity:	48%
Test Mode:	GSM/GPRS/EGPRS 850, GSM/GPRS/EGPRS 1900, UMTS band II/ UMTS band V/ UMTS band IV,	Test By:	Mukzi Lee
Results: PASS			

The Test data reference attachment:

## 7.6 26DB BANDWIDTH AND 99% OCCUPIED BANDWIDTH

### 7.6.1 Applicable Standard

According to FCC Part 2.1049 and FCC Part 22H and FCC KDB 971168 D01 Section 4

### 7.6.2 Conformance Limit

The occupied bandwidth is the width of a frequency band such that, below the lower and above the upper frequency limits, the mean powers emitted are each equal to a specified percentage 0.5% of the total mean transmitted power.

The 26 dB emission bandwidth is defined as the frequency range between two points, one above and one below the carrier frequency, at which the spectral density of the emission is attenuated 26 dB below the maximum in-band spectral density of the modulated signal. Spectral density (power per unit bandwidth) is to be measured with a detector of resolution bandwidth equal to approximately 1.0% of the emission bandwidth.

### 7.6.3 Measuring Instruments

The Measuring equipment is listed in the section 6.3 of this test report.

### 7.6.4 Test Setup

Please refer to Section 6.1 of this test report.

### 7.6.5 Test Procedure

The testing follows FCC KDB 971168 v03 Section 4.

The EUT was connected to Spectrum Analyzer and Base Station via power divider.

The RF output of EUT was connected to the spectrum analyzer by RF cable and attenuator. The path loss was compensated to the results for each measurement.

The spectrum analyzer center frequency is set to the nominal EUT channel center frequency. The span range for the spectrum analyzer shall be between two and five times the anticipated OBW.

The nominal resolution bandwidth (RBW) shall be in the range of 1 to 5 % of the anticipated OBW, and the VBW shall be at least 3 times the RBW.

Set the detection mode to peak, and the trace mode to max hold.

Determine the reference value: Set the EUT to transmit a modulated signal. Allow the trace to stabilize. Set the spectrum analyzer marker to the highest level of the displayed trace.

(this is the reference value)

Determine the “-26 dB down amplitude” as equal to (Reference Value – X).

Place two markers, one at the lowest and the other at the highest frequency of the envelope of the spectral display such that each marker is at or slightly below the “-X dB down amplitude” determined in step 6. If a marker is below this “-X dB down amplitude” value it shall be placed as close as possible to this value. The OBW is the positive frequency difference between the two markers.

Use the 99 % power bandwidth function of the spectrum analyzer and report the measured bandwidth.

**7.6.6 Test Results**

EUT:	Smart phone	Model No.:	UNI 10X
Temperature:	20 °C	Relative Humidity:	48%
Test Mode:	GSM/GPRS/EGPRS 850, GSM/GPRS/EGPRS 1900, UMTS band II/ UMTS band V/ UMTS band IV,	Test By:	Mukzi Lee
Results: PASS			

The Test data reference attachment:



**7.7 CONDUCTED BAND EDGE**

**7.7.1 Applicable Standard**

According to FCC Part 2.1051 and FCC Part 22.917(a) and FCC KDB 971168 D01 Section6.

**7.7.2 Conformance Limit**

The power of any emission outside of the authorized operating frequency ranges must be lower than the transmitter power (P) by a factor of at least 43 + 10 log (P) dB.

**7.7.3 Measuring Instruments**

The Measuring equipment is listed in the section 6.3 of this test report.

**7.7.4 Test Setup**

Please refer to Section 6.1 of this test report.

**7.7.5 Test Procedure**

The testing follows FCC KDB 971168 v03 Section 6.  
 The EUT was connected to Spectrum Analyzer and Base Station via power divider.  
 The RF output of EUT was connected to the spectrum analyzer by RF cable and attenuator.  
 The path loss was compensated to the results for each measurement.  
 The band edges of low and high channels for the highest RF powers were measured.  
 The RF fundamental frequency should be excluded against the limit line in the operating frequency band.  
 The limit line is derived from 43 + 10log(P) dB below the transmitter power P(Watts)  
 = P(W) - [43 + 10log(P) ] (dB)  
 = [30 + 10log(P)] (dBm) - [43 + 10log(P) ] (dB)  
 = -13dBm.

**7.7.6 Test Results**

EUT:	Smart phone	Model No.:	UNI 10X
Temperature:	20 °C	Relative Humidity:	48%
Test Mode:	GSM/GPRS/EGPRS 850, GSM/GPRS/EGPRS 1900, UMTS band II/ UMTS band V/ UMTS band IV	Test By:	Mukzi Lee
Results: PASS			

The Test data reference attachment:

## 7.8 CONDUCTED SPURIOUS EMISSION AT ANTENNA TERMINAL

### 7.8.1 Applicable Standard

According to FCC Part 2.1051 and FCC Part 22.917(a) and FCC KDB 971168 D01 Section6.

### 7.8.2 Conformance Limit

The power of any emission outside of the authorized operating frequency ranges must be lower than the transmitter power (P) by a factor of at least  $43 + 10 \log(P)$  dB.

It is measured by means of a calibrated spectrum analyzer and scanned from 30 MHz up to a frequency including its 10th harmonic.

### 7.8.3 Measuring Instruments

The Measuring equipment is listed in the section 6.3 of this test report.

### 7.8.4 Test Setup

Please refer to Section 6.1 of this test report.

### 7.8.5 Test Procedure

The testing follows FCC KDB 971168 v03 Section 6.

The EUT was connected to Spectrum Analyzer and Base Station via power divider.

The RF output of EUT was connected to the spectrum analyzer by RF cable and attenuator.

The path loss was compensated to the results for each measurement.

The middle channel for the highest RF power within the transmitting frequency was measured.

The conducted spurious emission for the whole frequency range was taken.

The RF fundamental frequency should be excluded against the limit line in the operating frequency band.

The limit line is derived from  $43 + 10\log(P)$  dB below the transmitter power P(Watts)

$$= P(W) - [43 + 10\log(P)] \text{ (dB)}$$

$$= [30 + 10\log(P)] \text{ (dBm)} - [43 + 10\log(P)] \text{ (dB)}$$

$$= -13\text{dBm.}$$

**7.8.6 Test Results**

EUT:	Smart phone	Model No.:	UNI 10X
Temperature:	20 °C	Relative Humidity:	48%
Test Mode:	GSM/GPRS/EGPRS 850, GSM/GPRS/EGPRS 1900, UMTS band II/ UMTS band V/ UMTS band IV,	Test By:	Mukzi Lee
Results: PASS			

The Test data reference attachment:

END OF REPORT