

SUMTV_BOX

4K ANDROID TV™ OTT BOX



Quick Reference Guide

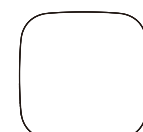
Please read the user manual before operating the TV box

Safety instructions

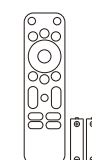
- Presence of live parts inside the device! Do not open. Risk of electric shock!
- No parts should be repaired by users.
- Place the device on a flat, firm and stable surface. Do not put it on a carpet or rug.
- Place the device in a well-ventilated location to prevent the accumulation of internal heat.
- Protect the device from high temperatures, humidity, water and dust.
- Do not place any objects near your device that may damage it (e.g. liquid-filled objects or candles).
- Do not mix old and new batteries and Do not mix alkaline, standard (carbon-zinc) or rechargeable (ni-cab, ni-mh, etc.) batteries.

Accessory List

Please open the package and check the following accessories:



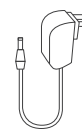
TV Box x1



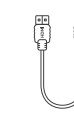
Remote Control x1



User Manual x1



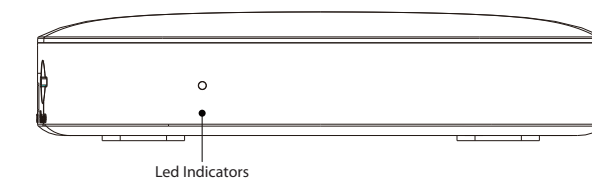
Power Adapter x1



HDMI Cable x1

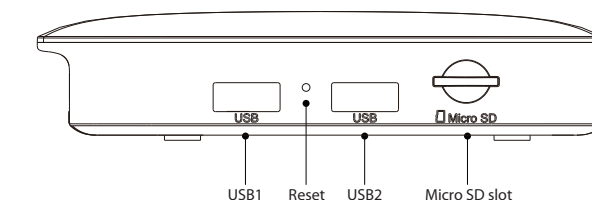
Hardware Structure

• Front Panel



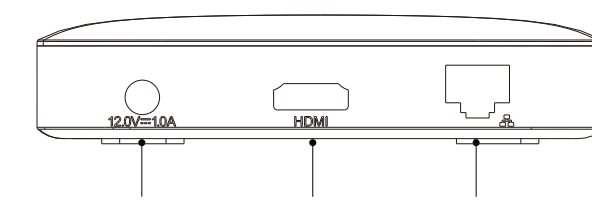
Led Indicators

• Left Side Panel



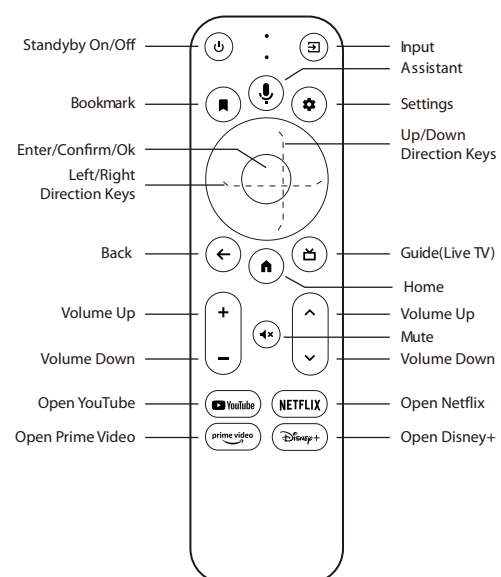
USB1 Reset USB2 Micro SD slot

• Back Panel



DC IN HDMI output Ethernet

Remote Control



Instructions

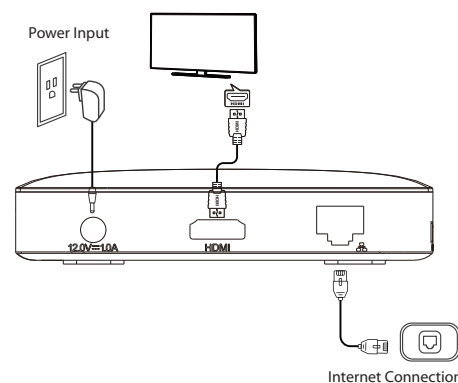
- **Indicator Light:** Pressed any keys and indicator light flashes and the indicator will flash quickly when the voltage is low.
- **Bluetooth Pairing:** Pressed the "OK+ Volume-" keys together on your Remote Control for 10 seconds.
- **Google assistant:** Press the dedicated button on your remote to quickly access entertainment, get answers on screen, and more using your voice.

* Google and Android are trademarks of Google LLC.

System Connection

Please refer to below instructions to connect TV, Power, Network and other devices.

Note: Please turn off all equipment before connecting.



Step1: Connection with TV
Connect HDMI cable to HDMI port of the TV box and TV set.

Step2: Connection with Power
Connect the power adapter to the TV box. After power is on, it can start automatically.

Step3: Set up your device
Follow the on-screen instructions to set up your device.

Step4: Connection with network
The TV box supports both Ethernet and Wi-Fi connections.

- **Ethernet:** Use the Ethernet cable to connect the LAN port of the TV box and the port of the home broadband network.
- **Wi-Fi:** Select your Wi-Fi network & key in the password.

Troubleshooting

- **No display after power on?**
Confirm your device connected to the TV well and set the correct HDMI Input from your TV configuration.
- **TV has images but no sound?**
Make sure your TV is not in mute and low volume.
- **Fail to connect to network?**
Make sure the Ethernet cable is properly connected. Make sure Wi-Fi is functional and your box has a strong enough signal from your router.
- **Remote Control Failure?**
- Replace the battery of the remote control with a new one, and make sure it is placed in the correct polarity.
- Make sure the remote control is within the range of the TV box.
- Go to the Setting menu to unpair and re-pair the remote control.
- **Please use our accessories to avoid any risk.**

Compliance



The terms HDMI, HDMI High-Definition Multimedia interface, and the HDMI Logo are trademarks or registered trademarks of HDMI Licensing Administrator, Inc.

Google, Android, Google Play, YouTube and other marks are trademarks of Google LLC. Netflix is a trademark of Netflix, Inc. All brands contained herein are trademarks of their respective owners.



FCC Statement

This equipment has been tested and found to comply with the limits for a Class B digital device, pursuant to part 15 of the FCC Rules. These limits are designed to provide reasonable protection against harmful interference in a residential installation. This equipment generates, uses and can radiate radio frequency energy and, if not installed and used in accordance with the instructions, may cause harmful interference to radio communications. However, there is no guarantee that interference will not occur in a particular installation. If this equipment does cause harmful interference to radio or television reception, which can be determined by turning the equipment off and on, the user is encouraged to try to correct the interference by one or more of the following measures:
- Reorient or relocate the receiving antenna.
- Increase the separation between the equipment and receiver.
- Connect the equipment into an outlet on a circuit different from that to which the receiver is connected.
- Consult the dealer or an experienced radio/TV technician for help.

FCC Radiation Exposure Statement

This device complies with FCC radiation exposure limits set forth for an uncontrolled environment. This equipment must be installed and operated in accordance with provided instructions and the antenna(s) used for this transmitter must be installed to provide a separation distance of at least 20 cm from all persons.

This device complies with Part 15 of the FCC Rules. Operation is subject to the following two conditions:
(1) this device may not cause harmful interference, and
(2) this device must accept any interference received, including interference that may cause undesired operation.

Caution!

Any changes or modifications not expressly approved by the party responsible for compliance could void the user's authority to operate the equipment.

折叠方式示意图

