

D

C

B

A

6

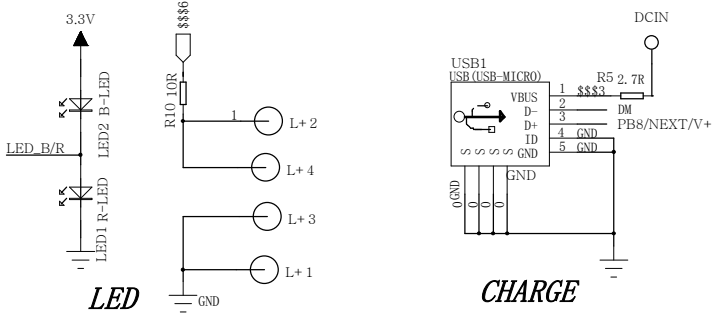
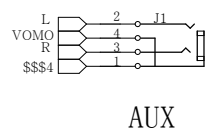
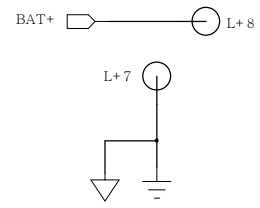
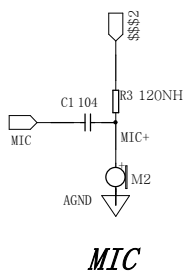
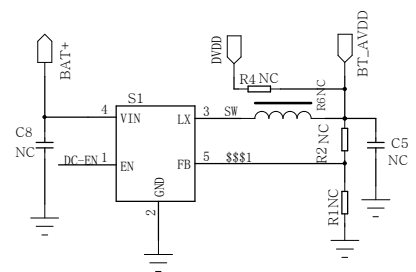
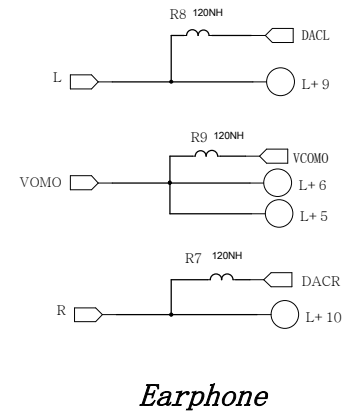
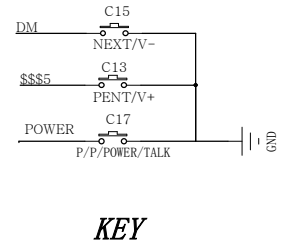
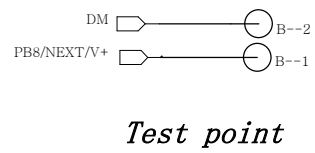
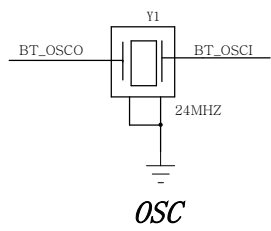
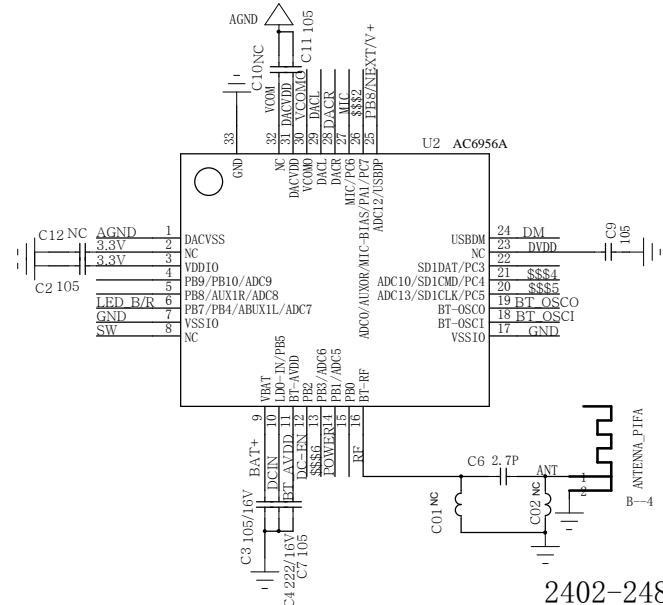
5

4

3

2

1



REVISION RECORD			
LTR	ECO NO:	APPROVED:	DATE:

D

C

B

A