

Product Specifications sheet



Specification No.	202301109001
Effective date	2023/11/9

Customer Name:	龙梓芯
Product Model	无线充发射线圈 (Wireless charging transmitter coil)
DZ Part No.	TX-DZ4005.300.5-K6.3-L21开单槽
Customer item No	

New issue, version revision

【 This specification includes contents and 7 pages in total 】 【 RoHS Compliant Parts 】

organize	Check	Approval
钟建立 Zhong jianli	/	马湘平 Ma xiangping

Guang Dong Top Wiser Electronic Technology Co., Ltd

Factory address:Address; 1F, 1231 Yingbin Avenue, Longmen County
, Huizhou City, Guangdong Province

Tel: 13147097490

【Within 30 days after the customer receives this acknowledgement, please return it with your signature and seal. If it is overdue, it will be deemed that the production will be carried out according to the standards of this acknowledgement】.

【customer approval】

Date:

Recognition status: full recognition conditional recognition refusal

Approval	Review	Recheck	Check

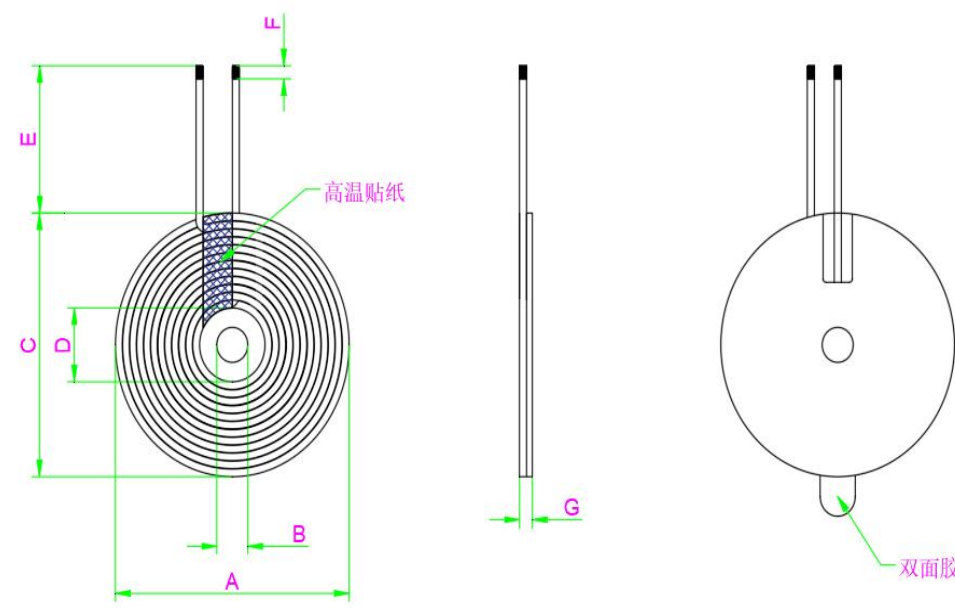
remark:

Product Specifications sheet

Customer Name:	龙梓芯	item	0
DZ Part No.	TX-DZ4005.300.5-K6.3-L21开单槽	Specification No.	202301109001
Issue/Revision History			
Version	Effective date	Change content / reason	Approval
01	2023/11/9	New specification release	钟建立Zhong Jianli
organize		check	approval
钟建立Zhong Jianli		/	马湘平 Ma XiangPing

Product Specifications sheet

Customer Name:	龙梓芯	Customer item No	0		
DZ Part No	TX-DZ4005.300.5-K6.3-L21开单槽	Specification No.	202301109001	Version	01

<p>◆、Overall dimensions</p> 	(unit: mm)	
	A	40.0 ±1.5
	B	5.3 ±1.5
	C	39.0 ±1.5
	D	20.5 ±1.5
	E	21.0 ±2.0
	F	3.0 ±2.0
	G	1.50 ±0.4
	(1)Wire diameter: 0.08 * 24P*2P enameled wire (2)Number of windings: 10TS (3)Whether the starting and ending lines cross: Yes (4)The coil and magnetic sheet shall be pasted in the center (5)Coil wrapped with 8mm high temperature adhesive tape (6) 3M adhesive tape	

◆、Electrical characteristics::				
parameter	specification	Test conditions	Test instrument	
L0	6.3 ±10% μH	100KHz/1V	■TH1816B	
Q	>30 min	100KHz/1V	■TH1816B	
DCR	<95 mΩ	@ 25℃	■CH-502BC	

◆、Temperature class:				
Operating temperature	-40℃~ 125℃			

◆、list of materials:					
Item	Product Name	Material specification	Supplier	Remark	
1	Magnetic sheet	40*5. 3*0. 5T开单槽		PC40	
2	Copper wire	0.08*24*2P		enameled wire	
3	High temperature adhesive tape	棕色8MM		ROHS	
4	tin	107H		ROHS	
5	glue	double sided adhesive tape		ROHS	
6	PET film	黑膜black pet film		ROHS	

organize	check	approval
钟建立 Zhong Jianli	/	马湘平Ma Xiangping